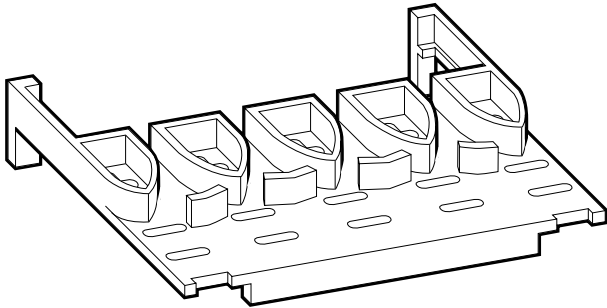




Rear Cable Management Tray



Order No.
25.B0410

Description
Rear Cable Management Tray (3 per box)

PARTS LIST

- (3) Cable Management Trays
- (9) Velcro Tie Wraps

Rear Cable Management Tray Dimensions:
1.5"H x 5.5"W x 3.25"D
(13mm x 140mm x 83mm)

STEP 1

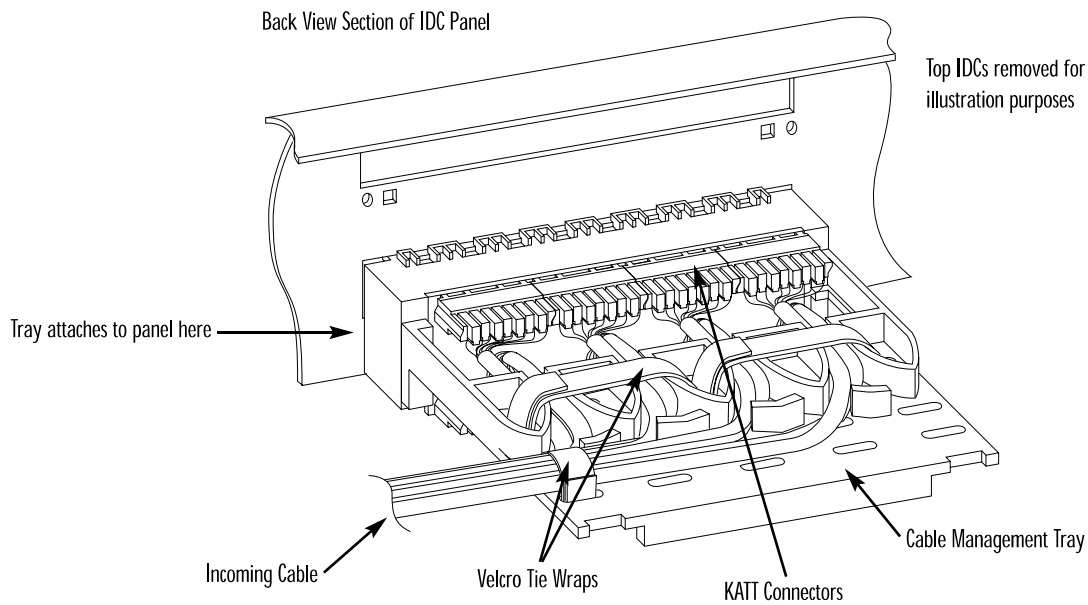
Terminate wires on the patch panel IDCs allowing sufficient slack for routing cable into the cable management tray.

STEP 2

Insert tray just below cable, so that cable will rest on the top of the tray. Affix the tray to the panel using the slots on each side of the channel grouping.

STEP 3

Route cables back from the IDCs into the cable tray (referring to the illustration here).



NOTE:

Molex Premise Networks recommends testing circuits prior to installation of the Rear Cable Management Tray.

MOLEX PREMISE NETWORKS

Corporate Headquarters
Tel: +1 603 324 0200
www.molexpn.com

Western Europe Headquarters
Tel: +44 (0) 1489 572111
www.molexpn.co.uk

Eastern Europe Headquarters
Tel: +48 58 530 62 00
www.molexpn.com.pl

Pac-Rim Headquarters
Tel: +61 3 9971 7111
www.molexpn.com.au