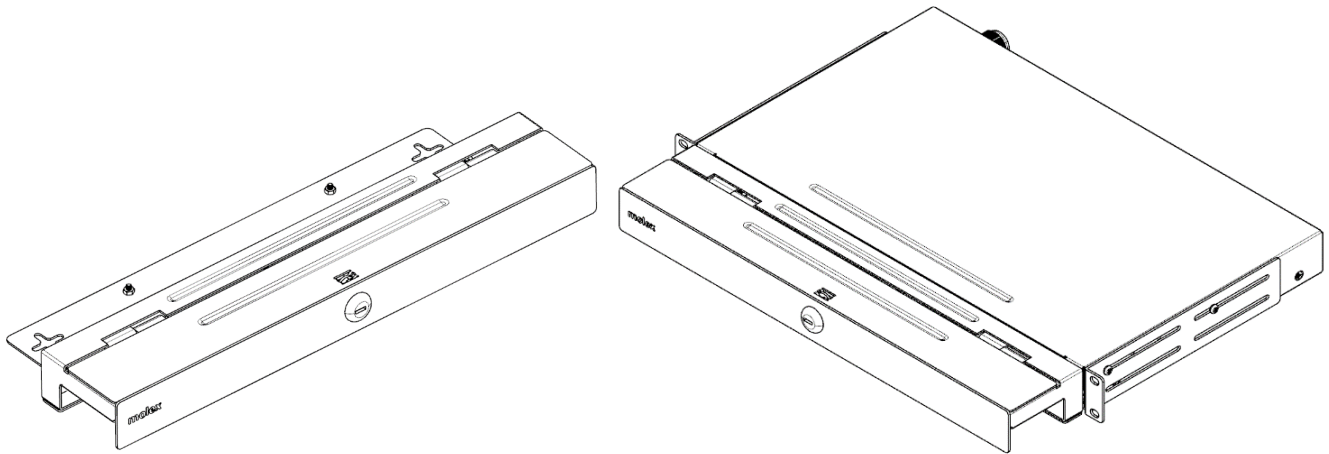


**MFE LOCKING KIT INSTALLATION INSTRUCTIONS**



**1.0 SCOPE**

This instruction sheet covers methods required to move, adjust and operate the MFE locking kit with the Multi-Function Fiber Enclosure.

**2.0 PRODUCT DESCRIPTION**

This retrofitable Locking Kit provides additional security to the Multi-function Enclosure. Allows the enclosure to be secured and reduce unauthorized entry.

**3.0 PREPARATION:**

- Before beginning assembly of the product, make sure all parts are present. If any parts are missing or damaged, do not attempt to assemble the product.
- Make sure the product and accessory parts (listed below) are present, and not damaged.

**CHART FOR ACCESSORIES:**

<u>DESCRIPTON</u>	<u>QTY</u>
PORT ID LABEL MFE LOCKING KIT	1
SCREW M4X8 CSK POZI BZP	3
HEX NUT M4x3mm SS A2	5
WASHER FLAT M4X0.5 STEEL BZP	2
LOCK KEY	2

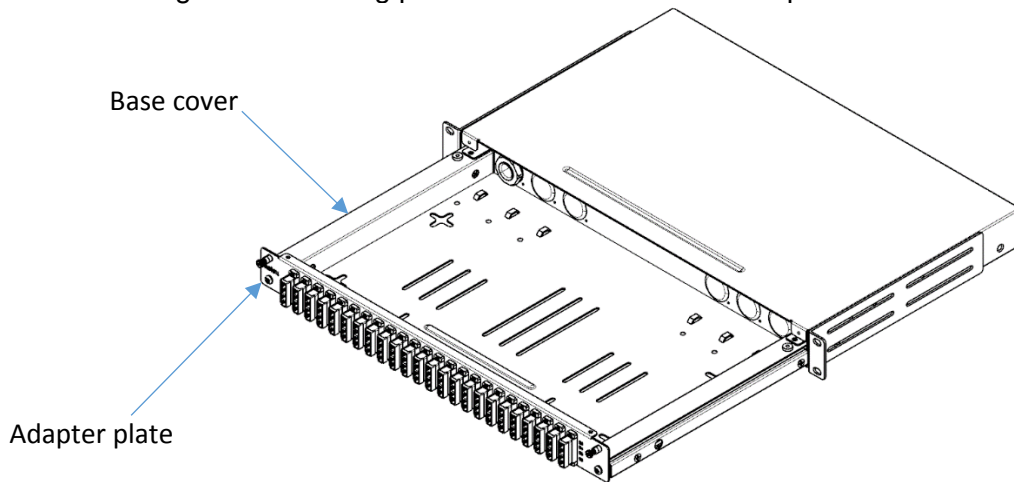
EC/ECM NO: <b>176403</b>	SAP NO : <b>187000495</b>	Doc No: <b>187000495</b> Doc part: <b>AS</b>	REV- <b>A</b>
SAP EC NO: <b>10896951</b>	<a href="http://www.molexces.com/">http://www.molexces.com/</a>		DATE: <b>2018/JUL/02</b>

## 4.0 PROCEDURE

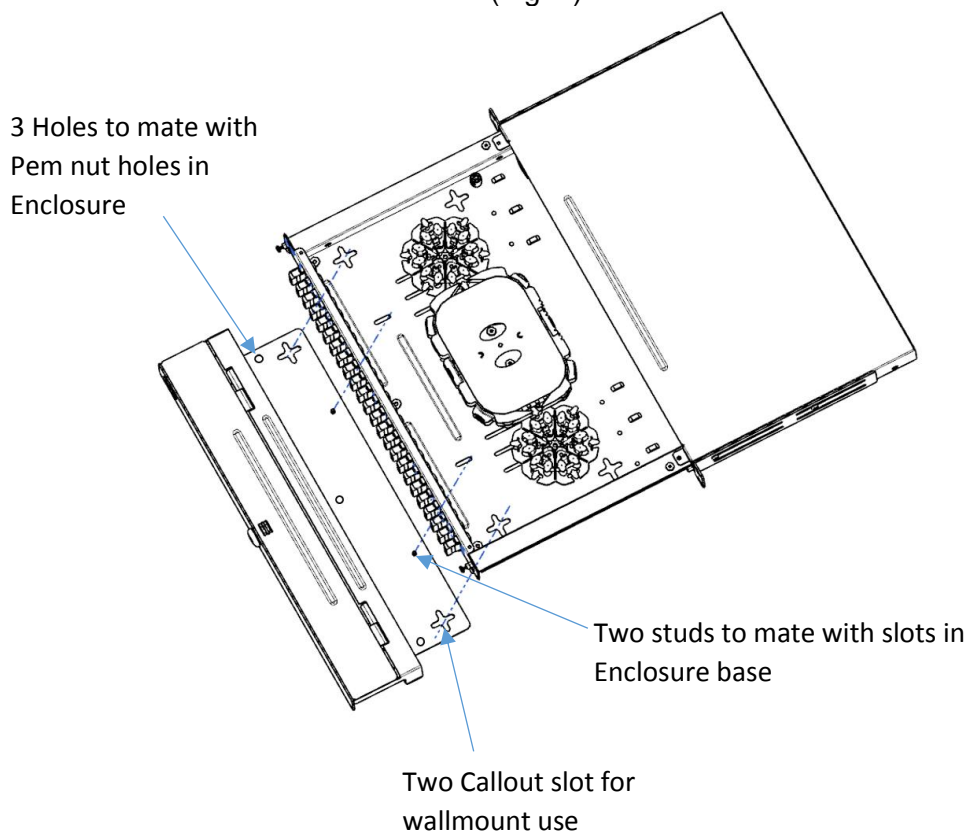
### ASSEMBLY OF THE LOCKING KIT:

Installation of the Locking kit and Enclosure.

- Make sure that Enclosure is fully assembled with its components, refer enclosure installation instruction sheet for its complete assembly procedure.
- Slide drawer (base cover) out of the enclosure to its point of full extension, as shown in Fig 1.
- Make sure that adapter plate is fixed to the enclosure base before locking kit is fixed to it.
- On the base of the Locking Kit are 3 holes and 2 studs to match 3 pem nuts and 2 slots of enclosure. On the base of the enclosure, 3 Pem nuts and 2 slots are available to mount the Locking Kit. In both the parts, 2 callout slots are available for wall mounting application shown in Fig 2.
- Align all the mating positions mentioned in above points.

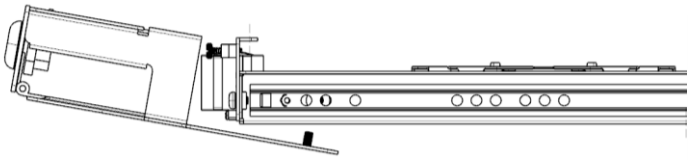


(Fig. 1)

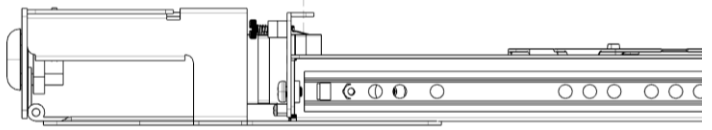


(Fig. 2)

- If the enclosure is fully loaded with adapters to the adapter plate (rack or cabinet), hold the Locking Kit base in angle position (approx. 10 degree) as shown in fig 3. to align the positions of the Locking Kit with enclosure without disturbing setup.
- Align the studs to slots and match the holes with the pem nuts, in such a way that it is flush as shown in Fig 4.

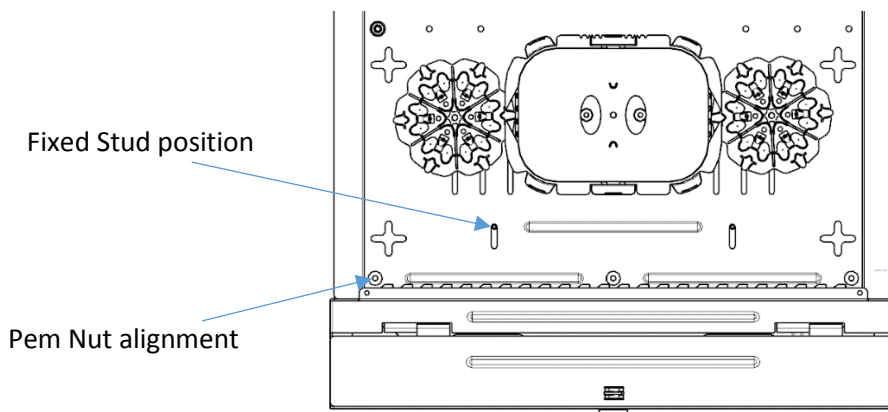


(Fig.3)



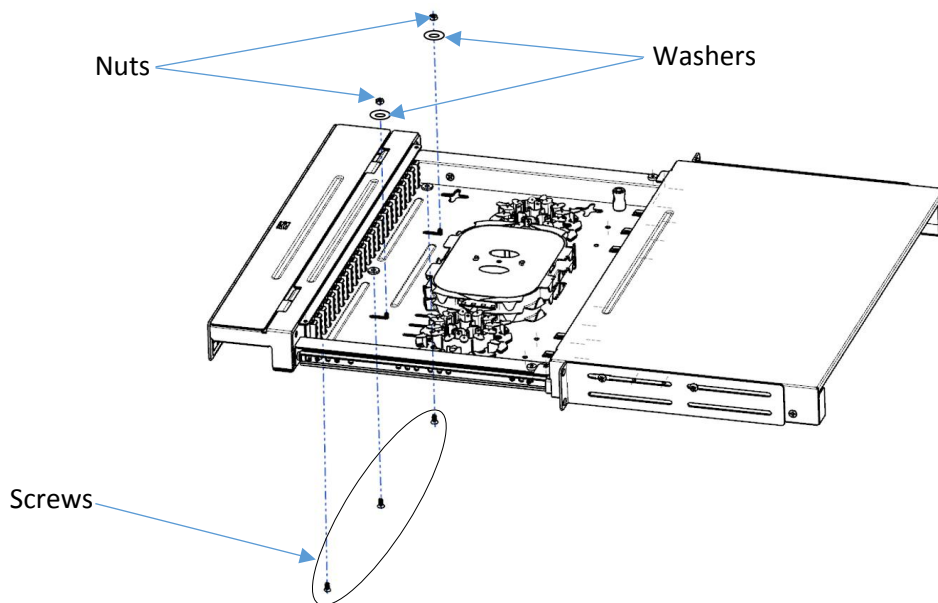
(Fig.4)

- Ensure the two fixed studs are positioned at slots extreme edge, and all 3 holes are aligned to pem nut holes as shown fig 5.



(Fig.5)

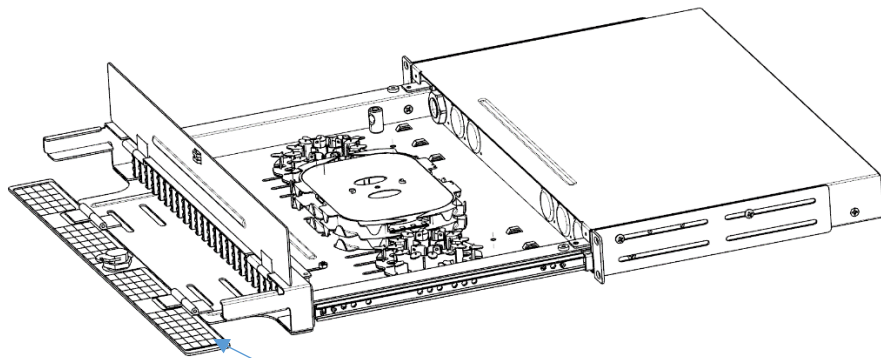
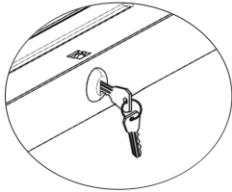
- Fix the screws from the bottom of the Locking Kit base to pem nuts, on enclosure base. Use the appropriate tool to tighten the screws to the pem nuts, and fully tighten the nuts.
- Place the washers and nuts over the base fixed studs, as shown in Fig 6. Use the appropriate tool, and tighten the nuts.



(Fig.6)

- Once the Locking Kit is ready for use, all connections can be made from front and the inside of the enclosure.
- Port ID label can be affixed to the door plate for port ID identification, as shown in Fig 7.
- Use the provided Cam lock to secure the locking kit by rotating 90 degree direction, using keys.

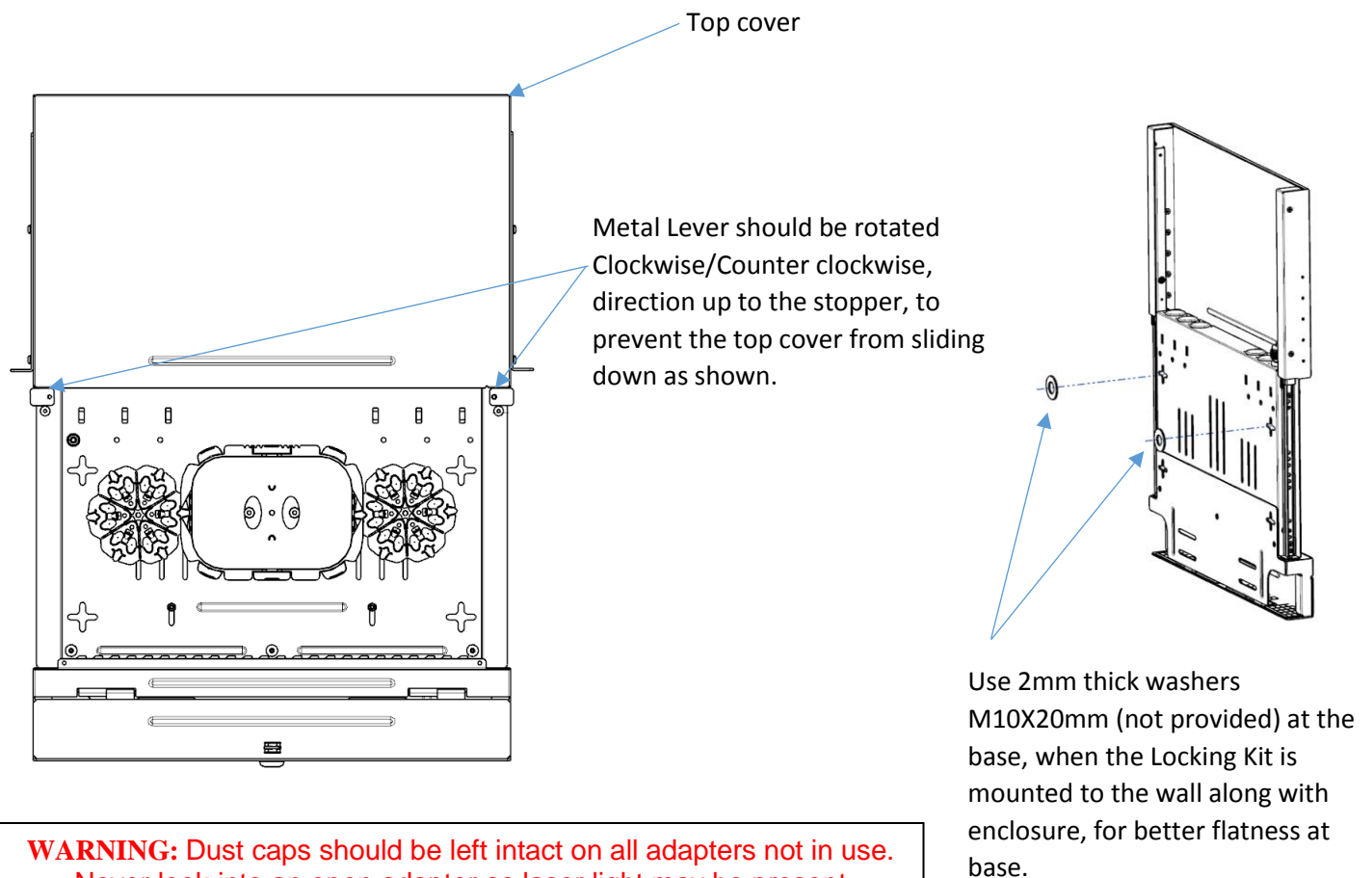
Rotate the key counter clockwise to lock and clockwise to unlock



(Fig.7)

Affix the Port ID label to door plate

- Use the available riveted metal levers (with free rotational movement) rotating 90 degrees (Clockwise /Counter clockwise) direction to stop/secure the enclosure top cover (as shown below), when enclosure base is wall mounted, to work on fiber routing, termination and any other installation work, and bring back the lever to original position by slightly lifting the enclosure top cover up.



**WARNING:** Dust caps should be left intact on all adapters not in use. Never look into an open adapter as laser light may be present and is invisible. Serious eye damage is possible.