

## Universal Splice Tray Carrier Kit

### 1.0 SCOPE

The universal splice tray carrier kit (Fig. 1) is compatible with 2U, 3U and 4U specification grade fiber enclosures such that the universal splice tray (AFR – 00222/450/451 – Part numbers listed in table 1) may be utilized.

- 2U Specification Grade Fiber Enclosure (RFR-00202):  
Accommodates ONE Universal Splice Tray Carrier Kit
- 3U Specification Grade Fiber Enclosure (RFR-00183):  
Accommodates ONE Universal Splice Tray Carrier Kit
- 4U Specification Grade Fiber Enclosure (RFR-00204):  
Accommodates TWO Universal Splice Tray Carrier Kits.

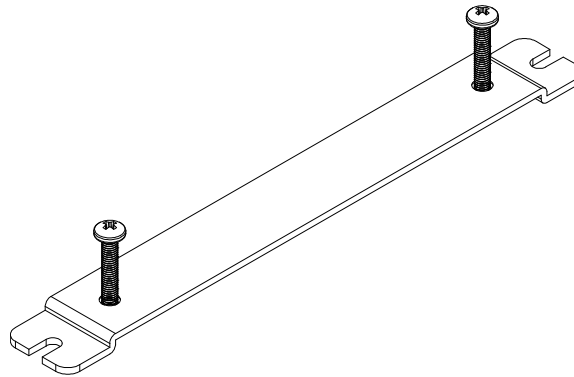


Fig. 1

**Universal Splice Tray Carrier Kit**  
**Dimensions: 10.00mm x 138.50mm x 17.15mm**  
**(0.39”H x 5.45”W x 0.68”D)**  
**Shipping Weight : 92.4g (3.3 oz.)**

Table 1

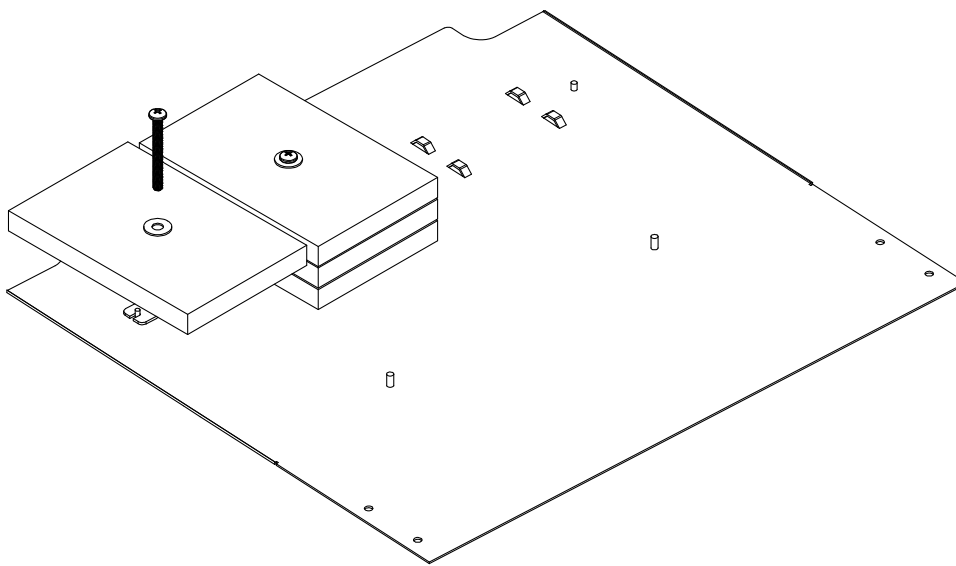
MPN NO.	SAP NO.	DESCRIPTION
AFR-00222	180600069	SPLICE TRAY CARRIER KIT - 2U
AFR-00450	180600185	SPLICE TRAY CARRIER KIT - 3U
AFR-00451	180600186	SPLICE TRAY CARRIER KIT - 4U

MPN NO.	SAP NO.
215-322	187000011

REVISION: <b>B1</b>	ECR/ECN INFORMATION: EC No: <b>MTS2012-0074</b> DATE: <b>2013 / 03 / 27</b>	TITLE: <b>Universal Splice Tray Carrier Kit</b>	SHEET No. <b>1 of 3</b>
DOCUMENT NUMBER: <b>AS-18700- 090</b>	CREATED / REVISED BY: <b>KM, Radhika</b>	CHECKED BY: <b>CG, Raghavan</b>	APPROVED BY: <b>CG, Raghavan</b>

### Installation of kit (See Fig.2):

Open the fiber enclosure drawer and loosen and set aside the nuts that attach the cable management hoops. Slide a splice tray-mounting bracket on to each pair of threaded studs that secure the cable hoops. Reposition the hoops in place. By using the original nuts, the splice tray bracket and cable management hoops are secured in place simultaneously. Be sure to position the Universal Splice Tray Carrier Bracket between the cable hoop and fastening nut.



Each splice tray-mounting bracket is equipped with bolts. Remove these screws and slide one, two, or three Universal Splice Trays on to each bolt, depending on density required. Screwing the bolts back into the splice tray-mounting bracket secures the splice trays in place. Table 2 shows combination of screws for different Splice Kit.

MPN NO.	SAP NO.
215-322	187000011

**Table 2**

REVISION: <b>B1</b>	ECR/ECN INFORMATION: EC No: <b>MTS2012-0074</b> DATE: <b>2013 / 03 / 27</b>	TITLE: <b>Universal Splice Tray Carrier Kit</b>	SHEET No. <b>2 of 3</b>
DOCUMENT NUMBER: <b>AS-18700- 090</b>	CREATED / REVISED BY: <b>KM, Radhika</b>	CHECKED BY: <b>CG, Raghavan</b>	APPROVED BY: <b>CG, Raghavan</b>

SCREW CHART FOR DIFFERENT CASSETTES				
CASSETTE	NO. OF CASSETTE	MPN NO.	SAPNO.	QUANTITY OF SCREWS
2U	2 CASSETTES	205-373	186000318	1
	3 CASSETTES	205-374	186000319	2
	4 CASSETTES	205-375	186000320	2
3U	4 CASSETTES	205-375	186000320	1
	5 CASSETTES	205-376	186000321	2
	6 CASSETTES	205-377	186000322	2
4U	6 CASSETTES	205-377	186000322	1
	7 CASSETTES	205-378	186000323	2
	8 CASSETTES	205-379	186000324	2

**Note:** Do not over tighten the splice trays using the securing bolts as this will stress and ultimately cause cracking of the splice trays.

MPN NO.	SAP NO.
215-322	187000011

REVISION: <b>B1</b>	ECR/ECN INFORMATION: EC No: <b>MTS2012-0074</b> DATE: <b>2013 / 03 / 27</b>	TITLE: <b>Universal Splice Tray Carrier Kit</b>	SHEET No. <b>3 of 3</b>
DOCUMENT NUMBER: <b>AS-18700- 090</b>	CREATED / REVISED BY: <b>KM, Radhika</b>	CHECKED BY: <b>CG, Raghavan</b>	APPROVED BY: <b>CG, Raghavan</b>