

## ISDN PANEL

### 1.0 SCOPE

This document provides instructions of ISDN PANEL

### 2.0 PRODUCT DESCRIPTION

This is ISDN Panel

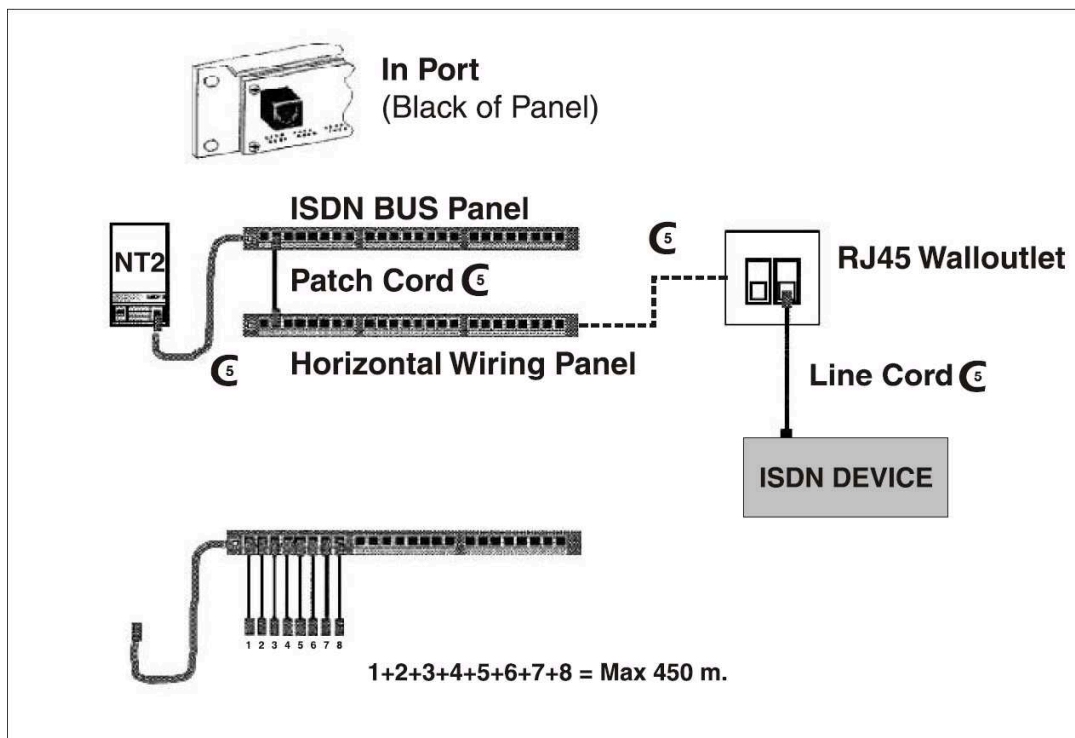
### 3.0 REFERENCE DOCUMENTS

### 4.0 PROCEDURE

#### 4.1 GENERAL REQUIREMENTS

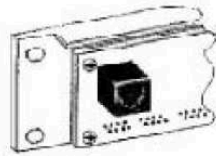
#### 4.2 ASSEMBLY INSTRUCTIONS

#### 4.3 REMOVAL INSTRUCTIONS

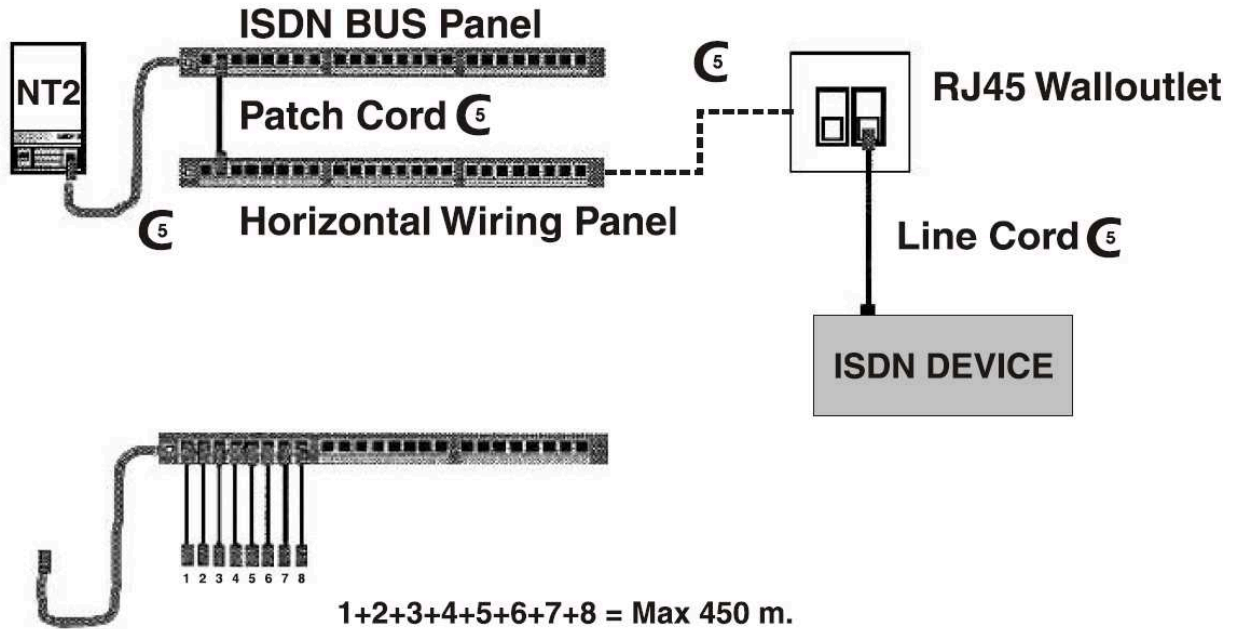


MPN NO.	SAP NO.
315-159	187000394

REVISION: <b>A</b>	ECR/ECN INFORMATION: EC No: <b>MTS2013-071</b> DATE: <b>2013 / 07 / 16</b>	TITLE: <b>INSTRUCTION SHEET ISDN PANEL</b>	SHEET No. <b>1 of 2</b>
DOCUMENT NUMBER: <b>AS-18700-088</b>	CREATED / REVISED BY: <b>SNAGARAVENKA</b>	CHECKED BY: <b>BJ MAHENDRA</b>	APPROVED BY: <b>DURAN, JIM</b>



**In Port**  
(Black of Panel)



MPN NO.	SAP NO.
315-159	187000394

REVISION: <b>A</b>	ECR/ECN INFORMATION: EC No: <b>MTS2013-071</b> DATE: <b>2013 / 07 / 16</b>	TITLE: <b>INSTRUCTION SHEET ISDN PANEL</b>	SHEET No. <b>2 of 2</b>
DOCUMENT NUMBER: <b>AS-18700-088</b>	CREATED / REVISED BY: <b>SNAGRAVENKA</b>	CHECKED BY: <b>BJ MAHENDRA</b>	APPROVED BY: <b>DURAN, JIM</b>

RJLP - UTP, STP

