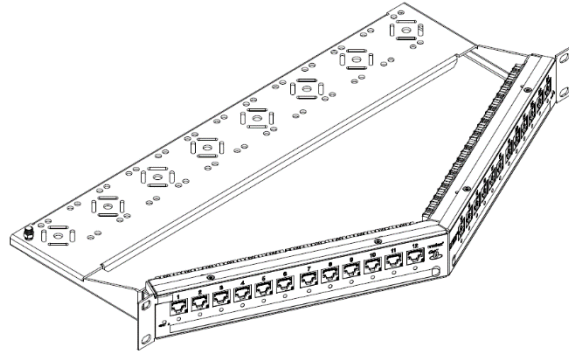
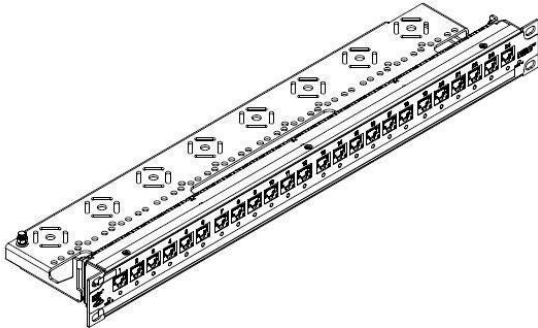




MIIM CATEGORY 6 PATCH PANELS



1. PARTS LIST

- Panel with integrated cable manager
- Hardware kit
- Instruction sheet
- Termination cap
- Cable ties
- Labels

2. GENERAL REQUIREMENTS

The following tools are required for installation of the panel.

- 110 termination tool set on low impact
- Cable stripping tool
- Flush cut pliers
- Phillips screwdriver

3. ASSEMBLY INSTRUCTIONS

3.1 Panel preparation

With the hardware kit provided, mount the panel to the rack. Route cable along the intended pathway through the frame or enclosure to the desired location at the back of the panel. Allow sufficient slack to terminate the cables. A 40 mm minimum bend radius is recommended during termination and dressing of individual ports.

3.2 Cable Preparation

- 1) Strip the cable a minimum of 40 mm. (Fig.1)
- 2) Untwist pairs. Use clippers to cut-off foil (Fig.2)
- 3) Individual wires can be exposed to insulation. (Fig.3)



Fig.1

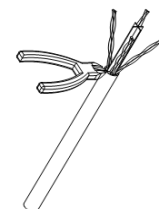


Fig.2

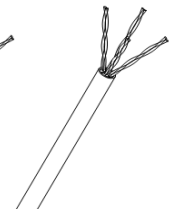
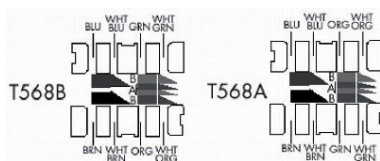
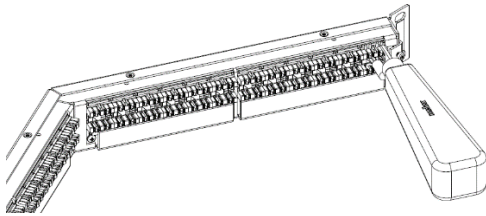


Fig.3

3.3 Cable Termination

Untwist wires and position for terminating using the appropriate sequence across the contacts.

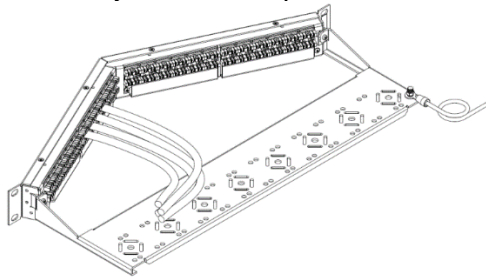




- **Punch down with 110 tool set on low impact.**

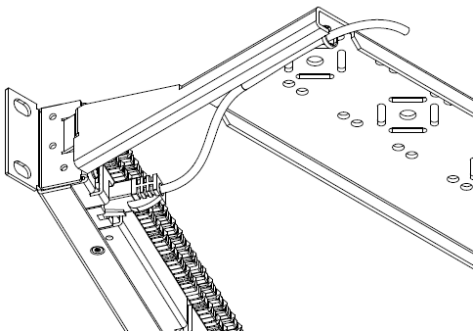
3.4 Cable Dressing

Install cable management tray to panel. Press cables neatly on cable management tray and secure with cable ties ensuring 29 mm bend radius is maintained. Install Stuffer cap for strain relief. Individually earth each panel to cabinet earth position.



3.5 Attach MIIM I/O cable to I/O port.

- Secure to cable management tray if desired.



3.6 Adding MIIM panels to the MIIM System

Connect a patch cord between the RJ45 ports on the back of the panel to port on a MIIM scanner.

Refer to the scanner and panel firmware update section in the MIIM Installation Guide to insure the panel firmware and scanner application are matched correctly.

Access the scanner to confirm scanner application and panel firmware versions if necessary, perform a panel firmware update on the panel