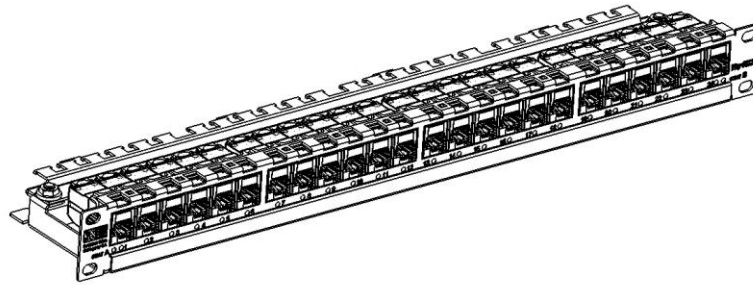


Phy-FiXX-Ready Category 6 Patch Panel



1.0 SCOPE

This document provides installation instructions for the HCS P06-024R9-yU Phy-FiXX-Ready C6 Patch Panel.

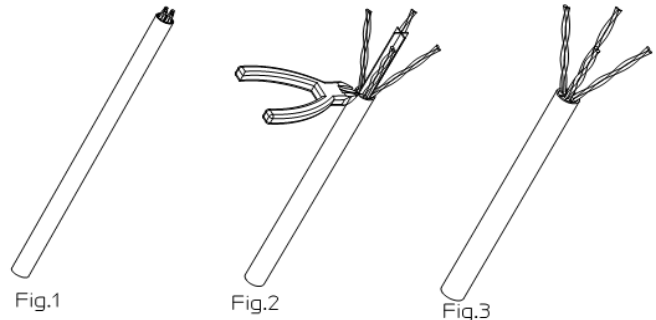
2.0 PROCEDURE

Tools required:

110 punch down tool, cable strippers, wire clippers, and screwdriver

Cable preparation:

1. Strip the cable a minimum of 40 mm. (Fig.1)
2. Untwist pairs. Use clippers to remove separator (Fig.2)
3. Individual wires can be exposed to insulation. (Fig.3)



Cable termination to jack:

Caution: Take care when handling the jack to not bend or damage the contacts on the bottom of the jack.

1. Refer to wiring map (see Fig. 4).
2. Untwist cable pairs and punch down wires to corresponding IDT contacts with punch down tool.
3. Ensure wires are trimmed flush to IDT towers.
4. Ensure cable sheath is maintained as close as possible to the IDT towers on the jack.

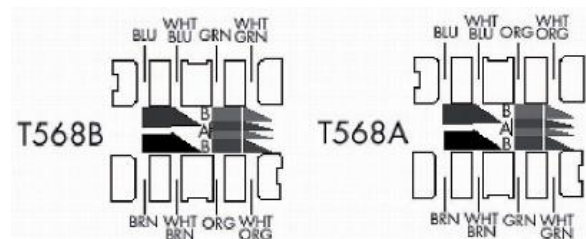


Fig. 4

Phy-FiXX-Ready Category 6 Patch Panel

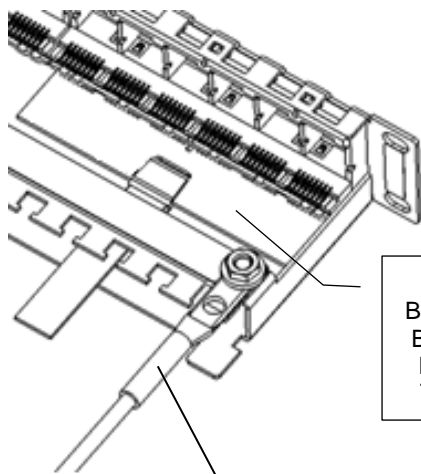


Fig. 5

INSERT JACK AT
SLIGHT ANGLE

ORIENT JACK
CONTACTS ON
BOTTOM OF JACK

CONTINUITY
BOARDS (4) MUST
BE INSERTED TO
MAINTAIN DATA
TRANSMISSION

EARTH PANEL ON
RIGHT OR LEFT
SIDE TO CABINET

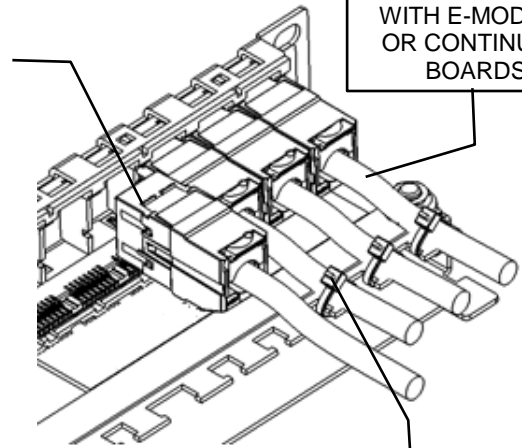


Fig. 6

CABLES SHOULD
NOT INTERFERE
WITH E-MODULE
OR CONTINUITY
BOARDS

SECURE CABLES TO CABLE
MANAGER WITH CABLE TIES

CINCH CABLE TIES ON TOP
TO PREVENT INTERFERENCE
WITH E-MODULE

Install continuity boards in patch panel:

Install 4 continuity boards in the slot below the contacts on the bezel. Continuity boards (or E-module) are required to maintain continuity on the permanent link (See Fig.5). FAILURE TO INSTALL CONTINUITY BOARDS WILL RESULT IN OPEN PAIRS.

Install jack to patch panel:

Caution: Contacts on panel are delicate. Be careful when inserting or removing jacks.

1. Remove protective cardboard inserts from the bezels.
2. Orient jack to panel as shown in Fig. 6. Contacts on bottom of jack will mate with the panel bezel.
3. Slide jack into patch panel port opening at slight angle and snap jack into panel by pushing down on top of jack (see Fig. 6).
4. Secure cables to cable tray with cable ties (See Fig.6).
 - Ensure cables are dressed neatly to cable tray
 - Ensure a minimum 30 mm (1.2") of bend radius is maintained
 - Ensure cable ties do not over compress cables
 - Ensure cables and cable ties do not interfere with adding or removing E-modules from the panel

Grounding / earthing for patch panels:

1. Individually ground (earth) each patch panel to cabinet ground (earth) position by securing grounding lug to panel grounding stud (see Fig. 5).
2. Consult local electrical code for required grounding / earthing wire gauge.

To remove jacks from panel:

1. Apply pressure to front of jack.
2. Use screwdriver or similar tool to lift the latch above jack and release jack (See Fig. 7).

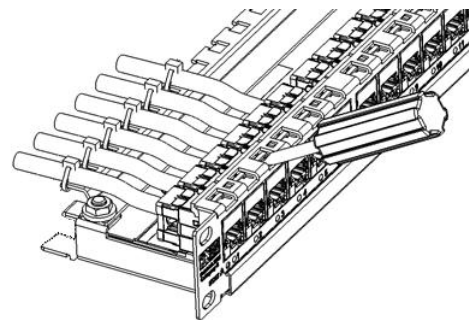


Fig. 7