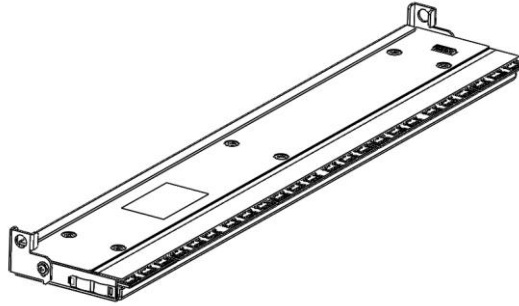


MIIM E-Module**1.0 SCOPE**

This document provides installation instructions for the Molex IMD-00001 MIIM E-Module.

The following panels are compatible with the IMD-00001 E-Module:

- PID-00266
- PID-00268
- PID-00269
- PID-00270
- PID-00271
- PID-00272
- PID-00273
- PID-00274

2.0 PROCEDURE

IMPORTANT: Removing E-modules or MIIM continuity boards from the panel will result in loss of continuity on all jacks in the panel. This is a service-affecting event and removal or replacement procedures should be done off-hours or during a scheduled maintenance window. Continuity is restored as soon as the E-module or continuity boards are inserted in the panel. Jacks do not have to be removed when removing or adding E-modules.

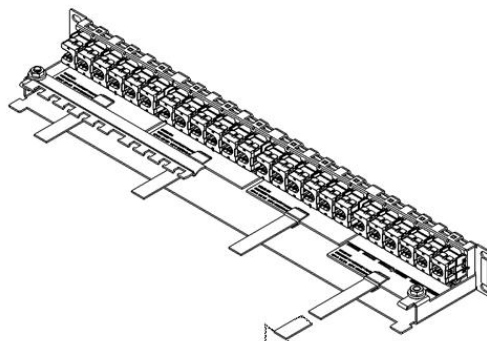


Fig.1

Remove Continuity Boards

To remove MIIM continuity boards, pull the strap straight back on each of the four continuity boards (See Fig. 1).

MIIM E-Module

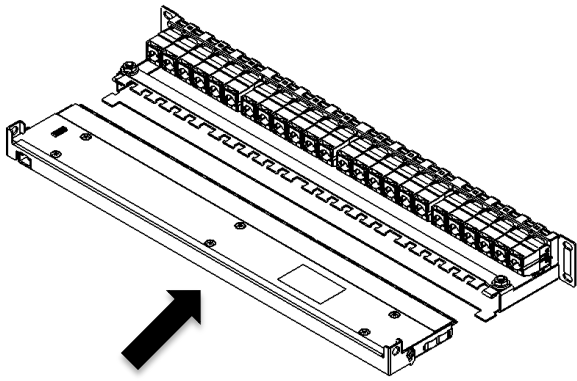


Fig. 2

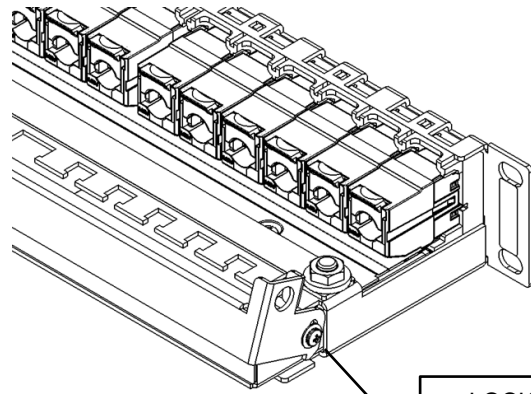
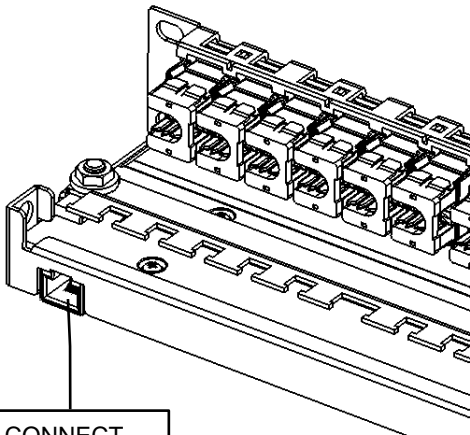


Fig. 3

LOCKING BAR
SHOULD
CONTACT PANEL

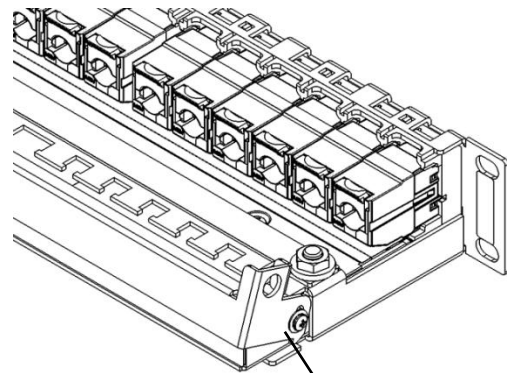
Install E-module in patch panel:

Install E-module in the slot below the contacts on the bezel (see Fig. 2). Rotate locking bar up and insert E-module until contacts on the E-module are no longer visible (see Fig.3). Rotate locking bar down to secure E-module. The locking bar should be in contact with the panel. The E-module (or MIIM Continuity Boards) is required to maintain continuity on the permanent link. FAILURE TO INSTALL THE E-MODULE WILL RESULT IN OPEN PAIRS.



CONNECT
PATCH CORD
TO SCANNER

Fig. 4



LOCKING BAR

Fig. 5

Connect panel to scanner:

Connect MIIM panel to MIIM Scanner with a Category 5e or better patch cord (see Fig. 4). The panel is powered by the scanner and will automatically turn on. Power is indicated by the Stat B LED on the front of the panel.

Remove E-Module:

1. Lift locking bar up and rotate locking bar toward the front of the panel to disengage the E-module from the panel (see Fig. 5).
2. Remove E-module.
3. Install replacement E-module or MIIM continuity boards.