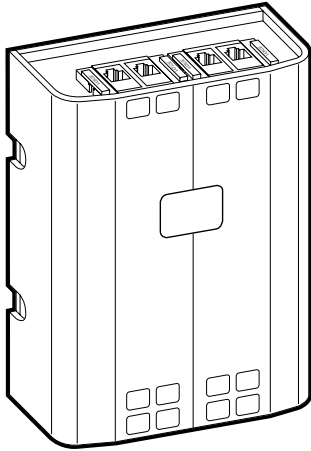




**MMI and MMI-R
Multi Media Interface**



MMI
Dimensions: 197mm x 159mm x 57mm
(7.75"H x 6.25"W x 2.25"D)
Shipping Weight: 322g (11.5 oz.)

MMI-R
Dimensions: 222mm x 159mm x 57mm
(8.75"H x 6.25"W x 2.25"D)
Shipping Weight: 406g (14.5 oz.)

Order No.	Description
WFR-00016-01	MMI (Plastic Cover) Almond
WFR-00016-02	MMI (Plastic Cover) White
WFR-00016-08	MMI (Plastic Cover) Light Grey
WFR-00017	MMI-R (Metal Cover) Graphite Grey

- Reference Information**
- Parts List
- MMI or MMI-R
 - Cable Ties
 - Allen Wrench (only with MMI-R)
 - Adhesive Icon Labels
 - Cover Hardware
 - Assembly Instructions

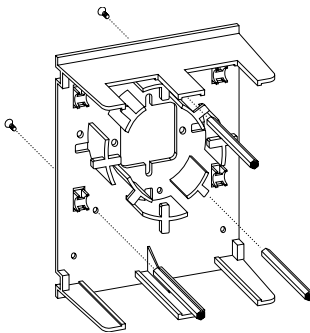


To reduce the risk of electrical shock, always disconnect all telephone lines from the wall outlets before servicing or disassembling this equipment. Installation is to be performed by qualified service personnel.

STEP 1

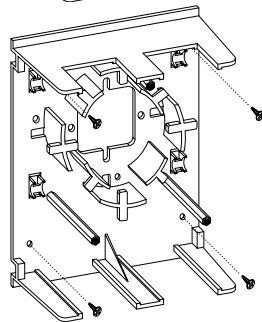
For the MMI-R (metal cover), attach posts to MMI base unit with screws.

Steps 2-5 apply to either the MMI-R or the MMI.



STEP 2

Secure the base to the wall, or position the MMI over a flush mounted utility box, using the appropriate mounting holes in the base.



STEP 3

MODULE TERMINATION

The MMI will accept up to six USO II modules. These modules may be installed in any combination. It is highly recommended that all optical fiber adapter modules be installed in the four lower positions (facing the floor) whenever possible. This provides the best protection for the fiber connectors and cables exiting the MMI.

- A. When terminating UTP modules, lay the wires between the IDC towers according to the color code in the chart below.
- B. Place the module against a solid surface and punch down the wires using a single punch down tool.

MOLEX PREMISE NETWORKS

Molex Premise Networks
Corporate Headquarters
New Hampshire, USA
Tel: 1 603 324 0200
www.molexpn.com

European Headquarters
Hampshire, England
Tel: 44 (0) 1489 527111
www.molexpn.co.uk

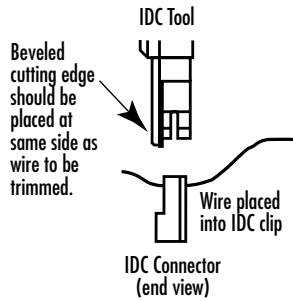
Pac Rim Headquarters
Victoria, Australia
Tel: 61 3 9971 7111
www.molexpn.com.au



**MMI and MMI-R
Multi Media Interface**

STEP 4

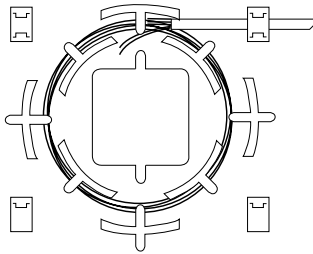
Be sure the cutting blade is on the correct side for automatic cutoff of excess wire.



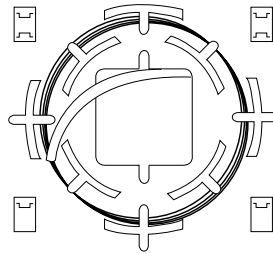
STEP 5

CABLING THE MMI

Cables may enter the Multi Media Interface through the center back hole in the MMI base or through either of the four side position. See the illustration for the proper routing and mounting of copper and fiber cables.



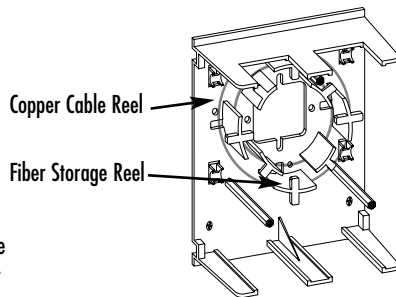
Cable entering through side position



Cable entering through back hole

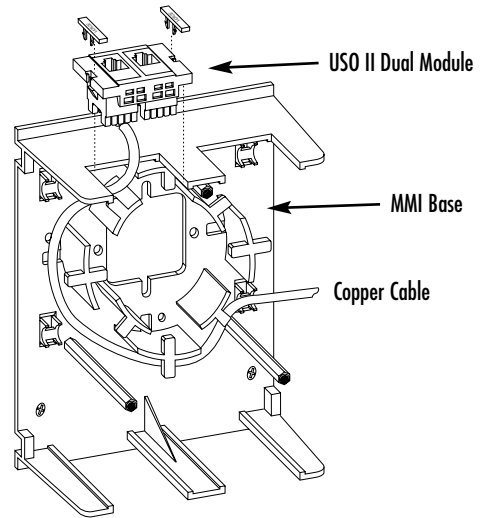
- A. Allow enough slack in copper cables to route the cables in the perimeter of the unit. This minimizes congestion.
- B. The optical fiber storage reel should be reserved for fiber only.
- C. When using optical fiber cables with 900M buffered fibers, remove all jacketing and strengthening materials and store only the 900µ coated fiber in the storage reel. If patch cords are used, this is optional.
- D. Terminate optical fiber according to connector manufacturer's recommendations.

- E. Carefully route all fibers and fiber cables to maintain the minimum 1.5 inch bend radius. The MMI is designed to give ample room for proper fiber protection.



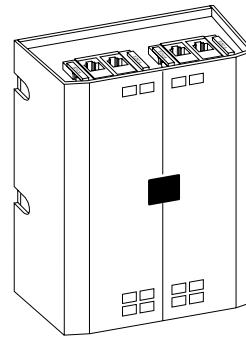
STEP 6

After termination of modules is complete, snap into base unit.

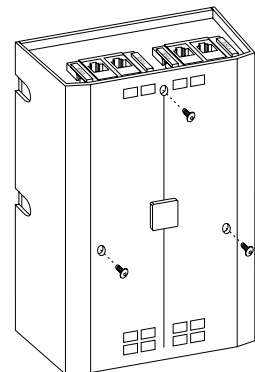


STEP 7

Secure cover on MMI-R with screws provided. Snap cover onto MMI.



MMI (plastic) cover snaps on



MMI-R (metal) cover is secured with screws

MOLEX PREMISE NETWORKS

Molex Premise Networks
Corporate Headquarters
New Hampshire, USA
Tel: 1 603 324 0200
www.molexpn.com

European Headquarters
Hampshire, England
Tel: 44 (0) 1489 527111
www.molexpn.co.uk

Pac Rim Headquarters
Victoria, Australia
Tel: 61 3 9971 7111
www.molexpn.com.au