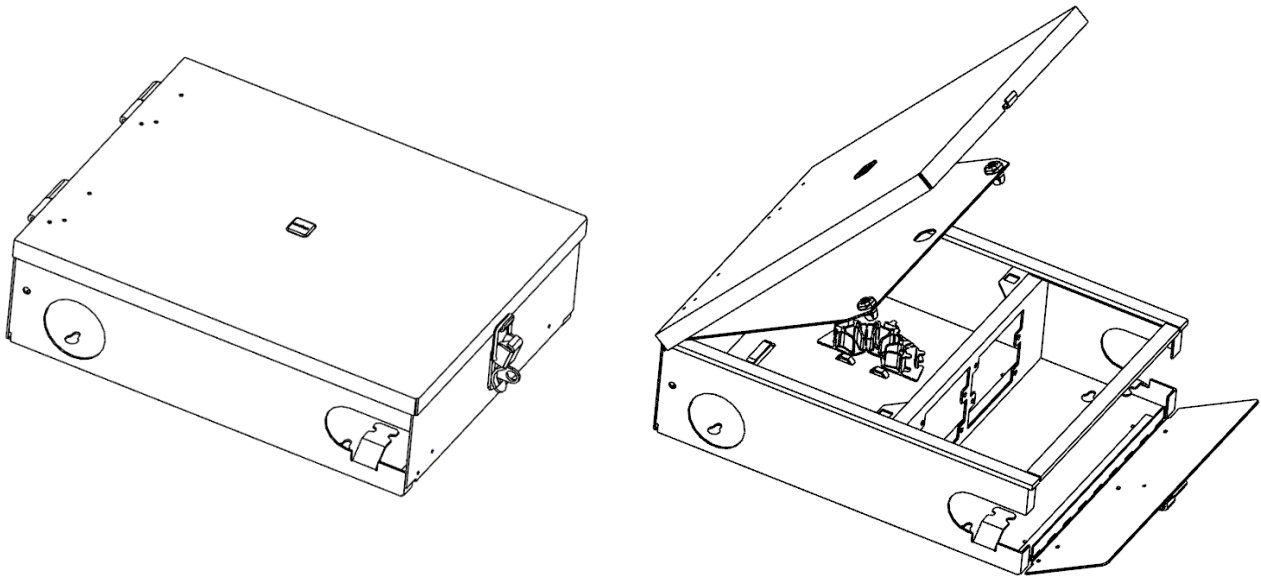


STANDARD GRADE WALL MOUNT FIBER ENCLOSURE



1.0 SCOPE:

This document provides installation instruction of Standard grade wall mount fiber enclosure

2.0 PRODUCT DESCRIPTION:

Standard grade wall mount fiber enclosure

3.0 PROCEDURES:

ASSEMBLY INSTRUCTIONS

CABLE ENTRY AND RETENTION (FIG. 1)

Cables can enter the top or bottom of the fiber enclosure. Select which input direction is most suitable to the application, remove the appropriate hole plug and introduce the cable to the enclosure. Alternatively, a knife can be used to cut a cross pattern in the plug and the plug can be threaded on to input the fiber cable. Using the supplied tie wraps secure the input cable to the cable tie down bridge.

PORT LABELING

Each enclosure is supplied with an adhesive and writable port designation label. Define the ports on the sheet and adhere the label in a convenient position on the enclosure.

This is usually on the inside of the main front door.

CABLE STORAGE AND LAYOUT

Each fiber drawer is supplied with a pair of cable management hubs. These are used to store slack cable inside the fiber enclosure for future needs.

EARTH BONDING

There are no earth grounding points on the fiber enclosure.

ENGINEERING RECORD NO : 722326	SAP NO : 187000119	Doc No: AS-18700-036	Doc part: AS	REV- B
http://www.molexces.com				

INSTALLING FIBER PAK/ADAPTER PLATES

Fiber enclosures utilize Fiber Pak/Adapter Plates. To install, each Fiber Pak/Adapter Plate utilizes corner retention pins which when pulled upon open two corner fasteners. Position the Fiber Pak/Adapter Plate to the appropriate location within the enclosure and push the two corner fasteners gently back in until they will go no further. The Fiber Pak/Adapter Plate is now positively attached to the drawer unit.

–Accommodates 2 x 6 Fiber Pak/Adapter Plates

–Accommodates 4 x 6 Fiber Pak/Adapter Plates

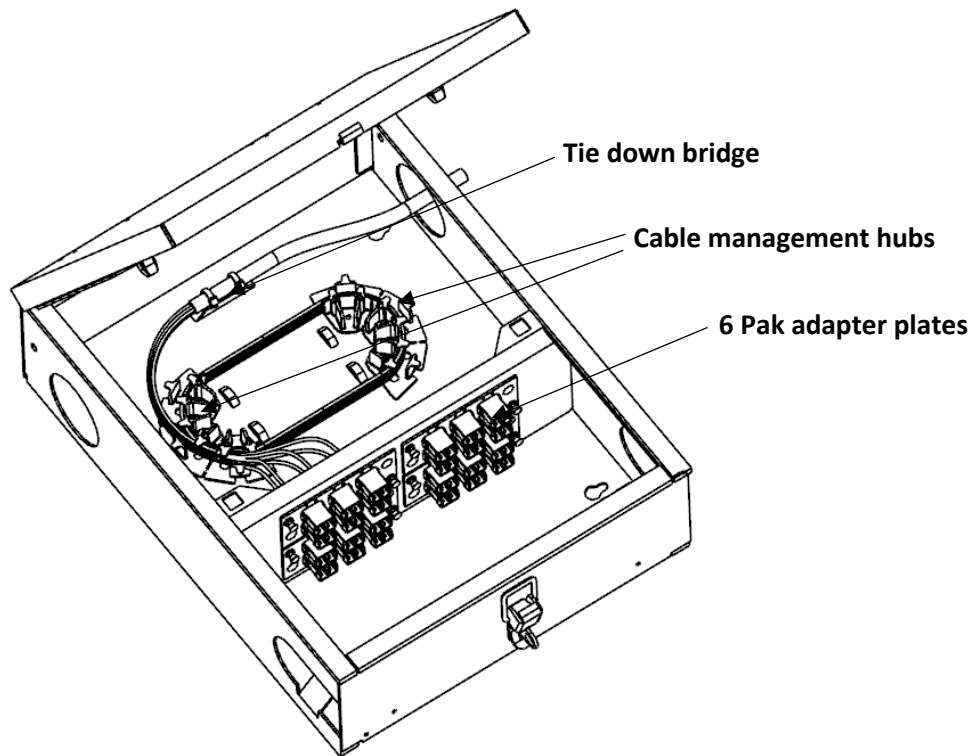


Fig.1
(Shown for reference only)