

Power Cat 6A Data Gate Shielded Jack and Module Installation Instruction

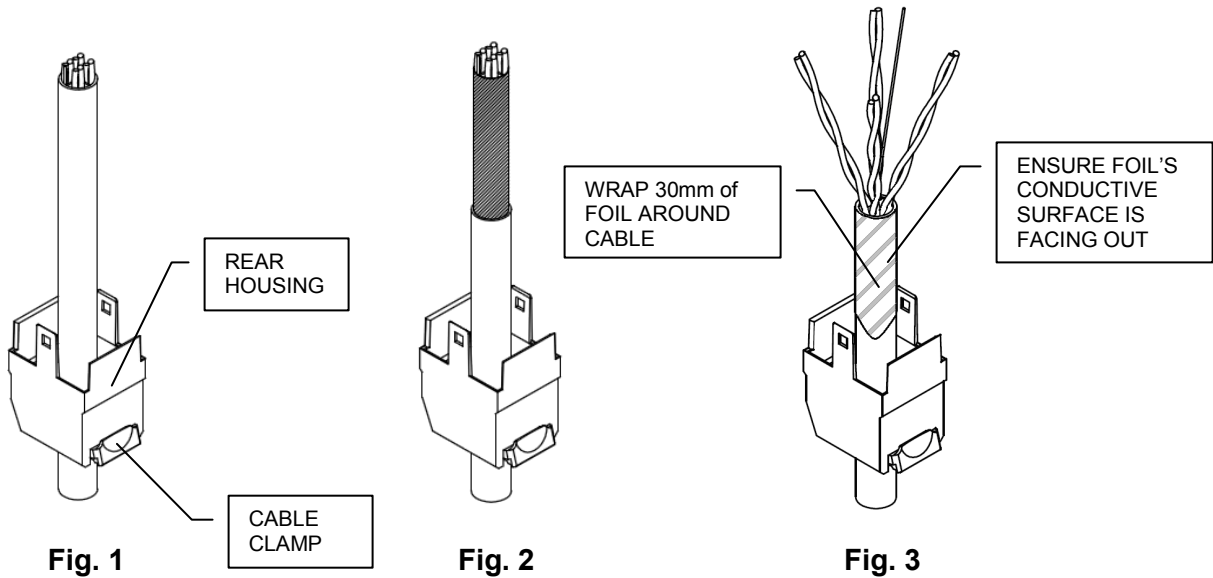
1.0 SCOPE

This document provides installation instructions for Molex Power Cat 6A Data Gate Shielded Jack.

2.0 PROCEDURE

Tools required:

- 110 punch down tool, cable strippers, wire clippers, and screwdriver



U/FTP cable preparation:

1. Ensure rear housing cable clamp is open (as showing in figures)
2. Slide rear housing on to cable (see Fig. 1)
3. Remove 75mm (3") of cable sheath with cable stripper (see Fig. 2)
4. Unwrap and remove 3 of the twisted pair's foils with wire clippers
5. Wrap approx 30mm (1.2") of 4th foil down length of cable sheath (see Fig. 3)
 - Ensure cable foil's conductive surface is facing out

F/UTP cable preparation:

1. Ensure rear housing cable clamp is open (as shown in figures)
2. Slide rear housing on to cable (see Fig. 1)
3. Remove 75mm (3") of cable sheath with cable stripper (see Fig. 2)
4. Unwrap overall foil from cable
5. Remove cable cellophane wrap and center section with wire clippers
6. Wrap approx 30mm (1.2") of foil down length of cable sheath (see Fig. 3)
 - Ensure cable foil's conductive surface is facing out

MPN NO.	SAP NO.
215-380	187000358

REVISION: C1	ECR/ECN INFORMATION: EC No: MTS2013-0071 DATE: 2013 / 07 / 16	TITLE: Power Cat 6A Data Gate Shielded Jack and Module Installation Instruction	SHEET No. 1 of 3
DOCUMENT NUMBER: AS-18700-048	CREATED / REVISED BY: SNAGARAVENKA	CHECKED BY: MTAMBRALLI	APPROVED BY: JDURAN



Fig. 4

Cable termination to jack:

1. Wiring map (see Fig. 4)
2. Untwist cable pairs and punch down wires to corresponding jack IDT contacts with 110 tool
3. Ensure wires are trimmed flush to IDT towers
4. Ensure cable sheath is maintained up to the jack

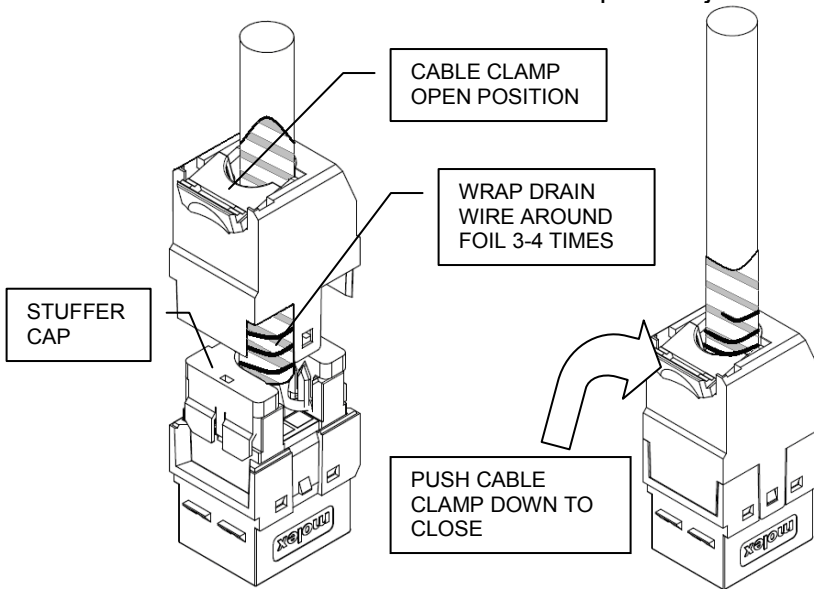


Fig. 5

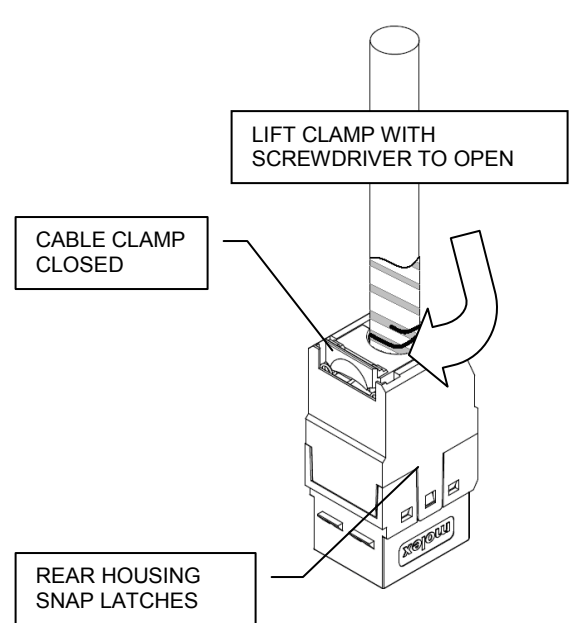


Fig. 6

Fig. 7

To fit rear housing to jack:

1. Fit cable strain relief stuffer cap to IDT towers (see Fig. 5)
2. Wrap drain wire around cable foil 3 - 4 times (see Fig. 5)
3. Snap rear housing to jack (see Fig. 6)
4. Push clamp down to close clamp (see Fig. 6)
 - Ensure cable clamp clamps down on wrapped drain wire
 - Trim excess foil with clippers

To remove rear housing from jack:

1. Lift cable clamp with screwdriver (see Fig. 7)
2. Lift rear housing snap latches with screwdriver (see Fig. 7)
3. Pull rear housing apart from jack

MPN NO.	SAP NO.
215-380	187000358

REVISION: C1	ECR/ECN INFORMATION: EC No: MTS2013-0071 DATE: 2013 / 07 / 16	TITLE: Power Cat 6A Data Gate Shielded Jack and Module Installation Instruction	SHEET No. 2 of 3
DOCUMENT NUMBER: AS-18700-048	CREATED / REVISED BY: SNAGRAVENKA	CHECKED BY: MTAMBRALLI	APPROVED BY: JDURAN

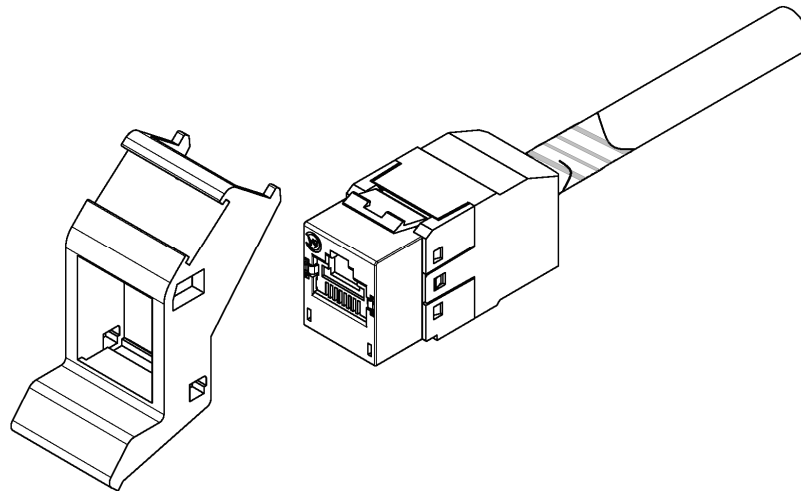


Fig. 8

To assemble jack to patch panel:

1. Orientate jack to module as shown in Fig. 8
2. Slide in jack into module port opening at slight angle (see Fig. 9)
3. Insert the jack metal latches into base of module
4. Snap jack into panel by pushing down on top of jack (see Fig. 9)

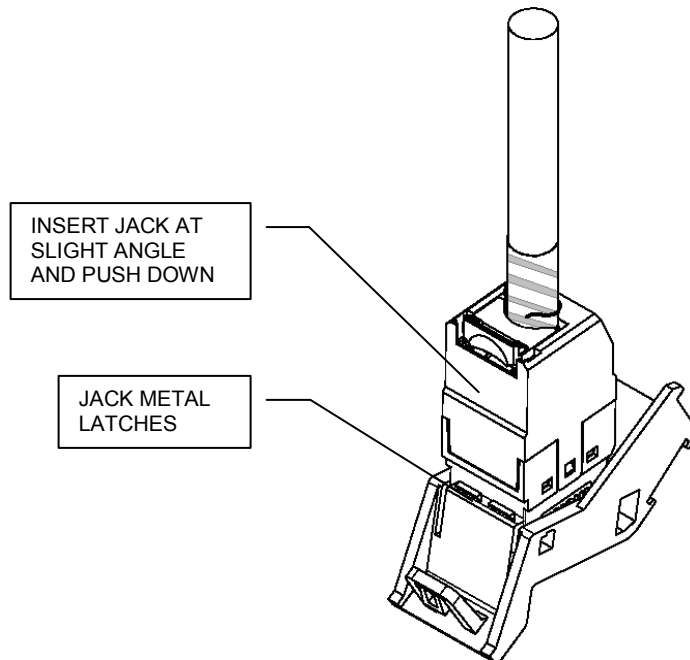


Fig. 9

MPN NO.	SAP NO.
215-380	187000358

REVISION: C1	ECR/ECN INFORMATION: EC No: MTS2013-0071 DATE: 2013 / 07 / 16	TITLE: Power Cat 6A Data Gate Shielded Jack and Module Installation Instruction	SHEET No. 3 of 3
DOCUMENT NUMBER: AS-18700-048	CREATED / REVISED BY: SNAGARAVENKA	CHECKED BY: MTAMBRALLI	APPROVED BY: JDURAN