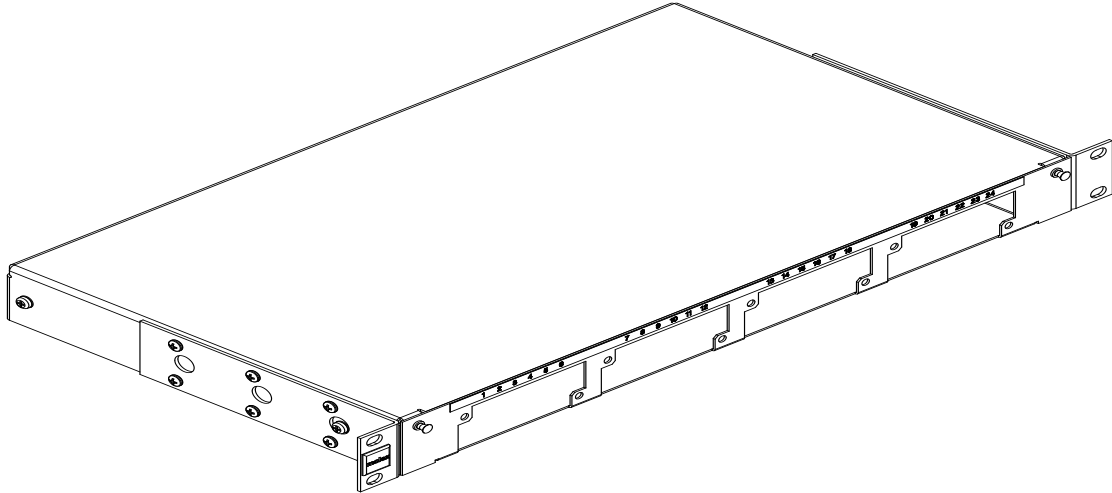


**RFR-00082 – 1U 24 PORT CONFIGURABLE FIBER SLIDING DRAWER****DIRECTION BELOW APPLY SPECIFICALLY TO THE ENCLOSURE****Installing adjustable mounting angles (Fig.1)**

- The mounting brackets can be installed in one of two positions which effects Depth of the enclosure is installed in the rack or cabinet.
- Use M4 Philips pan head screws to attach mounting brackets to the enclosure.

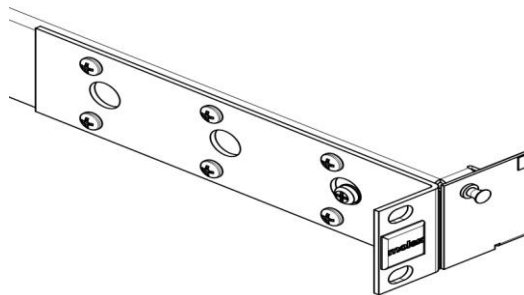
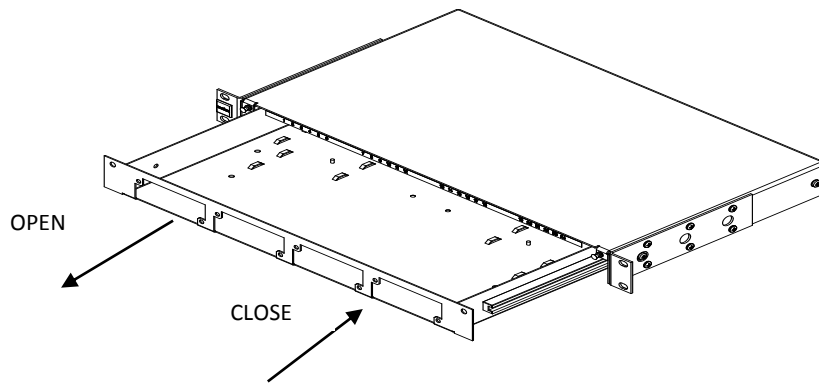


Fig.1

**Open/close slide drawer (Fig.2)**

- Release the plunger from grommet.
- Use even pressure on both the right and left side to pull and push the drawer.
- Slide drawer out to its point of full extension.

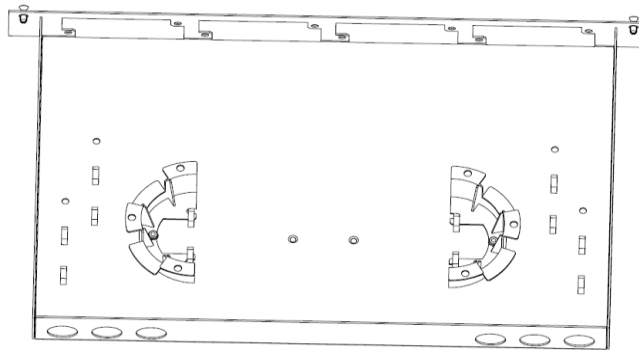
EC/ECM NO: <b>108434</b>	SAP NO : <b>187000366</b>	Doc No: <b>AS-18700-101</b> Doc part: <b>AS</b>	REV- <b>A1</b>
SAP EC NO: <b>10794823</b>	<a href="http://www.molexpn.com/">http://www.molexpn.com/</a>		DATE: <b>2016/SEP/27</b>



**Fig.2**

**Installation of Slack Management Spools (Fig. 3)**

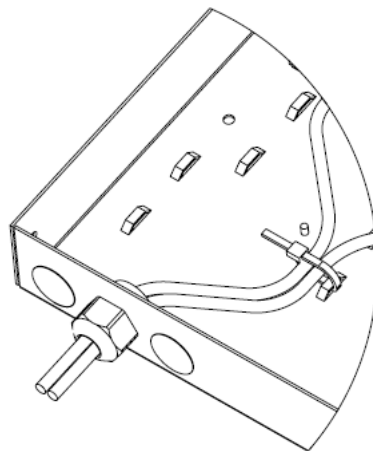
- Spools are secured using kep nuts
- Note: Do not install slack management Spools for Mod link MTP cable and Modular Splice Cassette installations.



**Fig.3**

**Back Cable Entry & Retention (Fig. 4)**

- Cables can enter in either the left or right back side of the enclosure.
- Secure cables with Velcro strips or cable ties to the strain relief / tie off feature.



**Fig. 4**

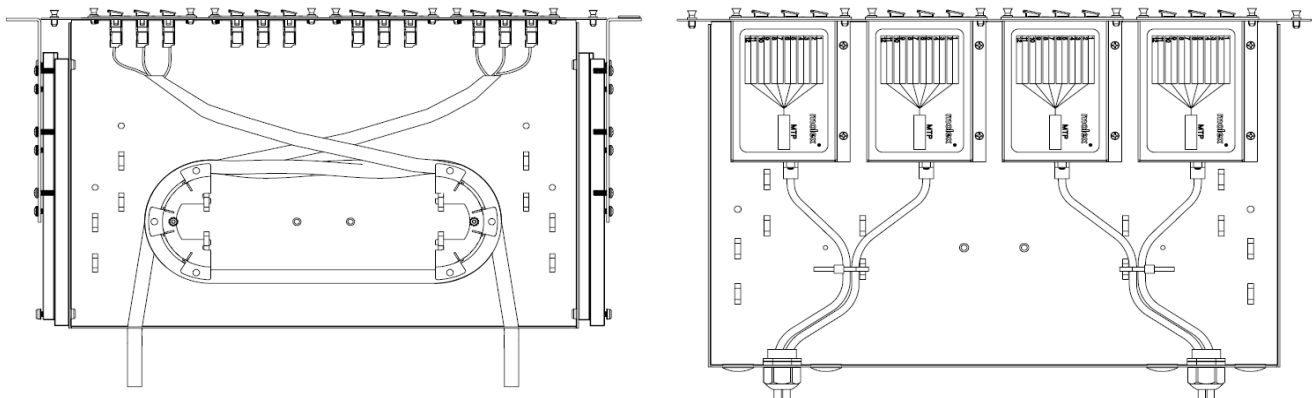
**CAUTION:** Molex recommends wearing safety glasses When cutting fiber optic cable.

### Armored Cable Grounding

Armored Fiber optic cable metal sheaths may be terminated on the integral pem studs (One on each side at the point of entry). A brass grounding nut is included in the accessory kit. For proper grounding practices refer to ANSI/J-STD-607-A grounding Standard.

### Cable slack and routing (Fig. 5)

- Adequate slack must be included inside the enclosure for sliding drawer to pull out.
- Full extension of the drawer is 1 feet.
- Molex recommends a minimum of 1 meter of slack be stored inside the enclosure for tight buffered loose tube cables.
- Provide minimum 5" to 6" of slack b/w the cable entry point and the point where the cable begins to spool around the slack management spools or Velcro straps.
- Do not install slack management spools when using Mod link MTP assemblies.
- Mark cable jacket 18" back from MTP connector with a marker.
- Secure cable with Velcro or wire ties at the point of entry
- Route the slack inside the enclosure around the spool.
- Group cables by side and secure them using the Velcro strap.
- Velcro strap should be kept loose to allow flexing with opening and closing of drawer.



**Fig.5**

### WARNING:

1. Never look into the connector of MTP assembly or terminated fiber. Laser light may be present and is invisible. Serious eye damage is possible.
2. In the entire cases test the drawer after the fiber is secured to verify the drawer can open and close without restriction.

### Installing Fiber Adapter Plates (Fig. 6)

- Up to four Fiber adapter plates can be installed in the enclosure.
- Adapter plates utilize corner retention push pins when pulled upon two corner fasteners.
- Position the Fiber adapter plate in the appropriate location within the enclosure and push the two corner fasteners gently back until they will go no further.

#### WARNING:

Dust caps should be left intact on all adapters not in use.

Never look into an open adapter as laser light may be present and is invisible. Serious eye damage is possible.

### Installing Mod Link Cassettes

- Up to four Mod link cassettes may be installed in the enclosure.
- Mod link cassettes utilize corner retention push pins which when pulled upon open two corner fasteners.
- Position the Mod link cassettes in the appropriate location within the enclosure and push the two corner fasteners gently back until they will go no further
- Splice Cassette installation also will follow the same procedure as Mod Link Cassette.

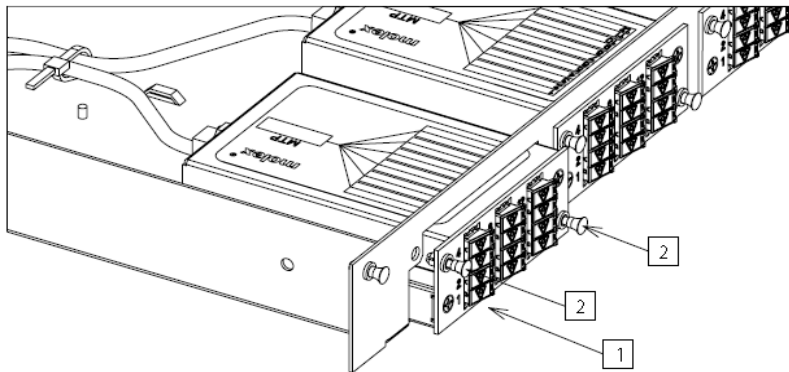


Fig. 6