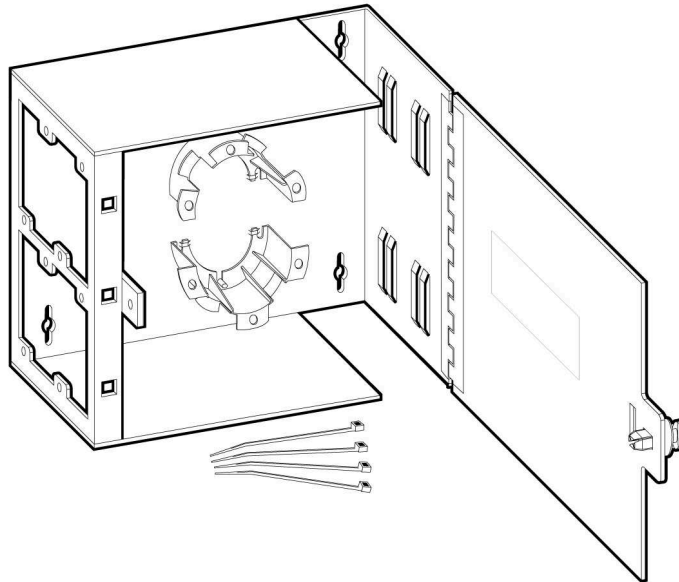


LI-24



1.0 SCOPE

This document provides Installation Instructions of LI-24

2.0 PRODUCT DESCRIPTION

This is LI-24

Order No.	Description
15.B016G	LI-24-Graphite
WFR-00019	LI-24-Champagne

Dimensions

8.0"H x 9.875"W x 3.0"D
203mm x 251mm x 76mm

3.0 REFERENCE DOCUMENTS

4.0 PROCEDURE

4.1 GENERAL REQUIREMENTS

4.2 ASSEMBLY INSTRUCTIONS

4.3 REMOVAL INSTRUCTIONS

MPN NO.	SAP NO.
215-106	187000385

REVISION: A3	ECR/ECN INFORMATION: EC No: MTS2013-0071 DATE: 2013 / 07 / 16	TITLE: INSTRUCTION SHEET LI-24	SHEET No. 1 of 4
DOCUMENT NUMBER: AS-18700-070	CREATED / REVISED BY: Snagaravenka	CHECKED BY: CG,Raghavan	APPROVED BY: Berryman, John

STEP 1

CONFIGURE THE LI-24

- A. Mount the LI-24 to a wall or other surface. Molex premise Networks recommends mounting on a plywood backboard
- B. Apply the port identification label to either the inside or outside of the door, depending on your requirements.
- C. Assemble and install the quarter –turn fastener as shown in Fig.1
 1. Push the square part of the assembly (receptacle) in to the square hole in the door, as shown.
 2. Snap the screw head (stud) into the receptacle.
 3. Turn the screw head one quarter turn counter-clockwise, using a coin or other appropriate tool.

The screw head will pop up, and the assembly will now mate with the square hole in the LI-24 body. Pushing and turning the screw head will secure the fastener.

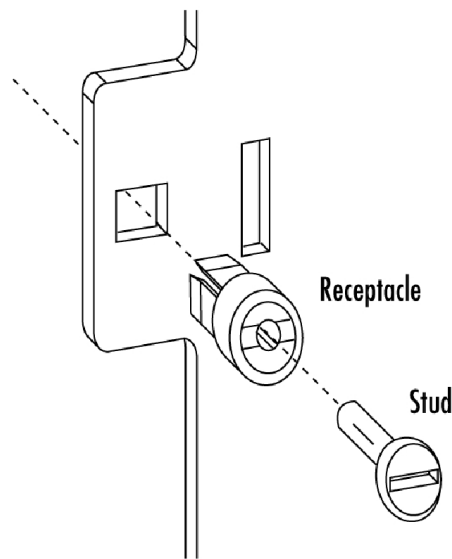


Fig.1

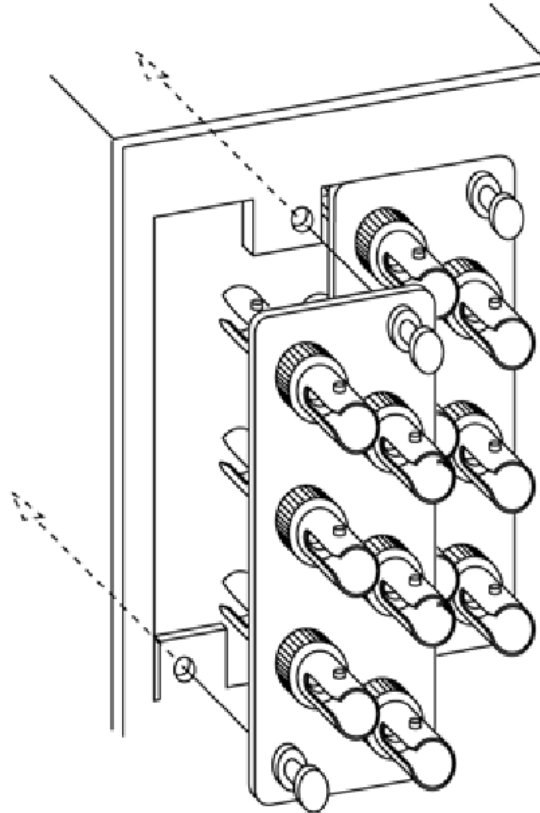
MPN NO.	SAP NO.
215-106	187000385

REVISION: A3	ECR/ECN INFORMATION: EC No: MTS2013-0071 DATE: 2013 / 07 / 16	TITLE: INSTRUCTION SHEET LI-24	SHEET No. 2 of 4
DOCUMENT NUMBER: AS-18700-070	CREATED / REVISED BY: Snagaravenka	CHECKED BY: CG,Raghavan	APPROVED BY: Berryman, John

STEP 2

Prepare and install the 6-Pak/ Adapter plates (purchased separately) Fig.2

Fig.2



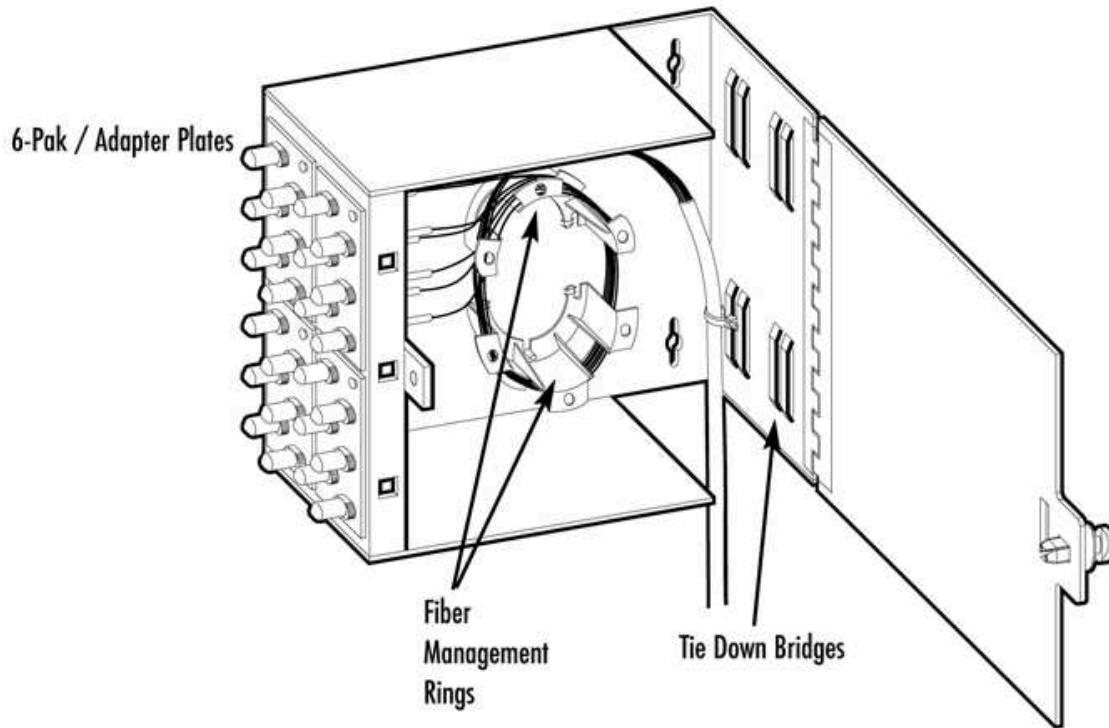
STEP 3

Secure jacketed cable to the cable tie down bridges. See below Fig.3. Route cables in to the LI-24 using the appropriate cut outs and fiber management rings.

MPN NO.	SAP NO.
215-106	187000385

REVISION: A3	ECR/ECN INFORMATION: EC No: MTS2013-0071 DATE: 2013 / 07 / 16	TITLE: INSTRUCTION SHEET LI-24	SHEET No. 3 of 4
DOCUMENT NUMBER: AS-18700-070	CREATED / REVISED BY: Snagaravenka	CHECKED BY: CG,Raghavan	APPROVED BY: Berryman, John

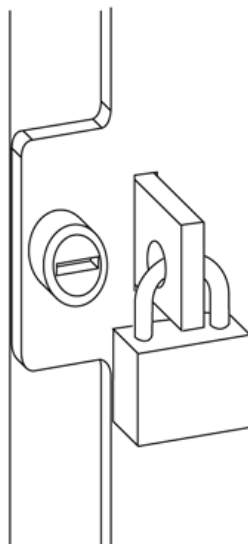
Fig.3



NOTE

For optimum security, a padlock can be used with this unit. Fig.4

Fig.4



MPN NO.	SAP NO.
215-106	187000385

REVISION: A3	ECR/ECN INFORMATION: EC No: MTS2013-0071 DATE: 2013 / 07 / 16	TITLE: INSTRUCTION SHEET LI-24	SHEET No. 4 of 4
DOCUMENT NUMBER: AS-18700-070	CREATED / REVISED BY: Snagaravenka	CHECKED BY: CG,Raghavan	APPROVED BY: Berryman, John