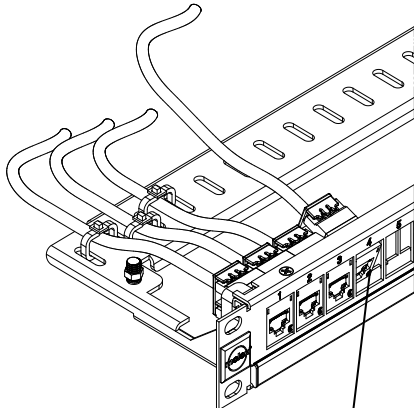


## Power Cat Data Gate Unloaded UTP/ Shielded Patch Panel Installation Instruction



### 1.0 SCOPE

This document provides installation instructions for Molex Power Cat Data Gate Unloaded (UTP or Shielded) Patch Panels. These panels are designed to work with Molex DG Cat 5e UTP, Cat 6 UTP, and Cat 6A Shielded jacks. Note: Panels will not work with Molex C5e or C6 shielded jacks.



INSERT JACK AT SLIGHT ANGLE AND PUSH

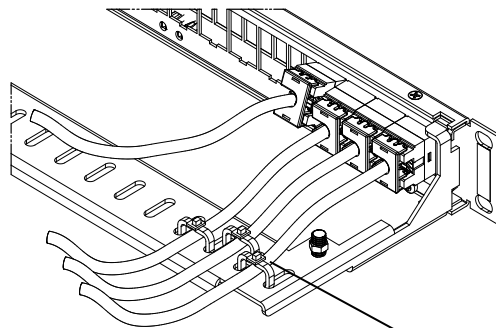
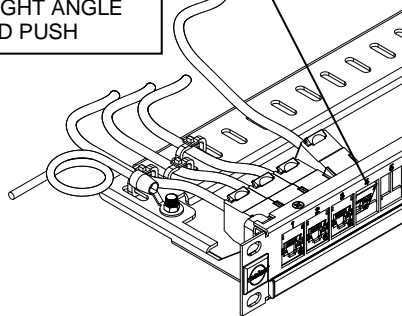


FIG. 1

SECURE CABLES TO CABLE TRAY WITH CABLE TIES

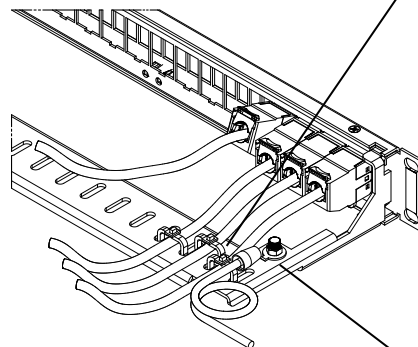


FIG. 2

EARTH PANEL ON RIGHT OR LEFT SIDE TO CABINET WHEN INSTALLING C6A SHIELDED JACKS

#### To assemble jack to patch panel:

1. Orient jack to panel (See Fig.1& Fig. 2).
2. Slide jack into patch panel port opening at slight angle (See Fig. 1 and Fig. 2)
3. Snap jack into panel by pushing down on top of jack.

#### To dress cable to patch panel cable tray:

1. Secure cables to cable tray with cable ties (See Fig. 1 and Fig. 2)
  - Ensure cable are dressed neatly to cable tray
  - Ensure a minimum 29mm (1") of bend radius is maintained
  - Ensure cable tie does not over compress cable
2. Individually Earth each patch panel to cabinet Earth position when installing C6A jacks (See Fig.2)
3. No Earthing is required for UTP panels (See Fig. 1).

EC/ECM NO: 115310	SAP NO : 187000415	Doc No: AS-18700-109 Doc part: AS	REV- A2
SAP EC NO: 10832335	<a href="http://www.molexces.com/">http://www.molexces.com/</a>		DATE: 2017/MAY/11