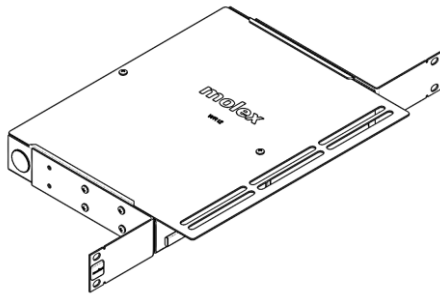
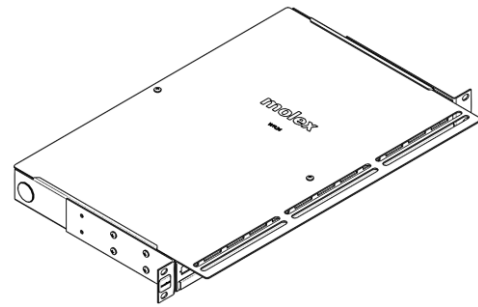


12 AND 24 PORTS WALL AND RACK FIBER ENCLOSURES**12P FIBER ENCLOSURE****24P FIBER ENCLOSURE****1.0 SCOPE:**

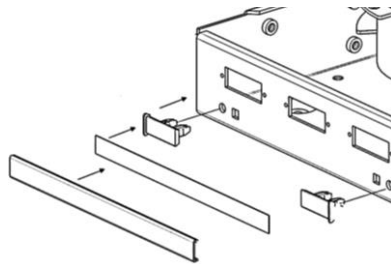
This document is intended to describe the installation instructions for WALL AND RACK FIBER ENCLOSURES 12P AND 24P

2.0 PRODUCT DESCRIPTION:

The Wall and Rack Fiber Enclosure can be used as a wall mount or rack mount. It allows rear, side and base access for Incoming/Outgoing cables and the cable management hub is provided to maintain the excess cables bend radius.

3.0 PROCEDURE:**3.1 Installing Label holders, Label and Label extrusion (Fig.1)**

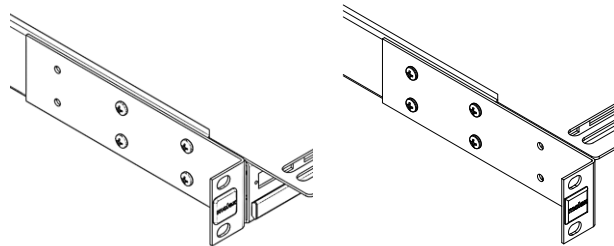
- The Label holders, Label and Label extrusion supplied in Accessory kit to be installed as shown below.

**Fig.1****3.2 Installing adjustable mounting angles (Fig.2)**

Installing adjustable mounting brackets for rack and cabinet mounting.

- The mounting brackets can be installed in one of two positions which affects the depth of the enclosure when installed in the rack or cabinet.
- Use M4 Philips pan head screws to attach mounting brackets to the enclosure.

NOTE: - Ear mounting fixtures shown fig.2 need not be used if enclosure is mounted on wall

**Fig.2**

ENGINEERING RECORD NO : 705558	SAP NO : 18700422	Doc No: AS-18700-116	Doc part: AS	REV- C
http://www.molexces.com				

3.3 Open/close slide cover (Fig.3)

- Release the cover by removing screws from base.
- Use even pressure on both the right and left side to pull and push the top cover.

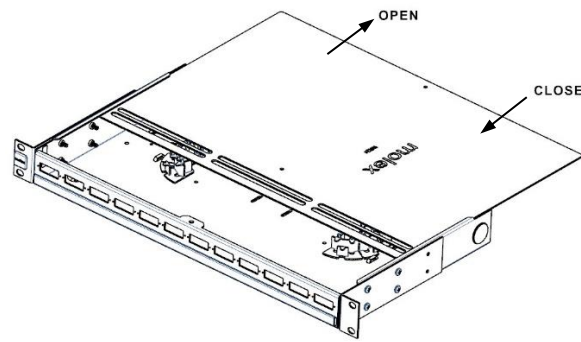


Fig.3

3.4 Installation of Cable Management hubs

3.4.1 Cable Management hubs (Fig. 4)

- Cable Management hub to be split into 2 halves.
- Cable Management hubs are secured onto the studs at position using Keps nuts tightened by a suitable Magnetic nut driver.

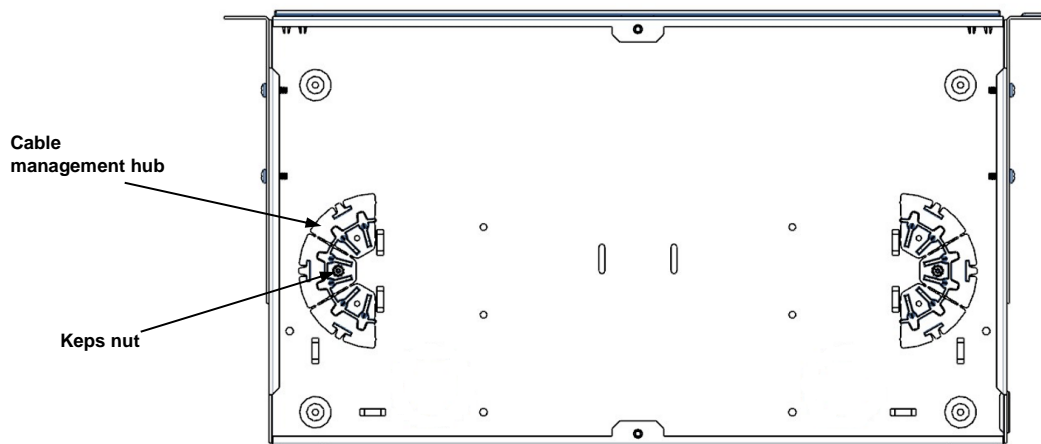


Fig.4

3.4.2 Back Cable Entry & Retention (Fig. 5)

- Cables can enter in either the left or right back side of the enclosure.
- Cable gland to be assembled to the enclosure in entry holes as shown in Fig.5.
- Secure cables with hook and loop fastener straps or cable ties to the strain relief / tie off feature.

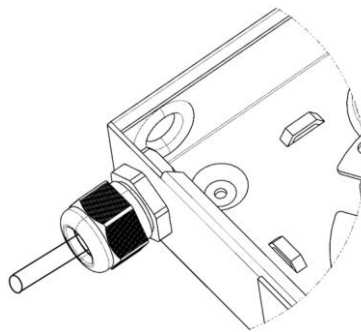


Fig.5

3.5 Armored Cable Grounding

Armored fiber optic cable metal sheaths may be terminated on the integral PEM studs (One on each side at the point of entry). A brass grounding nut is included in the accessory kit. For proper grounding practices refer to ANSI/J-STD-607-A grounding standard.

3.6 Installation of Adapters:

Position the adapters in the appropriate location as shown (Fig.6A&6B) and push them through rectangular cutouts to affix it to the enclosure base. Flanged type adapter shall be additionally fastened using self-tapping screws (provided) as shown (Fig.6C).

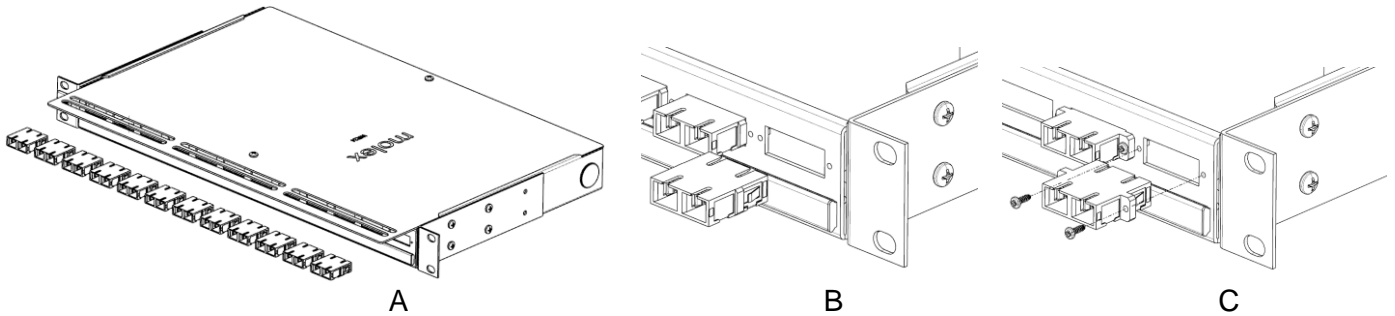


Fig.6

3.7 Cable slack and routing (Fig. 7)

1. Adequate slack must be included inside the enclosure for sliding cover to pull out.
2. Molex recommends a minimum of 1 meter (3.28 feet) of slack be stored inside the enclosure for tight buffered and loose tube cables.
3. Provide minimum 5" to 6" (127 mm to 152.4 mm) of slack between the cable entry point and the point where the cable begins to wind around the cable management hubs or bound by hook and loop fastener straps.
4. Secure cable with hook and loop fastener or wire ties at the point of entry
5. Route the slack inside the enclosure around the cable management hub.
6. Group cables by side and secure them using the hook and loop fastener strap.

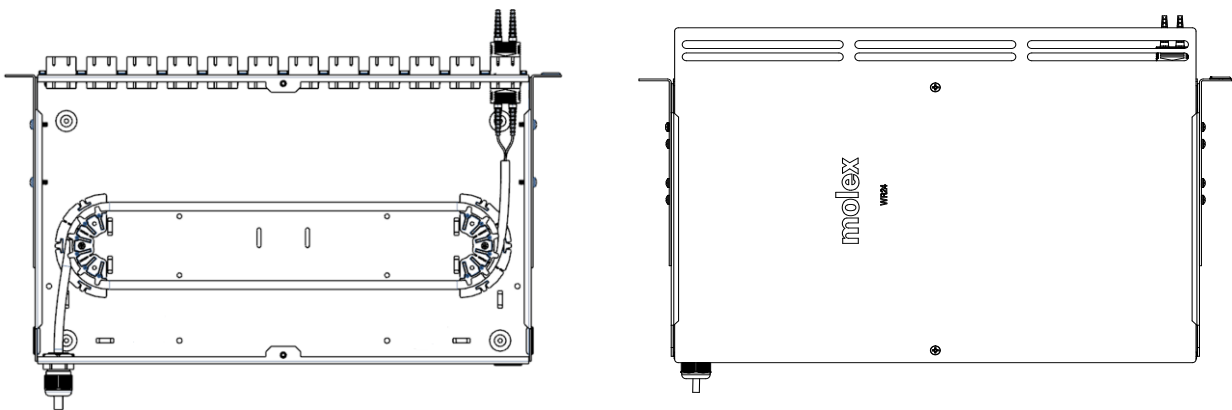


Fig.7

⚠ CAUTION:

1. Molex recommends wearing safety glasses when cutting fiber optic cable.
2. Never look into the connector of an MTP assembly or terminated fiber. Laser light may be present and is invisible. Serious eye damage is possible.
3. Dust caps should be left intact on all adapters not in use. Never look into an open adapter, as laser light may be present and is invisible. Serious eye damage is possible

4.0 Wall mount application (Fig. 8):

Assembly Sequence – Wall mounting Enclosure

Before installing the Enclosure, ensure that the wall or mounting surface has sufficient strength to support the wall mount and expected wall mount payload.

Recommended hardware's

- 5/32" or M4 wood screws with appropriate length(not provided) to mount enclosure to wall surface such as plywood. When mounting enclosure to any other wall type, use appropriate mounting hardware screw (not provided) and must be obtained locally.

4.1 STEPS:

Align and secure the enclosure base with screws on mounting surface for suggested pitch dimension in all the four hole positions

- Align and hang down the enclosure base callout four slots to the secured screws.
- Tighten all the screws maximum, without allowing space for Enclosure base for any movement.
- Remove the enclosure top cover, when enclosure base is mounted in the below shown position to work on fiber routing, termination and any other installation work, and install the top cover after that.

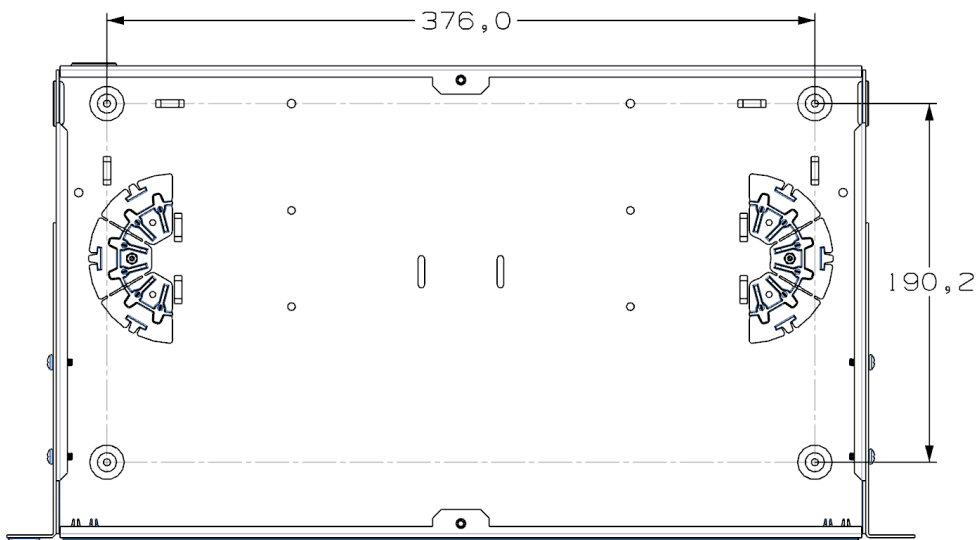


Fig.8
(Dimensions in mm)