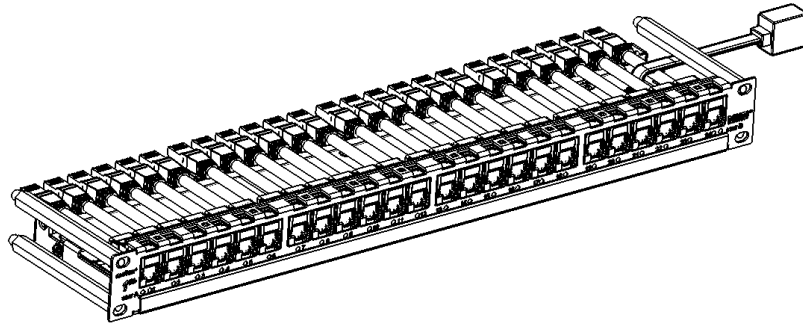


MIIM ICS 1 Gigabit/s UTP and Shielded Patch Panel



1.0 SCOPE

This document provides installation instructions for the Molex PID-00271, PID-00272, PID-00273, and PID-00274 MIIM ICS UTP and FTP Patch Panels.

NOTE: The existing panel the MIIM ICS panel will attach to must have jacks that are greater than 18mm from the bottom of the panel. Panels with jacks lower than 18 mm will be blocked by the MIIM ICS panel.

2.0 PROCEDURE

Tools required: Phillips screwdriver.

1. Document patch cords on each panel to be upgraded. If multiple panels in a rack will be upgraded to MIIM ICS, recommended sequence is to start with the lowest panel and then work up the rack to the highest panel.
2. Remove patch cords from existing panel.
3. Remove mounting screws from existing panel on the rack and replace with standoffs (two required, four recommended). Standoffs should be hand tightened. (see Figure 1)

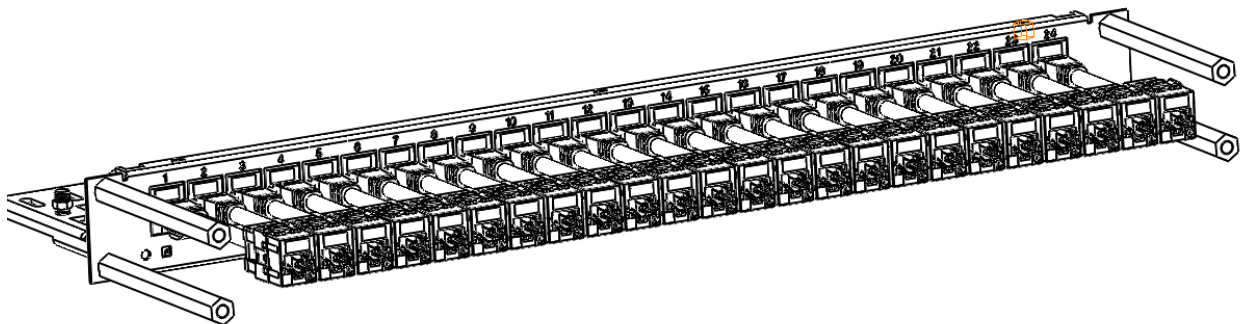


Figure 1

4. Insert MIIM ICS jack assemblies on each existing panel port (see Figure 1).

MIIM 1 Gigabit/s UTP Patch Panel

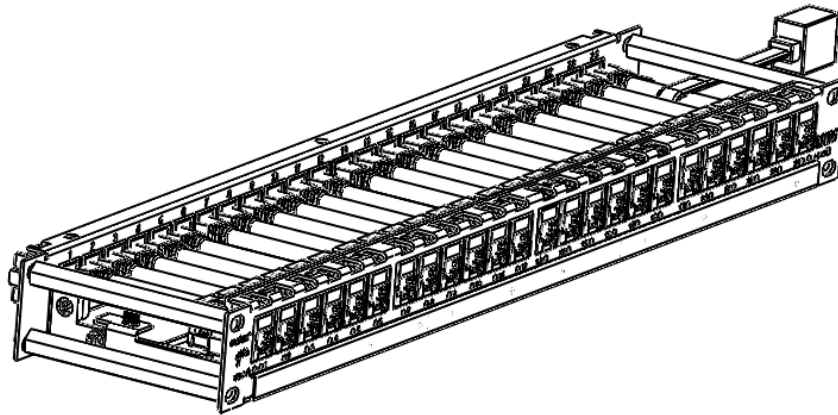


Figure 2

5. Remove protective cardboard inserts from the panel bezels.
6. Loosely attach MIIM ICS panel on standoffs. Use screws from the panel to secure MIIM ICS panel to standoffs. MIIM ICS panel should have freedom of movement to facilitate attaching jacks (see Figure 2).

Note: Earthing / grounding the panel may be easier to complete before jacks are attached to the panel. See Earthing / grounding instructions.

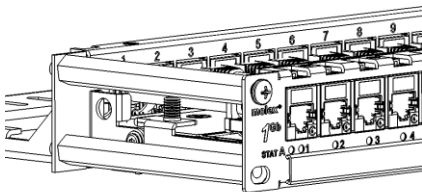


Figure 3

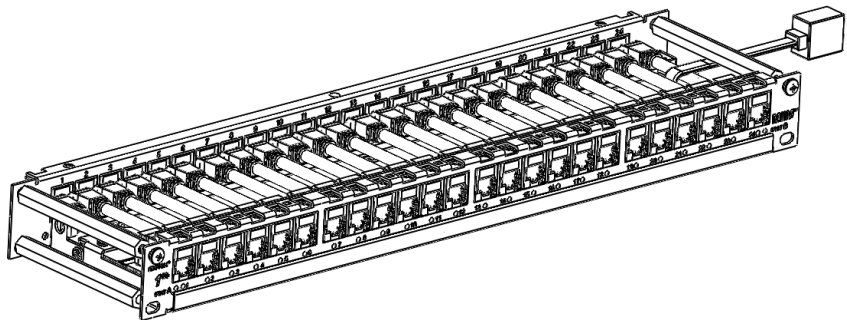


Figure 4

7. Insert each MIIM ICS jack into the corresponding MIIM ICS panel port. Front of jack should be flush with the panel front and jack latch should lock jack in place (see Figure 3).
8. Secure MIIM ICS panel to the standoffs by tightening screws.
9. Attach MIIM ICS scanner connector to E-module.
10. Connect MIIM panel through the scanner connector to the MIIM Scanner with a Category 5e or better patch cord (see Figure 4). The panel is powered by the scanner and will automatically turn on. Power is indicated by the Stat B LED on the front of the panel.
11. Attach patch cords to MIIM ICS panel.

MIIM 1 Gigabit/s UTP Patch Panel

Earthing / grounding for patch panels:

1. Individually earth (ground) each patch panel to cabinet earth (ground) position by securing grounding lug to panel grounding stud (see Fig. 5).
2. Consult local electrical code for required earthing / grounding wire gauge.

NOTE: Large grounding lugs may interfere with the E-module locking bar.

To replace panel components:

1. Disconnect cable to scanner.
2. Apply pressure to front of jack.
3. Use screwdriver or similar tool to lift the latch above jack and release jack (See Fig. 6).
4. After releasing all jacks, remove screws from MIIM ICS panel.
5. Slide panel forward. Replace panel components as necessary.
6. Follow installation instructions to reassemble the MIIM ICS panel.

To remove E-Module from panel:

Note: Removing E-module will cause loss of continuity on all 24 jacks on the panel. Replacement E-module or MIIM continuity boards should be available to restore continuity.

1. Lift locking bar up and rotate locking bar toward the front of the panel to disengage the E-module from the panel (see Fig. 7)
2. Remove E-module.
3. Install replacement E-module or MIIM continuity boards.

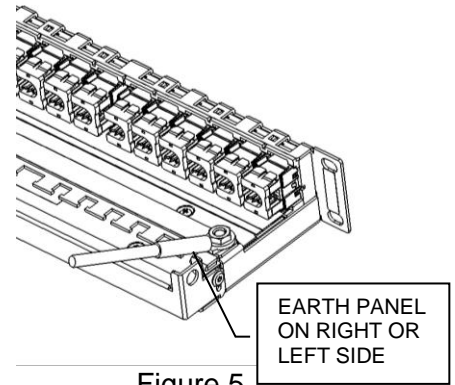


Figure 5

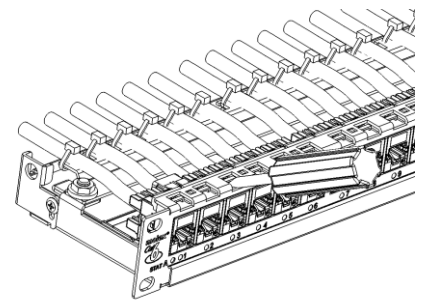


Figure 6

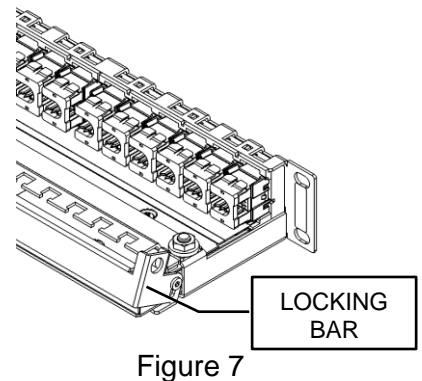


Figure 7