

IN-LINE 48 FIBER SPLICE ENCLOSURE



1. Scope

In-Line 48 fiber splice enclosure is a small fiber optic splice enclosure that made of high-quality ABS material. It is widely applied to the splicing and distributing variable optical cables.

2. Procedures

- Open the Splice enclosure as shown (Fig 1)



Fig 1

- Enter the Fiber optic cable into the Splice enclosure through cable entry slot as shown (Fig 2)
- Splice the each fiber and place the spliced fiber into the Splice tray.
- Coil the excess cables into the fiber spool and route the Fiber through exit slot.

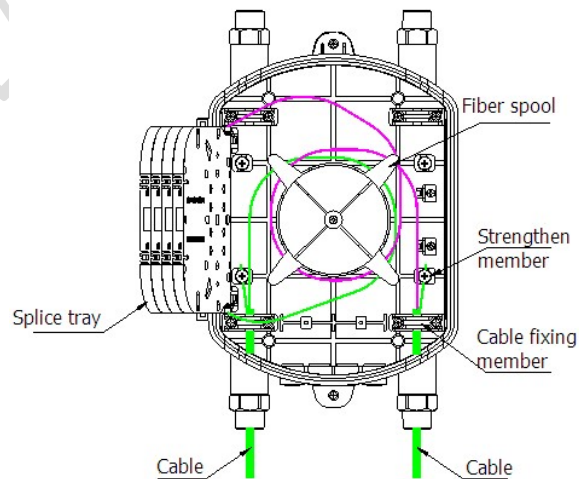


Fig 2

ENGINEERING RECORD NO : 627967	SAP NO : 187000538	Doc No: 187000538 Doc part: AS	REV- A
http://www.molexces.com/			DATE: 2019/DEC/03

- Close the Splice enclosure top cover after the cable routing as shown (Fig 3)



Fig 3

3. CAUTION: Molex recommends wearing safety glasses When cutting fiber optic cable.

- WARNING:
 1. Never look into the connector of an MTP assembly or terminated fiber. Laser light may be present and is invisible. Serious eye damage is possible.
 2. Dust caps should be left intact on all adapters not in use. Never look into an open adapter, as laser light may be present and is invisible. Serious eye damage is possible.

PRE RELEASE REFERENCE USE ONLY