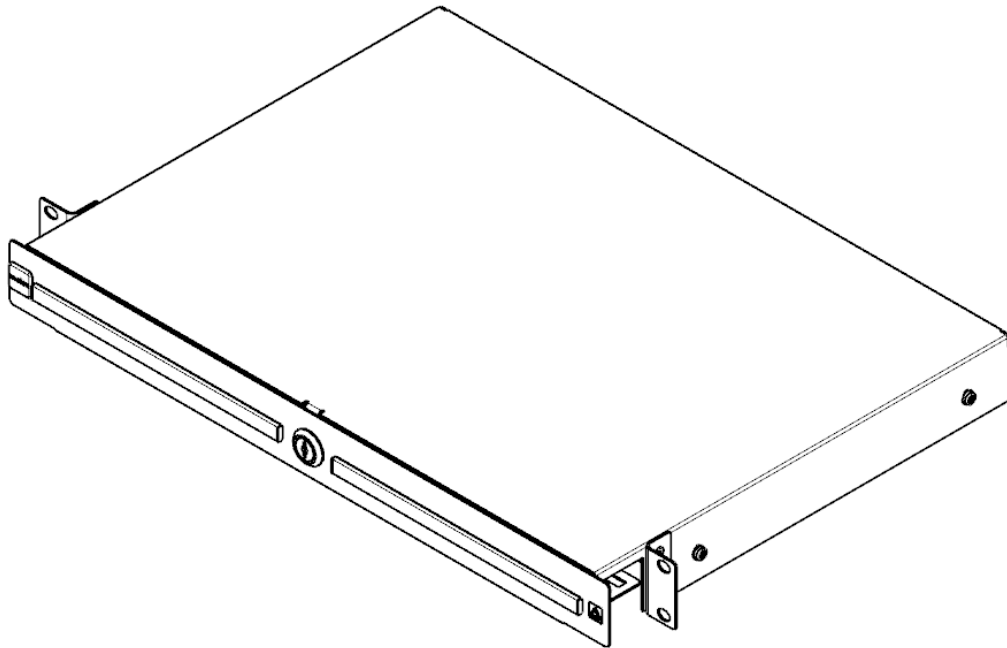


1U 24 PORT CONFIGURABLE FIBER SLIDING DRAWER LOCKABLE-UNLOADED

WARNING: Improper use of this product or failure to follow these instructions may result in equipment Damage and personal injury. Read and understand all instructions for proper installation and use of this product.



1.0 SCOPE

This document will provide installation instruction of the 1U 24 port configurable Fiber sliding drawer lockable-unloaded.

2.0 PRODUCT DESCRIPTION

The 24P FMS termination drawer is a 1U configurable rack mount unit for storing and terminating incoming fibre cable. The front of the drawer slides open to reveal a recessed configurable patch panel that accepts up to four 6-pak adapter plates the 24P FMS comes with a keyed lock, to provide a compact, secure termination drawer.

3.0 PROCEDURE

3.0.1 Open/close slide drawer (Fig.1)

- Release the plunger from grommet.
- Use even pressure on both the right and left side to pull and push the cover.
- Slide cover out to its point of full extension.

ENGINEERING RECORD NO : 636541	SAP NO : 187000548	Doc No: 187000548	Doc part: AS	REV-A
http://www.molexces.com				

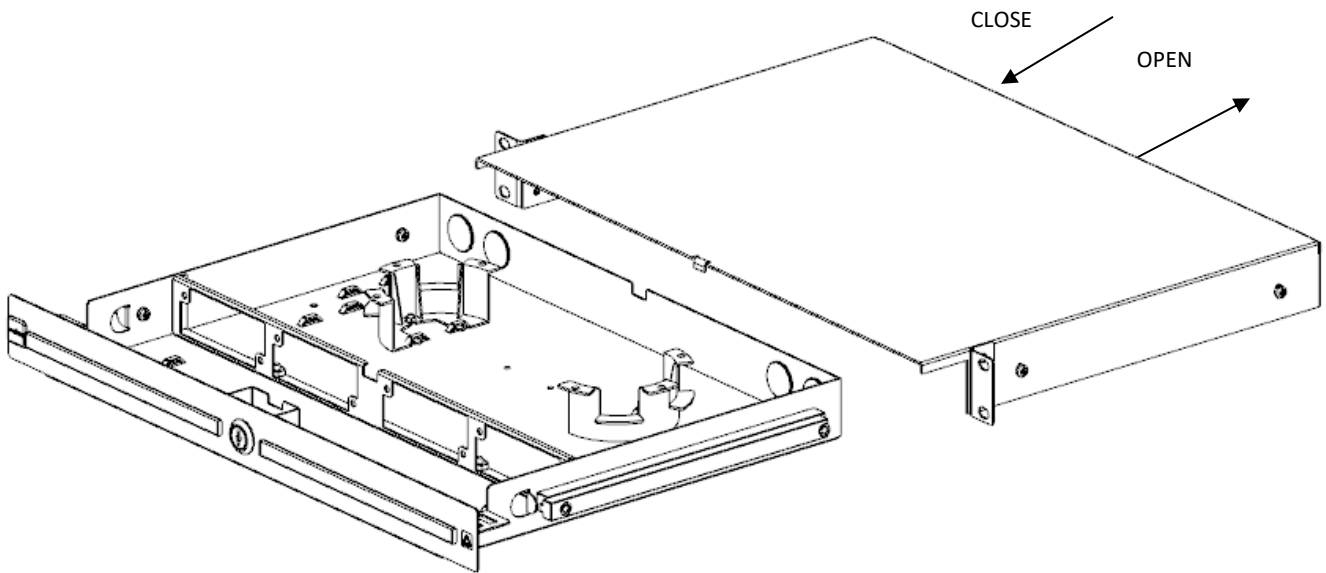


Fig.1

3.0.2 Installation of cable management rings & Adapter plate multi media panel(Fig. 2)

- Management rings & Adapter plate multi media are secured using kep nuts

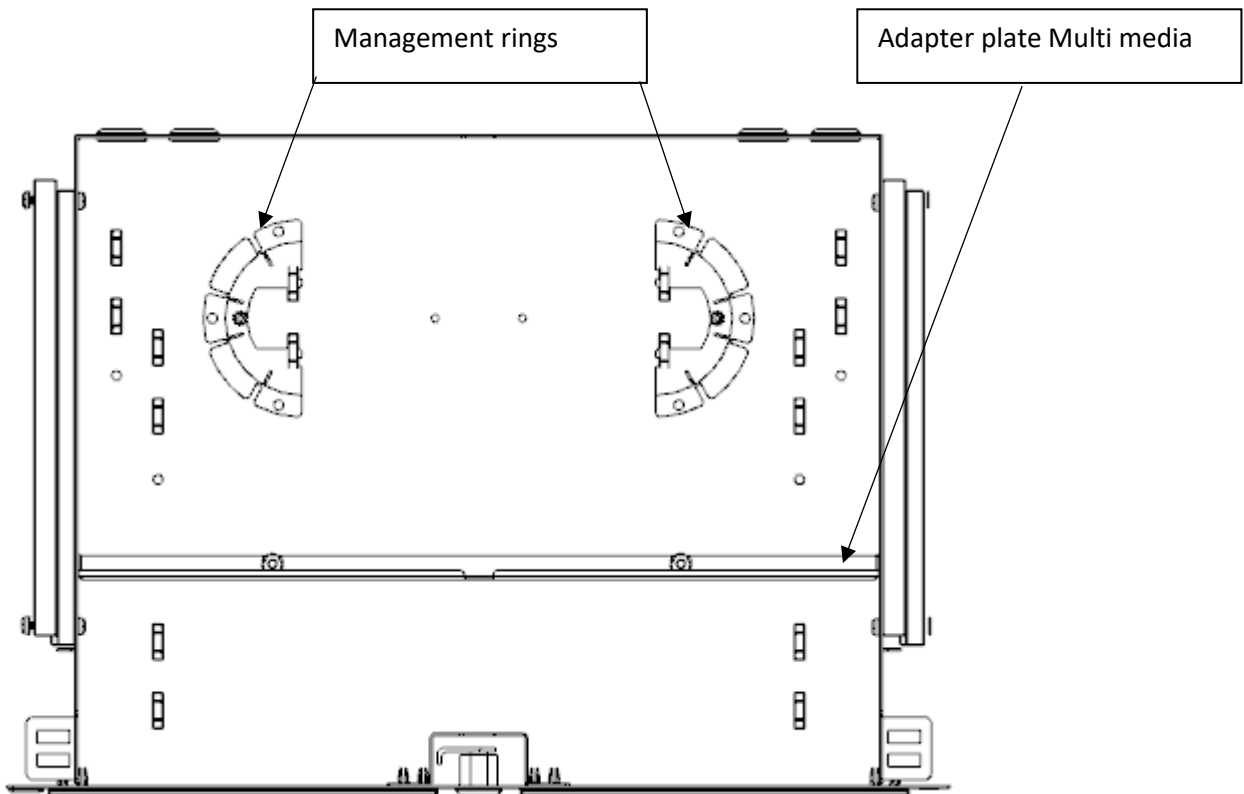


Fig.2

3.0.3 Back Cable Entry & Retention (Fig. 3)

- Cables can enter in back side of the enclosure.
- Secure cables with Velcro strips or cable ties to the strain relief / tie off feature.

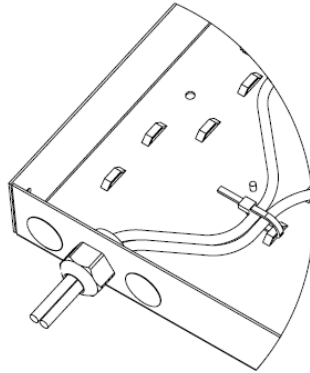


Fig. 3

CAUTION: Molex recommends wearing safety glasses When cutting fiber optic cable.

3.0.4 Installing Fiber Adapter Plates (Fig. 4)

- Up to four fiber 6 pack adapter plates can be installed in the base drawer.
- Adapter plates utilize corner retention push pins when pulled upon two corner fasteners.
- Position the Fiber adapter plate in the appropriate location within the base drawer and push the two corner fasteners gently back until they will go no further.

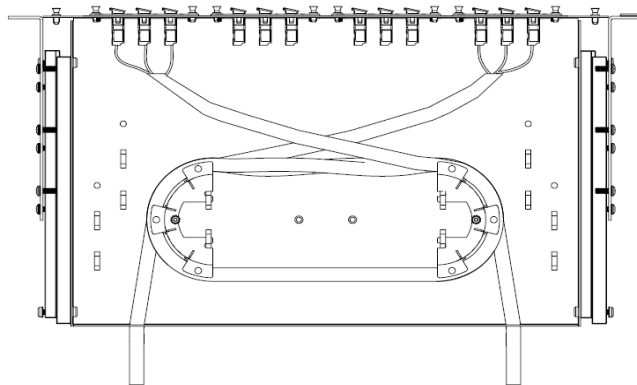


Fig.4

Product images shown is for reference purpose only.

WARNING:

1. Never look into the connector of MTP assembly or terminated fiber. Laser light may be present and is invisible. Serious eye damage is possible.
2. In the entire cases test the drawer after the fiber is secured to verify the drawer can open and close without restriction.

WARNING:

Dust caps should be left intact on all adapters not in use.
Never look into an open adapter as laser light may be present and is invisible. Serious eye damage is possible.