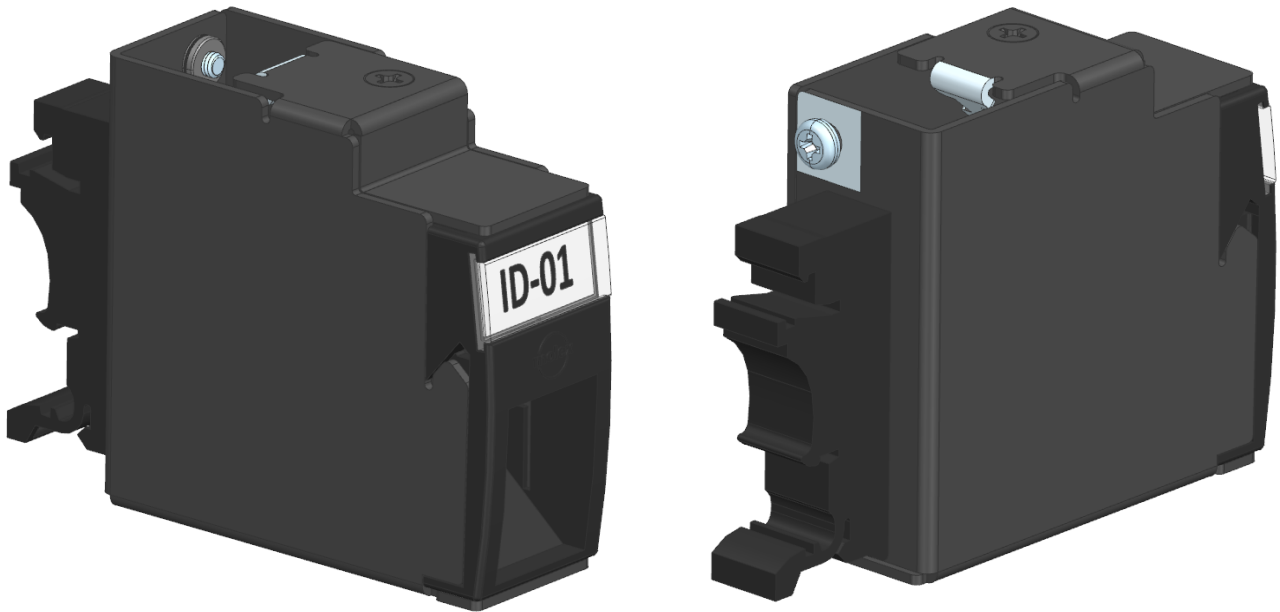


DIN RAIL-UNLOADED DATAGATE ADAPTER STP/UTP-BLACK



DIN RAIL-UNLOADED DATAGATE ADAPTER STP/UTP-BLACK

1.0 SCOPE:

This document is intended to describe the installation instructions for DIN RAIL-UNLOADED DATAGATE ADAPTER STP/UTP-BLACK

2.0 PRODUCT DESCRIPTION:

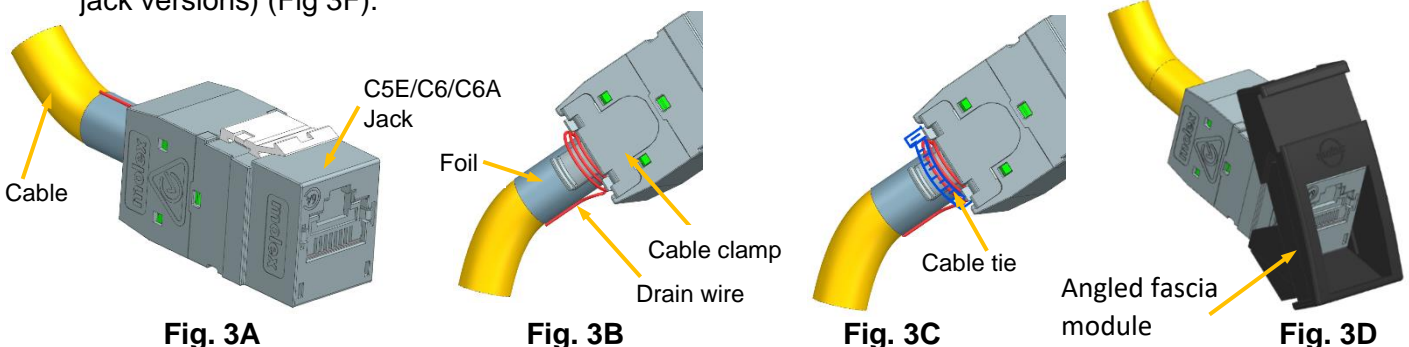
Din rail jack adapter is designed to mount a single Molex C5E, C6 unshielded and C6A shielded datagate jack assembly onto the DIN rail. (Masked regions to be used for grounding of the shielded versions)

3.0 PROCEDURE:

3.1 Installing(mounting) jack assembly & facilitate grounding (Fig.3A to 3D)

3.1.1 Installing (mounting) the Jack assembly into the base of the adapter.

- Connect the cable with jack assembly by termination process, make sure enough length of sheath is cut, so that foil is long enough to wind around the cable tightly and make contact with the bare face (masked region) (Fig 3A)
- Also drain wire to be long enough to wind around cable clamp neck and tied tightly with a cable tie and also to make contact with the bare face (masked region) of the hook feature (for grounding) (Fig 3B & 3C).
- Insert the jack assembly with cable into angled fascia module, ensure the orientation of jack assembly is as shown in the below images (Fig 3D)
- Slide down the angled fascia module with jack assembly into the base (Fig 3E).
- Tie the cable of the jack assembly to the hook feature using cable tie tightly enough, to make sure that foil and drain wire makes good contact with masked region on hook feature (only for shielded jack versions) (Fig 3F).



ENGINEERING RECORD NO: 748641	SAP NO: 187000569	Doc No: 187000569	Doc part: AS	REV- A1
http://www.molex.com				

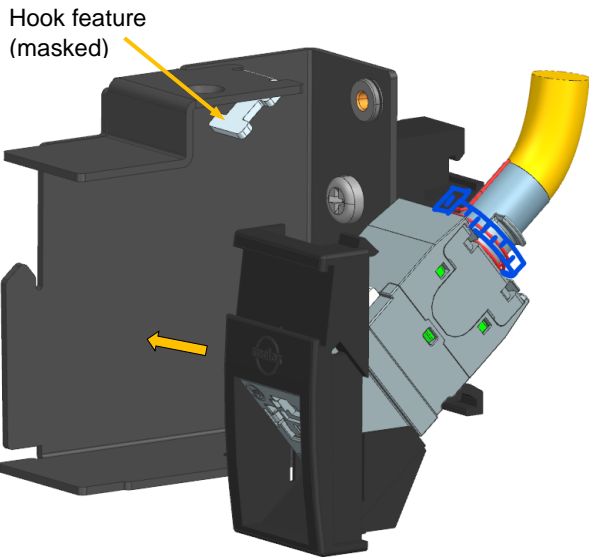


Fig. 3E

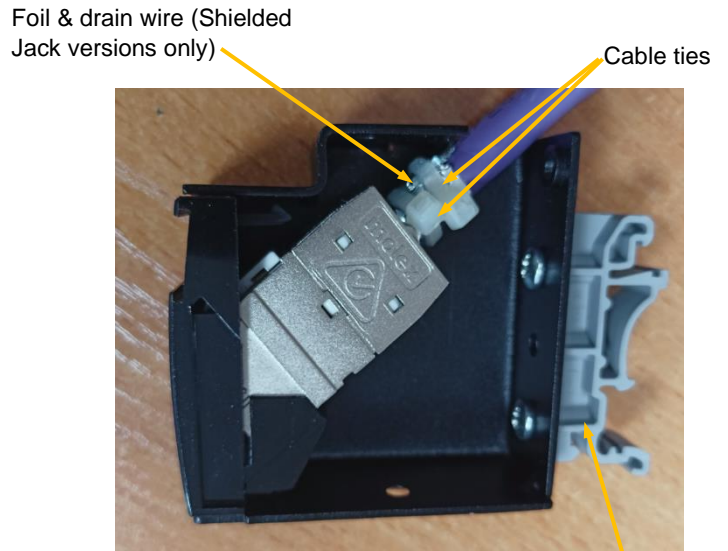


Fig. 3F

Plastic DIN clip
(Gray / Black)

3.1.2 Close the base using side cover (Fig.3G and 3H)

- Assemble the side cover using M3 countersunk screws as shown in the below image.

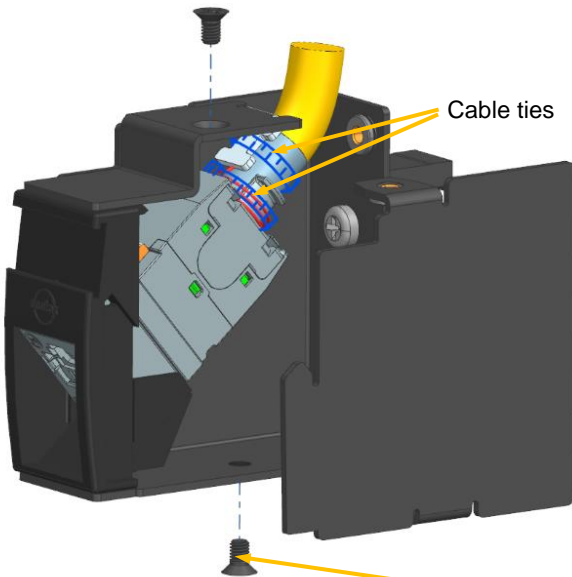


Fig.3G M3 CSK screws



Fig.3H

3.2 Insert the Port ID label & label holder (Fig.3J and 3K)

- Insert the port ID label into label holder and then into the groove of angled fascia module as shown below images.

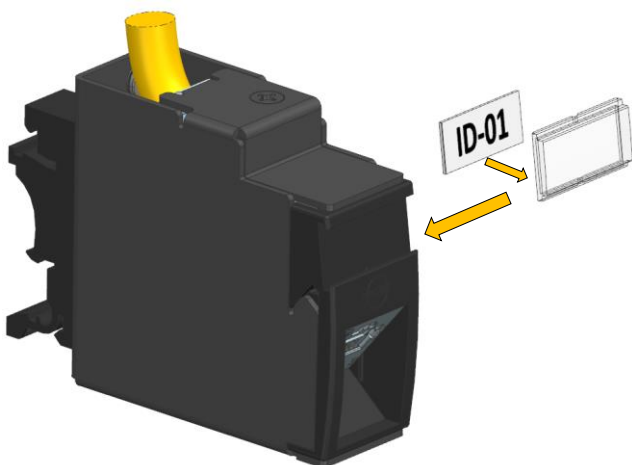


Fig.3J

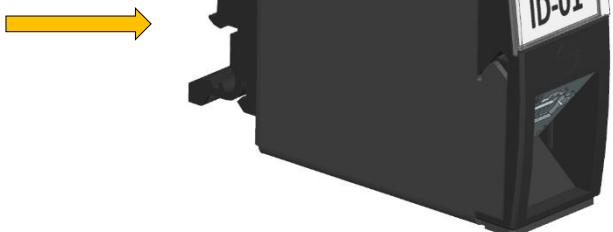


Fig.3K

3.3 Equipment grounding (Only for shielded Jack assembly versions). (Fig.3L)

- Secure the lug terminal of the grounding wire at the bare face (masked region) at rear of the base using grounding screw. (Fig 3L)
- Grounding screw shall be firmly tightened making full contact with lug & masked region on adapter base body.

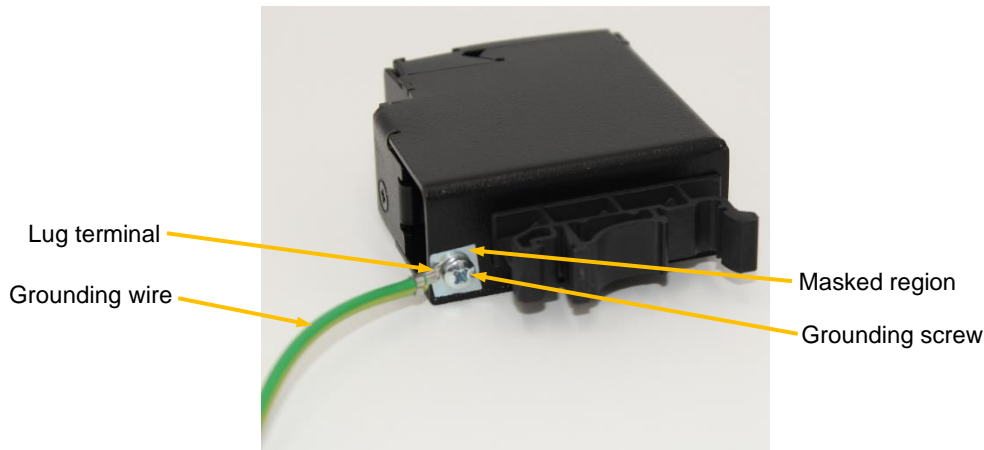


Fig.3L

3.4 Installation of Jack adapter onto the DIN rail (Fig.3M, 3N, 3P & 3Q)

- Install the assembled jack adapter onto the DIN rail using the snapping features on the plastic DIN clip. Place the top snap feature onto the DIN rail and gently push the assembly until the bottom flexible snap feature engages with the DIN rail (Fig 3K).
- Grounding wire from Adapter to be connected to grounding bar of the cabinet/rack.

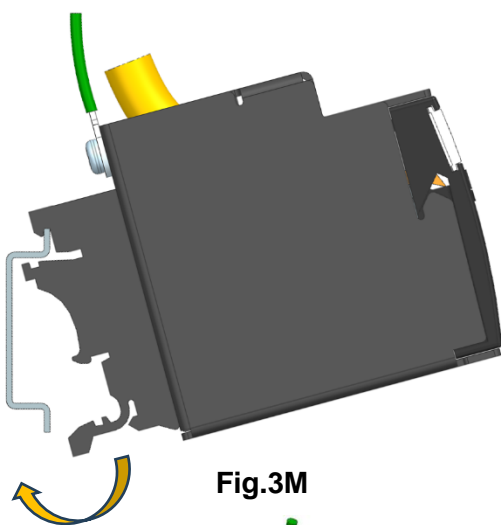


Fig.3M

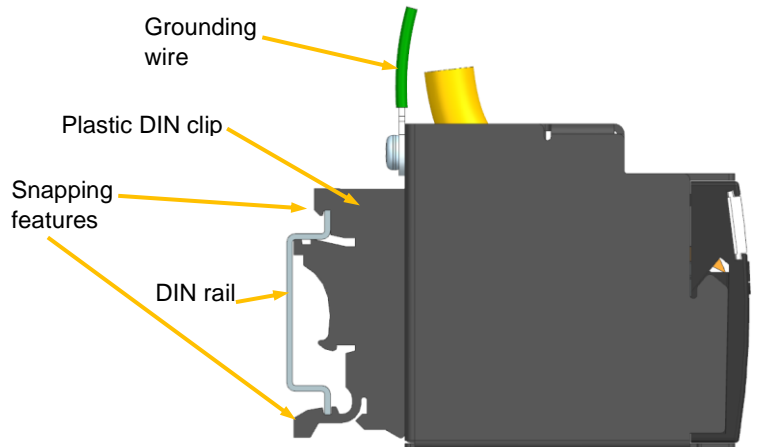


Fig.3N

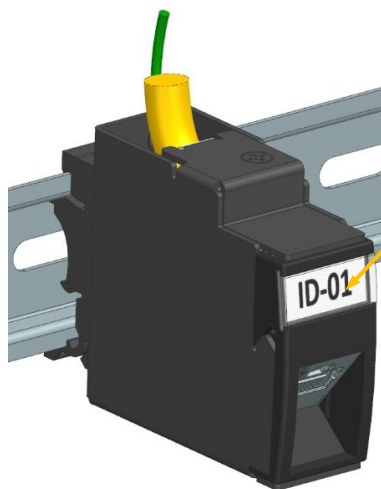


Fig.3P

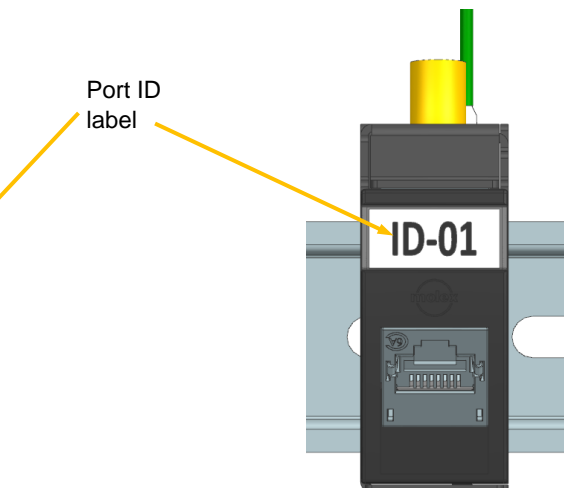


Fig.3Q