

PLUG FIELD TERMINATION C6 UTP

1.0 Scope

This document provides Installation Instructions for Molex C6 Field terminable Plug.

2.0 Product Description

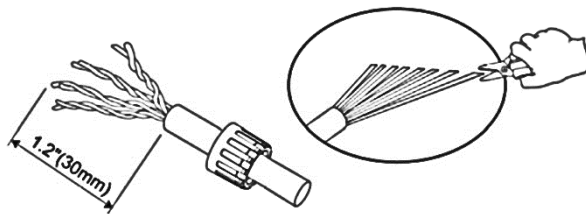
FIELD TERMINATION PLUG C6 UTP.

3.0 Procedure

Tools required: Plier, cable strippers, wire clippers, and screwdriver.

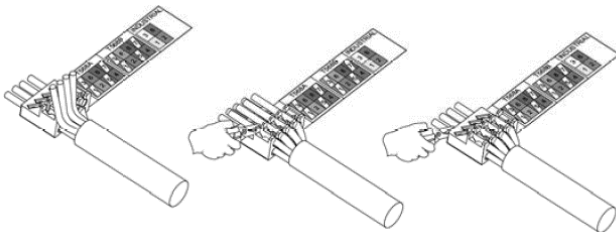
Step 1

- Insert cable through cable gland. Strip off cable jacket for 30mm(1.2"), Fan out all four twisted pairs, cut the conductors as shown.



Step 2

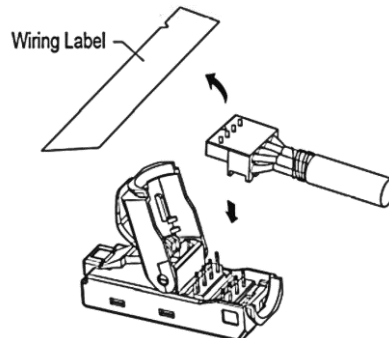
- Following the color-coding label and allocate each conductor into proper slot on wiring cap. Trim the ends of conductors.



JACK PIN DESIGNATIONS	TIA / EIA T568A	TIA / EIA T568B	INDUSTRIAL
	1	White/Green	White/Orange
2	Green	Orange	Orange
3	White/Orange	White/Green	White
6	Orange	Green	Blue
4	Blue	Blue	
5	White/Blue	White/Blue	
7	White/Brown	White/Brown	
8	Brown	Brown	

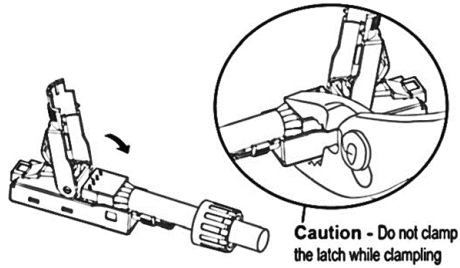
Step 3

- Remove the wiring label before place wiring cap on plug.



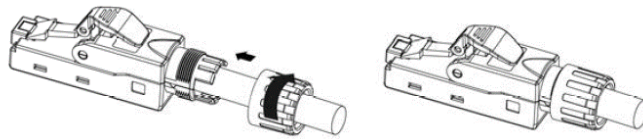
Step 4

- Place the wiring cap onto plug, use plier to clamp wiring cap until it completely snap-in to effect the connection.



Step 5

- Close plug cover, make sure the drain wire is in proper contact with grounding clip on plug. Place back the latch. Rotate the cable gland to fasten and complete the installation.



Unload the cable

- Release the cable gland and Open plug cover. Using flat screwdriver pry gently on plug cover one end first and the other end subsequently to open it. As shown below.

