

**PANEL 50P RJ45 UTP 2PR VOICE 1U BLACK****1.0 SCOPE**

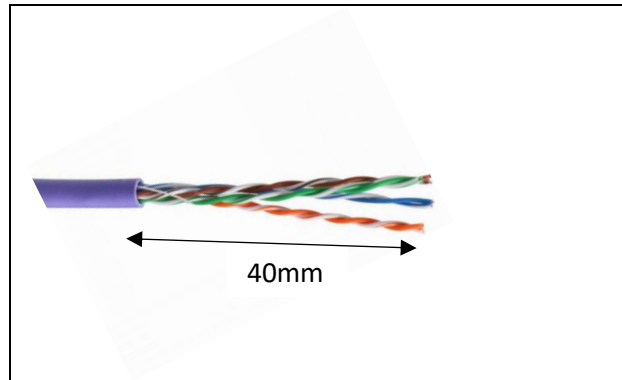
This document describes the installation instructions for the Molex 50 Port 2 pair voice transmission patch panel.

**2.0 PROCEDURE****2a. Termination Tool:**

This panel must be terminated with an industry standard **LSA 2A Punch Down Tool only**. Do not use a 110 tool to terminate the IDC's on this panel to avoid damage to the housing and contact.

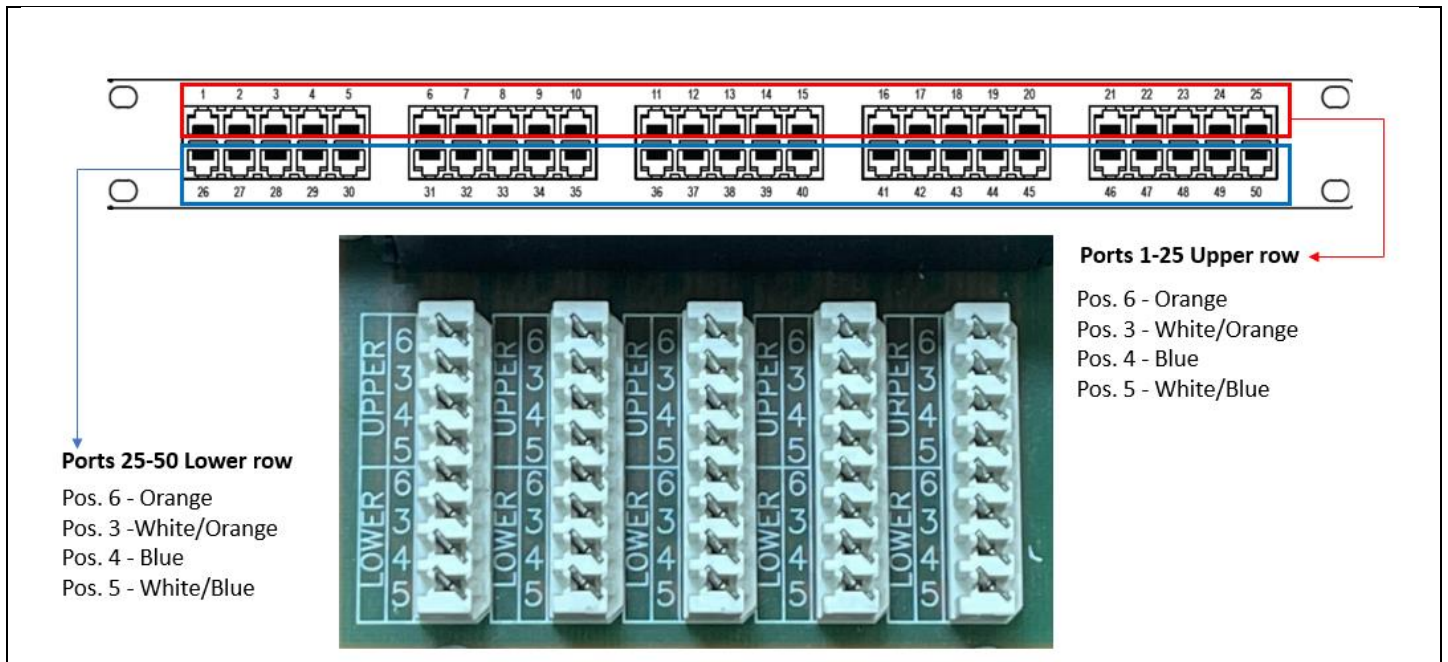
## 2b. Termination Procedure

Strip 40mm of cable sheath from cable



2c. Cut brown/brown white pair and green/green white pair parallel with the cable sheath.

2d. Terminate the IDC as shown below



2e. Secure cables with cable tie on cable manager.

2f. Ground panel to cabinet or rack for lightning protection.

