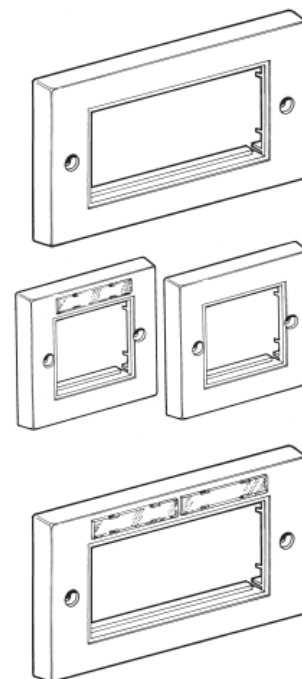


Euromod Single/Double Gang Wallplates >

The Euromod system of wallplates provides a flexible and versatile method of installation. This modular system offers a wide range of wallplates and modules that allows the user to install as many or as few data or voice outlets as required. The system caters for small and large systems alike.

The Euromod Single and Double gang wallplate system is the basis of this modular approach. The single gang wallplate has a 50 x 50mm aperture and the double gang a 50 x 100mm aperture, which accepts two (single gang) or four (double gang) of the Euromod range of data, voice or blank modules (modules have a 25 x 50mm fascia size).

The polished face of these wallplates offers a quality finish, ideal for office installations and the styling complements most UK style electrical power outlets.



FEATURES AND ADVANTAGES

50 x 50mm aperture size (single gang)

50 x 100mm aperture size (double gang)

Available with or without labelling facility

Fixing screws provided

Quality polished finish

Accepted by all UK backboxes

ORDERING INFORMATION

Order No.	SAP No.	Description
17-0101-02	Consult Molex	Single Gang Wallplate (No Labelling Facility)
17-0102-02	Consult Molex	Double Gang Wallplate (No Labelling Facility)
17-0111-02	Consult Molex	Single Gang Wallplate (With Labelling Facility)
17-0112-02	Consult Molex	Double Gang Wallplate (With Labelling Facility)
Accessories		
17-0414-02	Consult Molex	Full Blank Module 50 x 50mm
17-0413-02	Consult Molex	Half Blank Module 25 x 50mm
17-0412-02	Consult Molex	Quarter Blank 12.5 x 50mm

www.molex.com/products/copper/Outlets

Molex is a registered trademark of Molex, LLC in the United States of America and may be registered in other countries; all other trademarks listed herein belong to their respective owners. This information is correct at the time of publication, specifications are subject to change.

Order No. 17-0101-02_17-0112-02

NK/2024.03

©2024 Molex