

## Features and Benefits

Euromod is a modular range of outlets, plates & connectors designed for use in different countries. In addition to the existing range of Euromod modules for use with copper media, Molex Premise Networks also provide an extensive range of solutions for Fibre Optic applications.

These modules can be mounted in:

- Any Euromod compatible outlet
- WM12 Wall box
- MMI

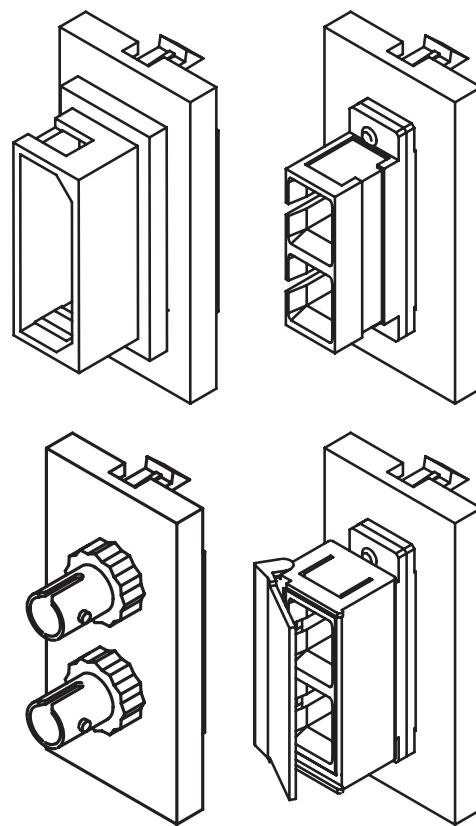
Note: The Duplex SC shuttered version is highly recommended for Fibre to the desk (FTTD) applications.

- 25x50 mm module
- Euromod compatible
- Available with ST®, DuplexSC/ST®, DuplexSC, Duplex SC Shuttered and MT-RJ adapters
- Multimode & Singlemode configuration

Dimensions:

Half module = 25 x 50mm

Shipping Weight: <22g



## ORDERING INFORMATION

Order No.	SAP No.	Description
17.A0342	Consult Molex	Euromod ST® Fibre Module, Singlemode - 2 Adapters
17.0423-02	Consult Molex	Euromod ST® Fibre Module, Multimode - 2 Adapters
17.A0162	Consult Molex	Euromod Duplex SC Fibre Module, Multimode - 1 Adapter
17.A0172	Consult Molex	Euromod Duplex SC Fibre Module, Singlemode - 1 Adapter
17.A0182	Consult Molex	Euromod Duplex SC/ST® Fibre Module, Multimode - 1 Adapter
17.A0192	Consult Molex	Euromod Duplex SC/ST® Fibre Module, Singlemode - 1 Adapter
17.A0202	Consult Molex	Euromod Duplex SC Shuttered Fibre Module, Multimode - 1 Adapter
17.A0212	Consult Molex	Euromod Duplex SC Shuttered Fibre Module, Singlemode - 1 Adapter
17.A0222	Consult Molex	Euromod Duplex SC/ST® Shuttered Fibre Module, Multimode - 1 Adapter
17.A0232	Consult Molex	Euromod Duplex SC/ST® Shuttered Fibre Module, Singlemode - 1 Adapter
MEU-00032-02	Consult Molex	Euromod MTRJ 4 Fibre Module, Multimode & Singlemode - 2 Adapters

## MOLEX PREMISE NETWORKS

**Americas**  
Tel: 630 969 4550  
www.molexpn.com

**EMEA**  
Tel: 44 (0)2392 205800  
www.molexpn.co.uk

**APAC**  
Tel: 61 3 9971 7111  
www.molexpn.com.au