

CoreSync PoE Gateway 2.0



The CoreSync PoE Gateway 2.0 is a low voltage power distribution and network connected module compliant with IEEE802.3bt standard that utilizes enhanced 90W-per-port PoE technology.

This PoE Gateway provides a usable 71 watts of power, control and secure 2-way communication with lights and other devices in a CoreSync-enabled building infrastructure.



Features and Advantages

Cisco UPOE and IEEE 802.3bt compliant device	Uses low voltage PoE infrastructure for power and communication
Input power up to 90W	Capable of powering a single LED fixture or multiple lower wattage fixtures
CoAP network communication	Easy and secure convergence of IP infrastructure
Fully integrated to Molex CoreSync control system	Distributes power and data to lights, sensors, and other CoreSync devices locally
UL 2108 compliant	Safe operation and industry standard compliance

Specifications

COMMERCIAL STANDARDS

UL 2108 compliant
FCC

ENVIRONMENTAL

Ambient Temperature: 0°C to +40°C
(-32°F to 104°F)
Max. operating temp.: 40°C (104°F)
Relative Humidity: 10-80% non-condensing
Environmental rating: Indoor

MECHANICAL

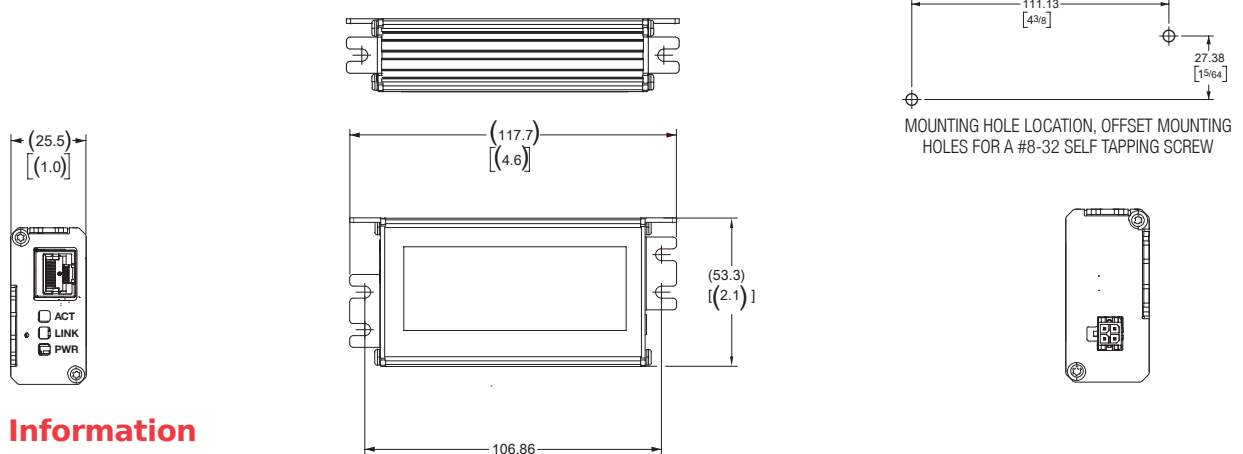
Housing: Extruded aluminum
L 101.20 x W 53.33 x D 25.51 mm
L 3.98 x W 2.09 x D 1.00 inches
Weight: 100g

ELECTRICAL

Nominal power input: 90W
Nominal power output: 72W
Standby power consumption: 0.5W
Class 2 electrical device
UL 2108 compliant

CONNECTION INTERFACES

UPOE/PoE switch end: RJ45
Gateway input: RJ45
Gateway output: CoreSync Bus, Molex Micro-Fit



Ordering Information

Order No.	SAP No.	Description
180798-1000	Consult Molex	CoreSync PoE Gateway 2.0 for 90W Input

www.molex.com

Molex is a registered trademark of Molex, LLC in the United States of America and may be registered in other countries; all other trademarks listed herein belong to their respective owners. This information is correct at the time of publication, specifications are subject to change.