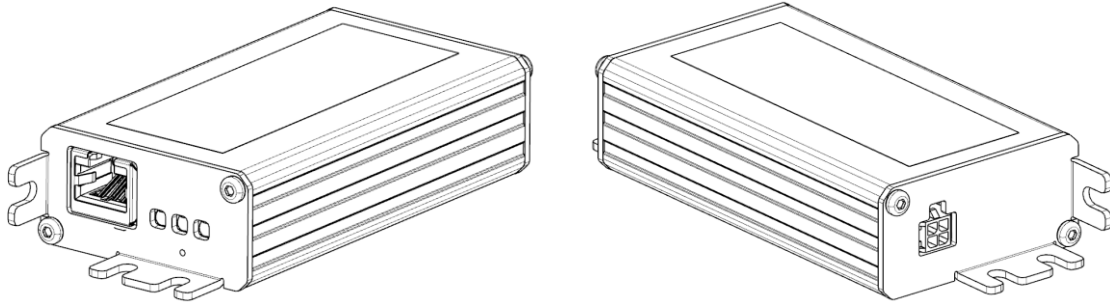


## CORESYNC POWER OVER ETHERNET GATEWAY UNREGULATED 2.0 90W



### 1.0 SCOPE

THIS DOCUMENT WILL PROVIDE INSTALLATION INSTRUCTIONS OF CORESYNC POWER OVER ETHERNET GATEWAY UNREGULATED 2.0 90W

### 2.0 PRODUCT DESCRIPTION

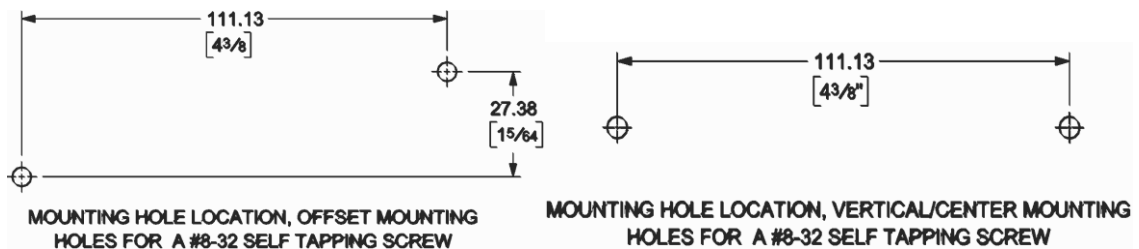
CORESYNC POWER OVER ETHERNET GATEWAY UNREGULATED 2.0 90W (1807981000), Conforms to UL 2108 standard – Certified to CAN/CSA standard C22.2 NO. 250.0

### 3.0 CAUTION AND WARNING:

- READ AND FOLLOW ALL SAFETY INSTRUCTIONS
- GATEWAY MUST BE INSTALLED BY A QUALIFIED ELECTRICIAN. (CHECK WITH LOCAL AND NATIONAL CODES FOR PROPER INSTALLATION).
- RISK OF ELECTRIC SHOCK. DO NOT HANDLE ENERGIZED GATEWAY WITH WET HANDS OR WHEN STANDING ON WET OR DAMP SURFACES.
- OBSERVE PRECAUTIONS FOR HANDLING ELECTROSTATIC SENSITIVE GATEWAYS.
- USE ONLY WITH CLASS 2 POWER UNIT – 60VDC MAXIMUM.
- WARRANTY VOIDED IF GATEWAY HAS BEEN MODIFIED FROM ITS ORIGINAL CONFIGURATION.
- DO NOT USE OUTDOORS.
- SUITABLE FOR DAMP LOCATIONS.

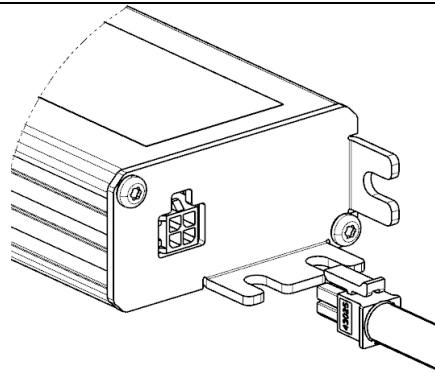
### 4.0 PROCEDURES

**Step 1.** Refer the below mounting pattern as shown below to mount the Gateway 2.0.

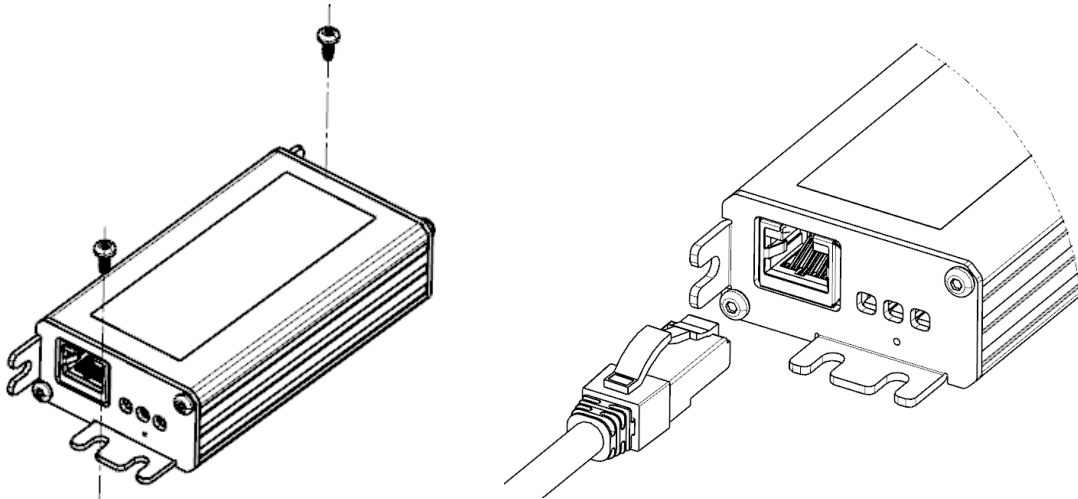


**Step 2.** Snap in the wire harness male connector into the female connector as shown below to connect to the Core Sync bus as shown below.

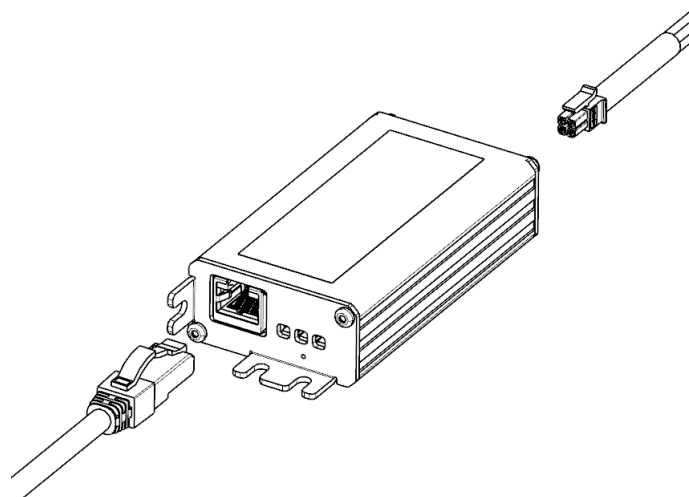
ENGINEERING RECORD NO : 642341	SAP NO : 1807981000	Doc No: 1807981000	Doc part: AS	REV- A
<a href="http://www.molexcs.com">http://www.molexcs.com</a>				



**Step 3.** Use two #8 self-tapping screws to mount the PoE Gateway as shown (screws not provided).



**Step 4.** Make sure the Core Sync bus is connected before plugging in the PoE cable. Use a UTP (unshielded twisted pair) CAT5E or CAT6 cable\*. The maximum length of cable should not exceed 100 meters.  
(DO NOT CONNECT OR DISCONNECT CORESYNC BUS WHILE DEVICE IS POWERED.)



\*Please note the Power LED indicator will turn on once you have power. The LINK and ACTIVE indicators will blink on and off rapidly once you have network connection.

**Note: SAVE THESE INSTRUCTIONS**