

CORESYNC EMERGENCY LIGHTING BYPASS (18213512XX)

READ AND FOLLOW ALL SAFETY INSTRUCTIONS

This unit Must be Installed and serviced by a qualified electrician

IMPORTANT SAFEGUARDS

When using electrical equipment, necessary safety precautions should always be followed, including the following:

WARNINGS:

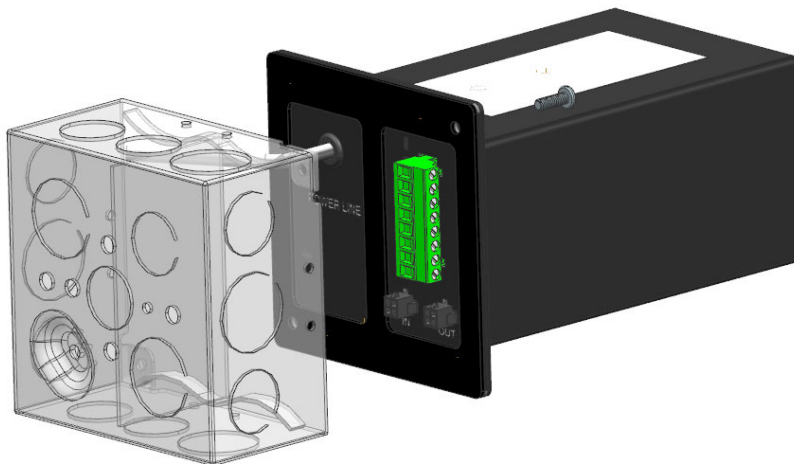
- **DO NOT** DISASSEMBLE EMERGENCY LIGHTING BYPASS.
- **DO NOT** connect the CoreSync Harness when Gateway is energized
- **DO NOT** handle energized unit with wet hands or when standing on wet or damp surfaces.
- **Risk** of electric shock.
- **DO NOT** use in elevated temperature environment – more than 55°C
- **DO NOT** use Outdoors
- Only to be used with CoreSync System
- Use appropriate Junction Box depending on the installation space (Plenum / Non-plenum)

CAUTION: Observe precautions for handling electrostatic sensitive units

WARRANTY: Voided if the unit has been MODIFIED/DISASSEMBLED from the original configuration

SAVE THESE INSTRUCTIONS

Conforms to UL924 • UL 924 STANDARD FOR Emergency Lighting and Power Equipment • CSA C22.2 NO. 141 Emergency Lighting Equipment



ENGINEERING RECORD NO: 651700	SAP NO: 1821351201 PS AS	Doc No: 1821351201 PS Doc part: AS	REV- A
http://www.molexces.com/			

1.0 Scope

This document provides information on the installation instruction of the CoreSync POE Emergency Lighting Bypass.

2.0 Required Hardware

The following outlet and junction boxes should be used with Emergency Lighting Bypass:

1) OUTLET BOXES

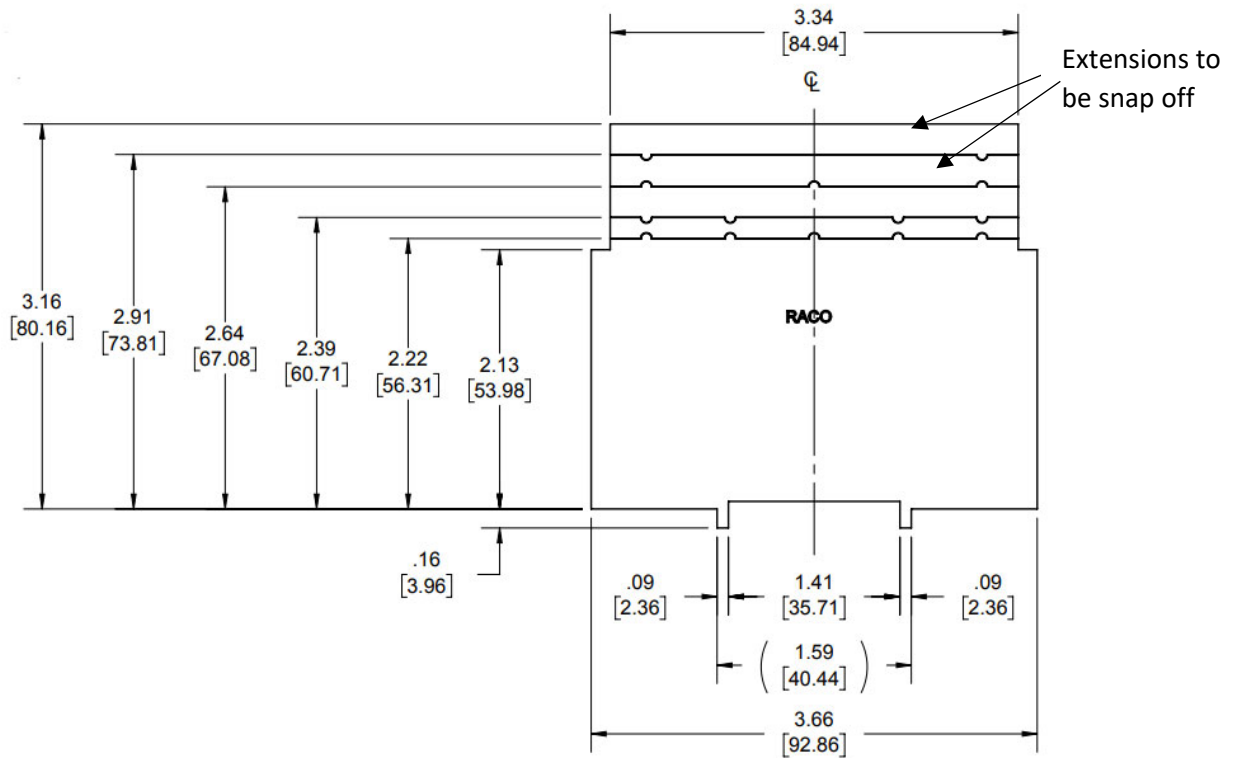
- A. Sheet Metal Outlet Boxes: NEMA OS 1, UL 514A; galvanized steel with stamped knockouts:
 - 1. Luminaire and Equipment Supporting Boxes: Rated for the weight of equipment supported 1/2" male fixture studs, where required
 - 2. Concrete Ceiling Boxes: Concrete type
- B. Cast-Metal Outlet Boxes: NEMA FB 1, cast aluminum or cast iron (galvanized), Type FD, with

gasketed cover and threaded hubs Gang-able type boxes are not allowed

Following box manufacturers are recommended:

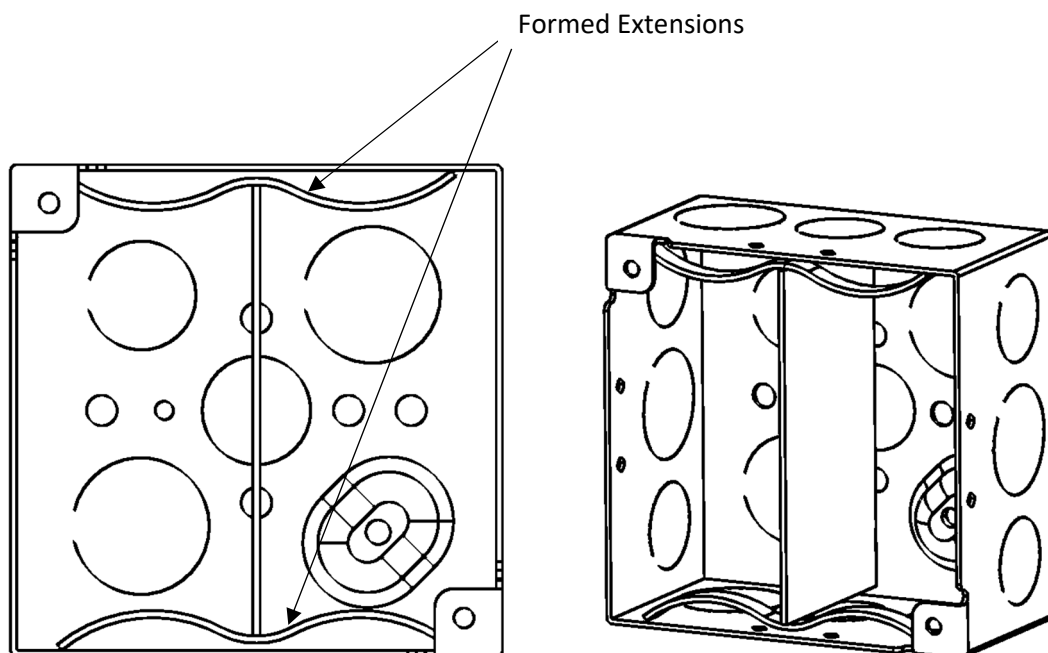
- Raco 233 box with partition #707RAC partition trimmed to 2.22" high.
- Crouse-Hinds TP436 box with partition #707RAC partition trimmed to 2.22" high
- OZ-Gedney-Appleton 4SD-1 box with partition #707RAC partition trimmed to 2.22" high
- Thomas & Betts 52171-1 box with partition #707RAC partition trimmed to 2.22" high
- Garvin Industries 52171-1-VT box for plenum-rated environment

with partition #707RAC cut to 2.13" height (see picture below)



Partition, part number 707RA

Two partition extensions should be snapped off, formed and insert the way as shown below, to support the partition.

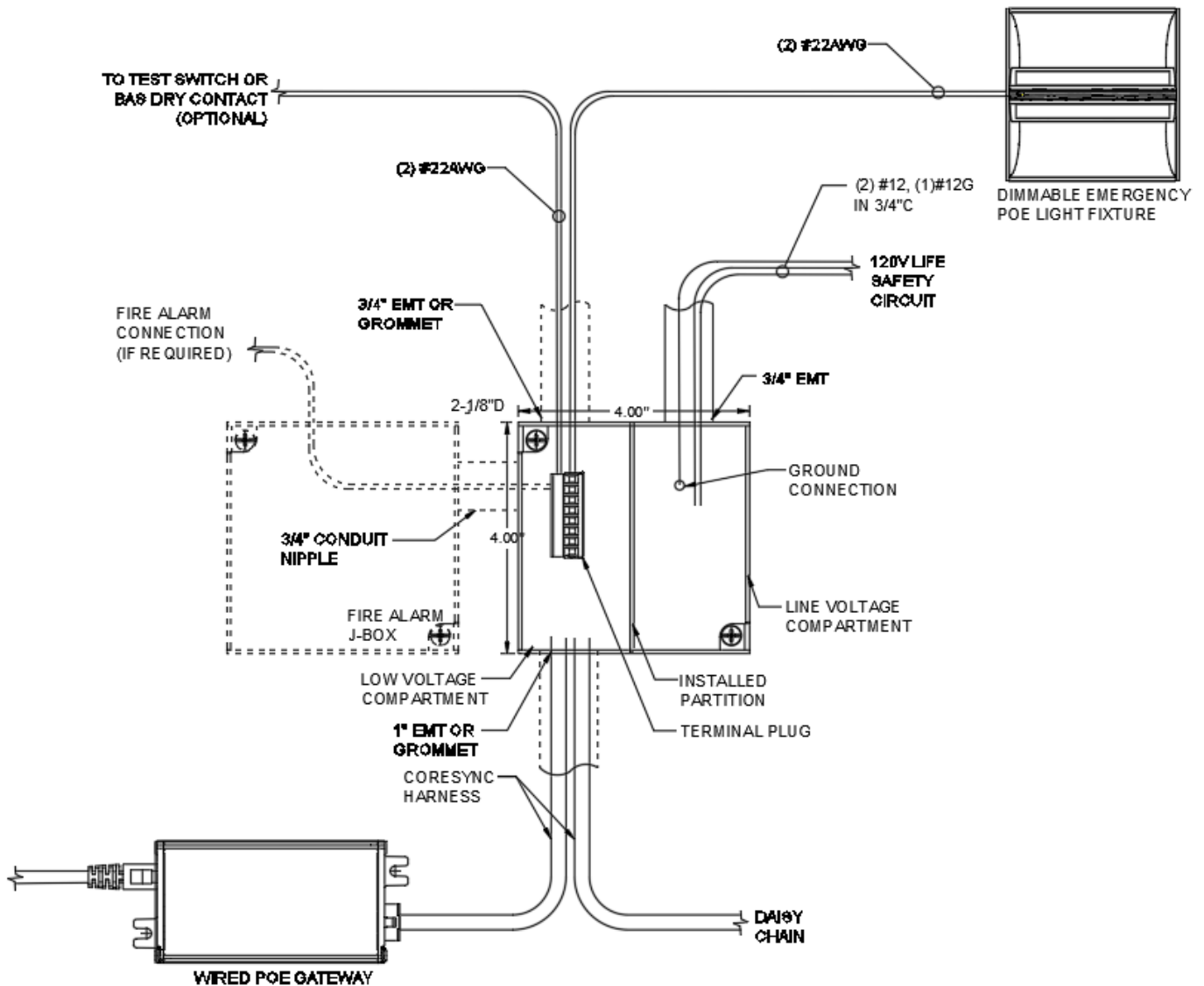


PULL AND JUNCTION BOXES

- A. Small Sheet Metal Pull and Junction Boxes: NEMA OS 1; galvanized steel
- B. Metal, Pull, and Junction Boxes: NEMA FB 1; cast aluminum or galvanized, cast iron with ground
- C. Flanged boxes not allowed without prior approval of the local authority having jurisdiction

3.0 Procedure

3.1 Installation Procedure



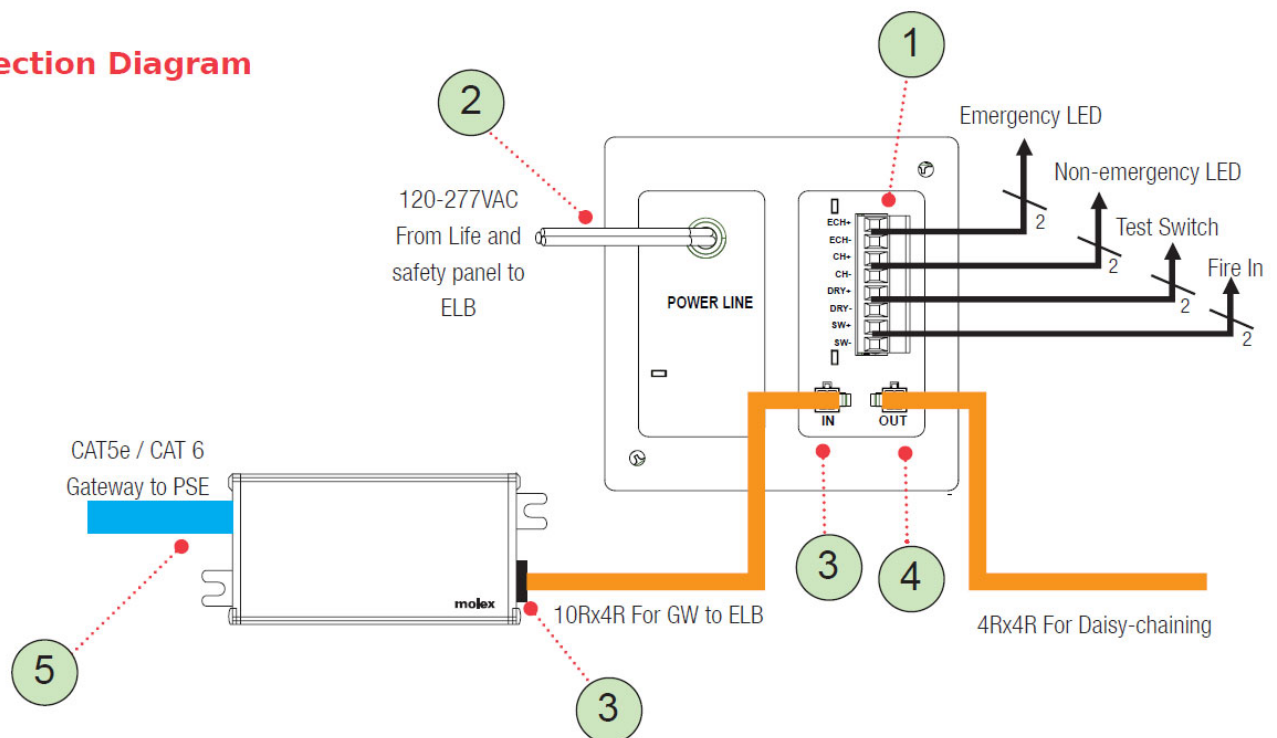
Diagrams to complete the wiring installation

ER NO: 651700	SAP NO: 1821351201 PS AS	Doc No: 1821351201 PS Doc part: AS	REV-A
---------------	--------------------------	------------------------------------	-------

1. Confirm if Plenum-rated junction boxes are required with airtight knockouts, and gasketed covers prior to install
2. Refer to emergency Lighting Device Installation Instruction and required pinouts prior to the junction box and raceway installation
3. A barrier between the line voltage and low voltage compartments to be installed by EC
4. EC to provide and install standard 4x4 junction box and terminate conduit as required
5. EC to provide grommets where required
6. EC shall terminate line voltage wiring to Emergency Lighting Bypass Device as required per NEC
7. Terminate low voltage wires to the terminal plug as required, and plug-in CoreSync harness
8. Secure terminal plug onto device terminal block
9. Mount Device onto the junction box via two screws supplied with the junction box
10. Please refer to the wiring and connection diagrams, as shown in 3.A and 3.B

3.2 System-Level Connection

Connection Diagram

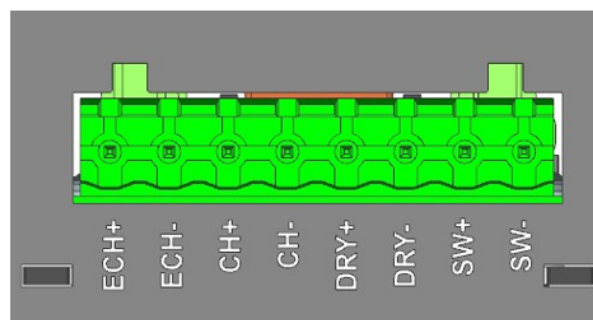


Connection Diagram

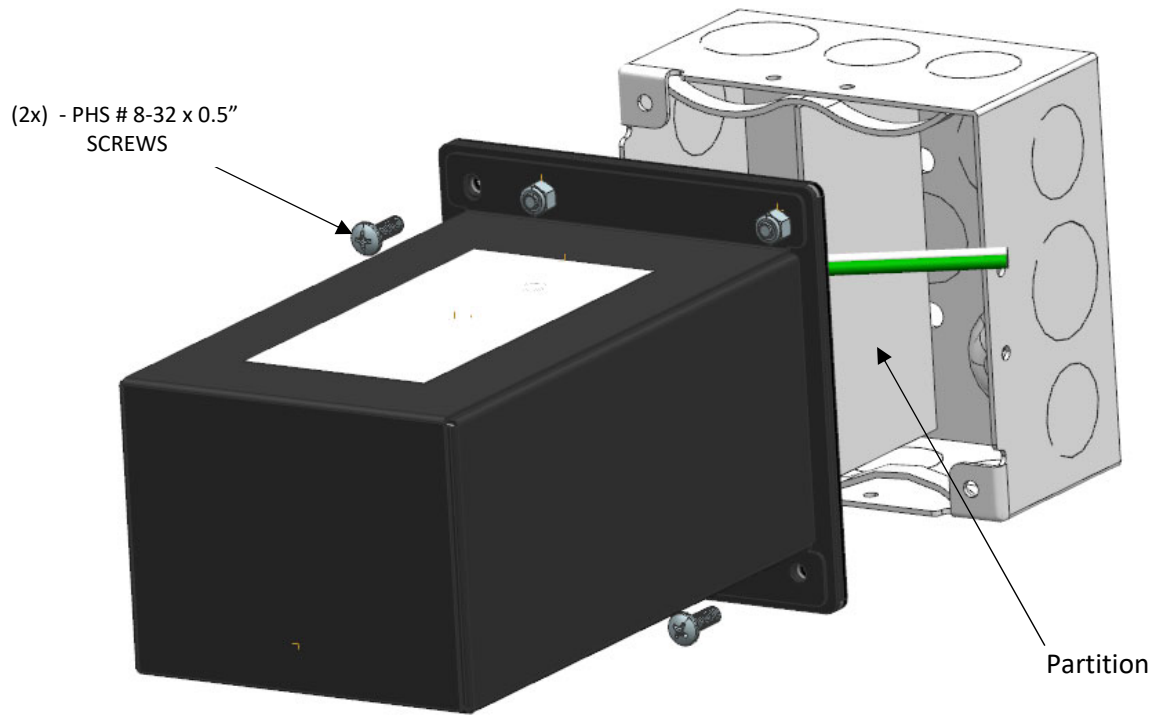
ER NO: 651700	SAP NO: 1821351201 PS AS	Doc No: 1821351201 PS Doc part: AS	REV-A
---------------	--------------------------	------------------------------------	-------

- 1) Connection to LED load, fire alarm, and test switches
- 2) 120-277V AC power from life and safety panel to ELB
- 3) Molex harness from the PoE gateway to the panel mount micro-fit input on the ELB
- 4) Molex harness from the panel mount micro-fit output connector on ELB to the next CoreSync device in the daisy-chaining
- 5) Molex harness CAT5e /CAT 6 PoE input from the PoE switch (PSE) to the CoreSync PoE gateway

3.3 Terminal Block Connection



- 1) **ECH** - Constant Current LED Out to drive the emergency channel (Fixture). (Connect the **WARM** Channel here in case of tunable fixture)
- 2) **CH** - Constant current LED Out to drive non-emergency channel (Only when used with a tunable driver, connect **COOL** channel here)
- 3) **DRY** - Normally-open dry-contact input connects to the fire alarm system. On activation, the ELB changes to emergency mode, turning on the luminaire to maximum brightness.
- 4) **SW** - This is an illuminated round-shaped pushbutton used to simulate emergency operation. The LED stays on as long as PoE is present and goes off in cases of emergency.



Install the partition as shown and complete the wiring. Unscrew 2 screws out of the Junction Box and use them to attach the Bypass to the Box.