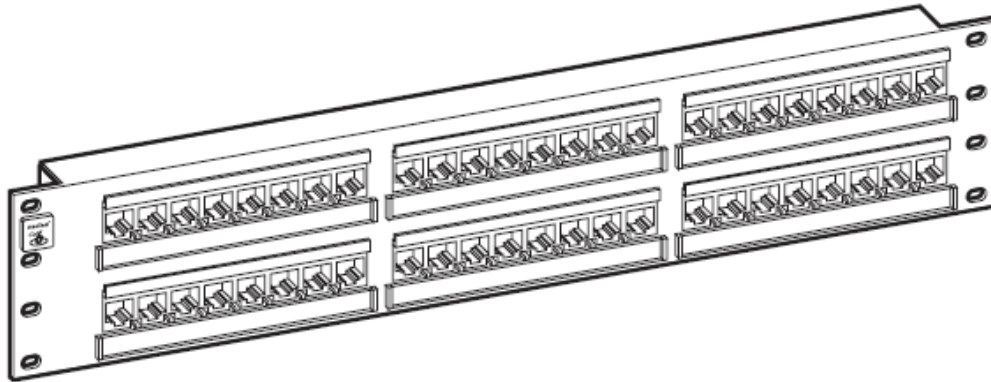


STANDARD GRADE HD PATCH PANELS



1.0 SCOPE

This document provides Installation instructions of Standard grade HD Patch Panels

2.0 PRODUCT DESCRIPTION

This is Standard grade HD Patch Panels.

Dimension:

24 Channel 1.75" H x 19.0" W x 1.62" D
(44mm x 483mm x 41mm)

48 Channel 3.50" H x 19.0" W x 1.62" D
(89mm x 483mm x 41mm)

Order No.	Description
PID-00121	Standard Grade HD Patch 5e 24 Port 8W 568B
PID-00122	Standard Grade HD Patch 5e 48 Port 8W 568B
PID-00105	Standard Grade HD Patch 5e 24 Port 8W 568A
PID-00106	Standard Grade HD Patch 5e 48 Port 8W 568A
PID-00113	Standard Grade HD Patch 6 24 Port 8W 568A/B
PID-00114	Standard Grade HD Patch 6 48 Port 8W 568A/B
CMA-00007	EZ Bar Cable Management Panel

3.0 REFERENCE DOCUMENTS

4.0 PROCEDURE

4.1 GENERAL REQUIREMENTS

4.2 ASSEMBLY INSTRUCTIONS

MPN NO.	SAP NO.
215-314	187000344

4.3 REMOVAL INSTRUCTIONS

REVISION: A1	ECR/ECN INFORMATION: EC No: MTS2013-0071 DATE: 2013 / 07 / 16	TITLE: INSTRUCTION SHEET STANDARD GRADE HD PATCH PANELS	SHEET No. 1 of 5
DOCUMENT NUMBER: AS-18700-078	CREATED / REVISED BY: Snagaravenka	CHECKED BY: CG, Raghavan	APPROVED BY: Ojdana, Krzysztof

Included Items

- IDC Patch Panel
- Channel ID Label Holders
- Channel ID Labels
- Mounting Hardware



To reduce the risk of electrical shock, always disconnect all telephone lines from the wall outlets before servicing or disassembling this equipment. Installation is to be performed by Qualification service personnel.

Telephone Applications: UL requires all panels to be installed in an area of limited access, such as a telephone closet.

STEP 1

Mount panel on to open bay rack so that the ports face front and the IDCs face back.

STEP 2

Route cable along intended path through frame to desired location on rear side of panel. A Minimum 1.5" bend radius should be observed for Category 6.

STEP 3

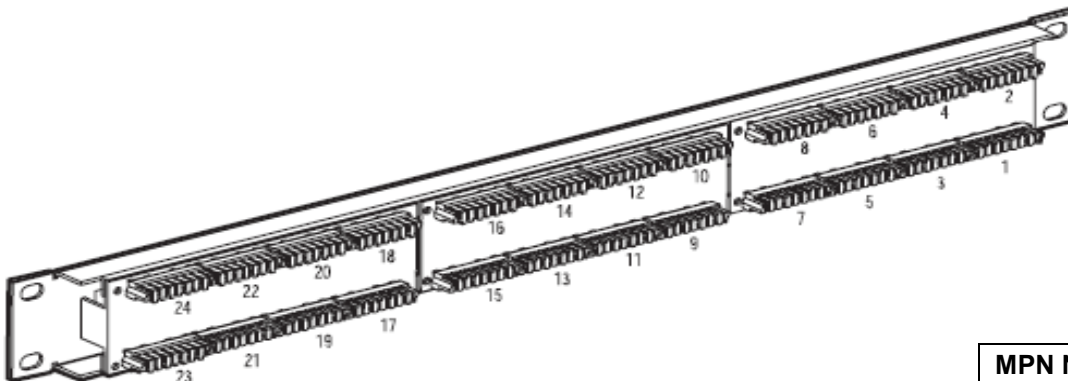
Allow another 6 inches, cut the cables and strip back the cable jacket approximately 1-1.5" exposing individual wires.

NOTE

Before proceeding with punch down, refer to below listed rear IDC port number punch down sequence (fig.1):

TOP row Right to Left: Port 2 through 24; all even numbers
 BOTTOM row Right to Left: Port 1 through 23; all odd numbers

Fig.1 Rear IDC Port Number Punch Down Sequence



MPN NO.	SAP NO.
215-314	187000344

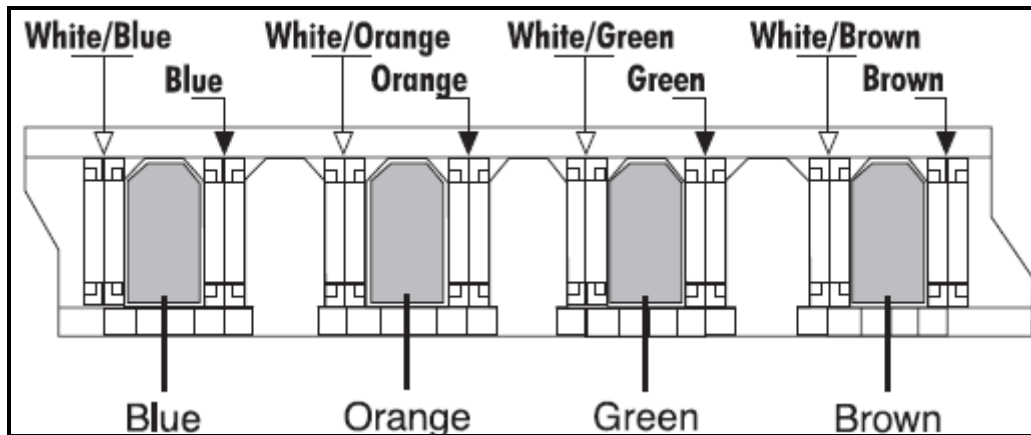
REVISION: A1	ECR/ECN INFORMATION: EC No: MTS2013-0071 DATE: 2013 / 07 / 16	TITLE: INSTRUCTION SHEET STANDARD GRADE HD PATCH PANELS	SHEET No. 2 of 5
-------------------------------	--	--	-----------------------------------

DOCUMENT NUMBER: AS-18700-078	CREATED / REVISED BY: Snagaravenka	CHECKED BY: CG, Raghavan	APPROVED BY: Ojdana, Krzysztof
--	--	------------------------------------	--

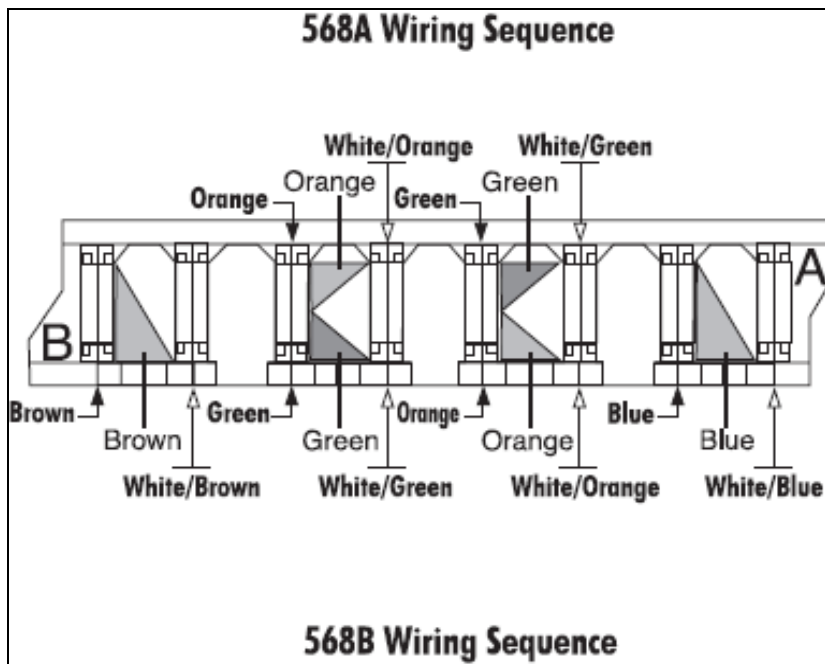
NOTE:
Note color-code punch sequences. (Refer figure 2)

Fig.2 Color Code Punch Down sequences category 5e and category 6

CATEGORY 5e WIRING SEQUENCES 568A+568B



CATEGORY 6 568A/B WIRING SEQUENCES



MPN NO.	SAP NO.
215-314	187000344

REVISION: A1	ECR/ECN INFORMATION: EC No: MTS2013-0071 DATE: 2013 / 07 / 16	TITLE: INSTRUCTION SHEET STANDARD GRADE HD PATCH PANELS	SHEET No. 3 of 5
DOCUMENT NUMBER: AS-18700-078	CREATED / REVISED BY: Snagaravenka	CHECKED BY: CG, Raghavan	APPROVED BY: Ojdana, Krzysztof

STEP 4

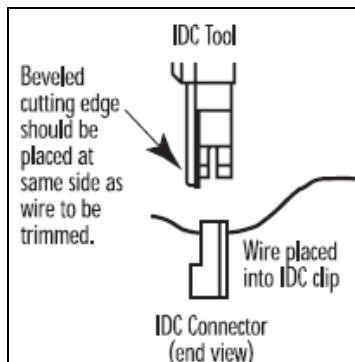
Lay the wires across the contact and punch down with punch down tool. (Refer figure 3)

For Category 6 applications, the distance from the termination point to the end of the cable jacket should be minimized.

Distance from the last twist to the termination pint must ve as close as physically possible.

Note : Do not use multiplier termination tools.

Fig.3 Punch down tool



MPN NO.	SAP NO.
215-314	187000344

REVISION: A1	ECR/ECN INFORMATION: EC No: MTS2013-0071 DATE: 2013 / 07 / 16	TITLE: INSTRUCTION SHEET STANDARD GRADE HD PATCH PANELS	SHEET No. 4 of 5
DOCUMENT NUMBER: AS-18700-078	CREATED / REVISED BY: Snagaravenka	CHECKED BY: CG, Raghavan	APPROVED BY: Ojdana, Krzysztof

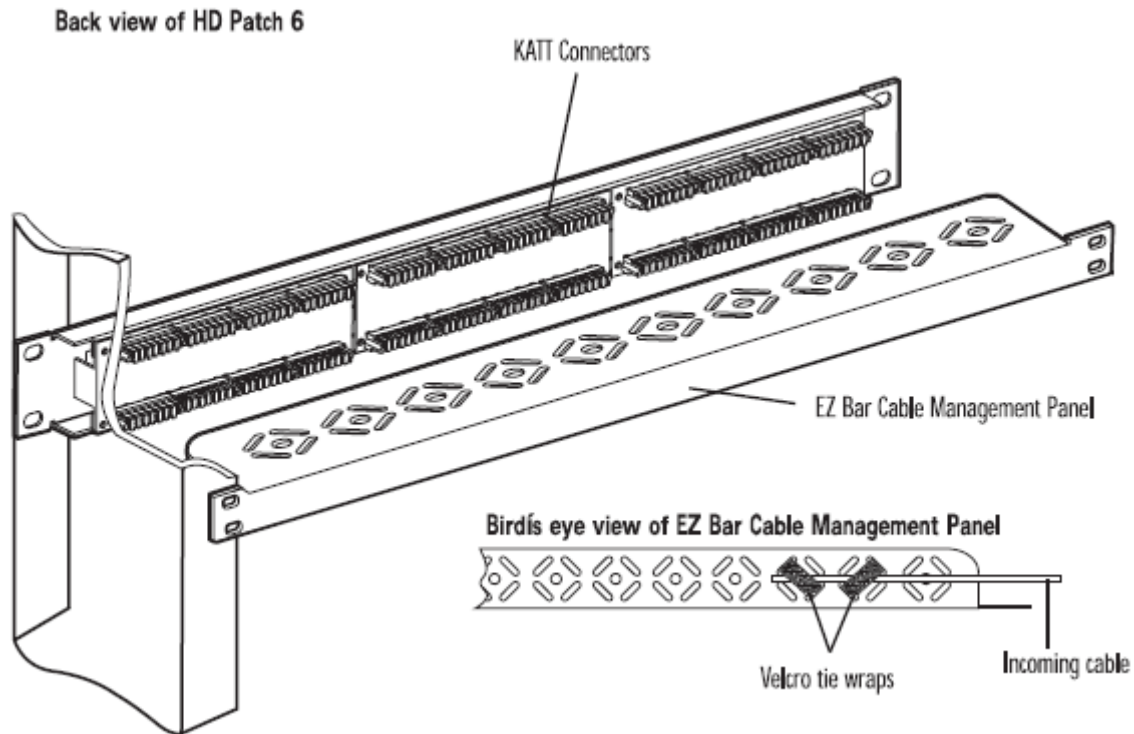
STEP 5

Using Velcro tie wraps, bundle the cables together for neatness and secure them on to the frame.

Cable Management Potion (Refer figure.4)

To ensure the proper bend radius and strain relief of a fully Category 6 compliant cable installation, Molex premise Networks recommends using the EZ Bar cable management Panel (Part No. CMA-0007). If you choose this potion, please refer to the instructions enclosed with the panel.

Fig .4 EZ Bar Cable Management panel



MPN NO.	SAP NO.
215-314	187000344

REVISION: A1	ECR/ECN INFORMATION: EC No: MTS2013-0071 DATE: 2013 / 07 / 16	TITLE: INSTRUCTION SHEET STANDARD GRADE HD PATCH PANELS	SHEET No. 5 of 5
DOCUMENT NUMBER: AS-18700-078	CREATED / REVISED BY: Snagaravenka	CHECKED BY: CG, Raghavan	APPROVED BY: Ojdana, Krzysztof