

KEYED/MODULAR SPLICE CASSETTE INSTALLATION INSTRUCTION

1.0 SCOPE

INCLUDED ITEMS:

- 6-12 FIBRES - 1 X AFR-00337 12 FIBRE SPLICE HOLDERS
- 12+ FIBRES - 2 X AFR-00337 12 FIBRE SPLICE HOLDERS
- 1 X MODULAR SPLICE CASSETTE ASSEMBLY
- PIGTAILS X 6 (6 FIBRE KITS), 12 (12 FIBRE KITS), 24 (24 FIBRE KITS)
- SPLICE PROTECTORS X 6 (6 FIBRE KITS), 12 (12 FIBRE KITS), 24 (24 FIBRE KITS)
- 1 X CABLE TIE

2.0 PROCEDURE

A) Installing Splices:

Maintaining optical fiber bend radii is critical to maintaining optimum performance. When installing splices, please ensure:

- That Molex KFR-00008 45mm Fusion Splice Protectors or equivalents are used to splice the pigtail to the incoming fiber; Molex AFR-00337, 12 Fiber Fusion Splice Holders are fitted firmly to the cassette housing and the KFR-00008 45mm Fusion Splice Protectors are carefully stacked as shown below. (Fig.1)
- To carefully install the KFR-00008 splice protector into the slots as shown below by gently pushing the Spliced Cable into the AFR-00337 12 Fiber Splice Tray.
- To use Molex Pigtails. These are generally 1.0 meters in length. This allows for trimming to length prior to splicing. Any excess fiber required should be routed as shown below. (Fig.1)
- To route excess incoming fiber as shown below. (Fig.1)
- The incoming cable is tied down to the cassette housing by using the Fiber Cable Tie Down Point as shown below. (Fig.1)

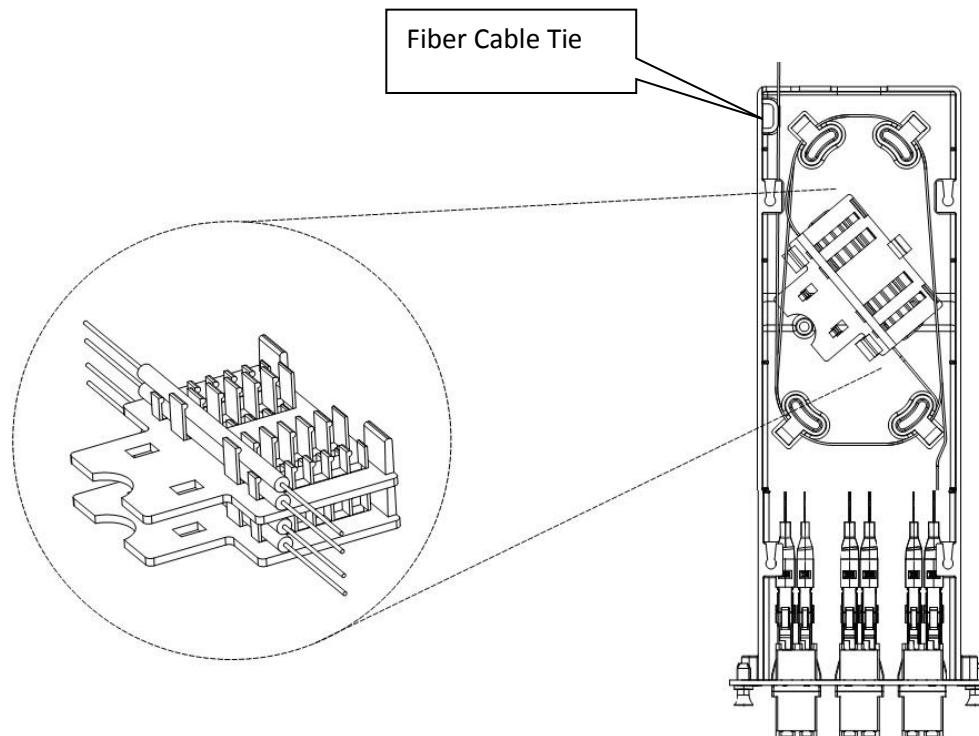


Fig.1

KEYED/MODULAR SPLICE CASSETTE INSTALLATION INSTRUCTION

B) Inserting the Splice Holders:

If the splice holders are not attached to the cassette housing:

- Align the splice holder with the outward snaps of the housing shown in the figures below. (Fig.2)
- Slide until the splice holders snap into place and are resting in the bottom position. (Fig.3)
- When inserting the second splice holder, align the splice holder with the inward snaps shown below. (Fig.3)
- Slide the splice holder until it snaps into place and rests on top of the bottom splice holder. (Fig.3)
- To remove the splice holders, press the locking snaps and pull out the splice traces.

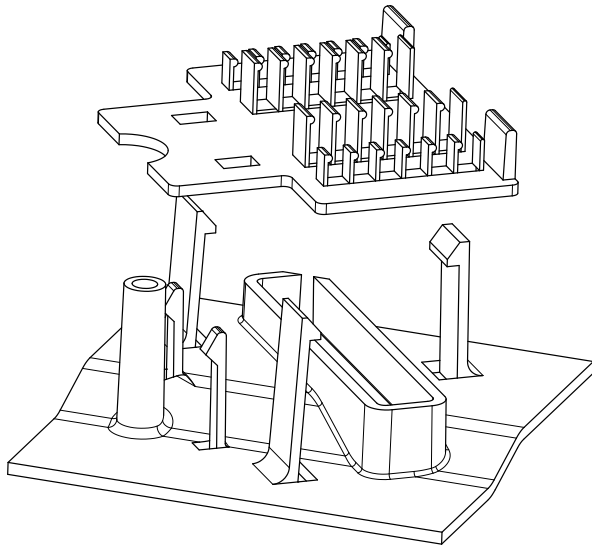


Fig.2

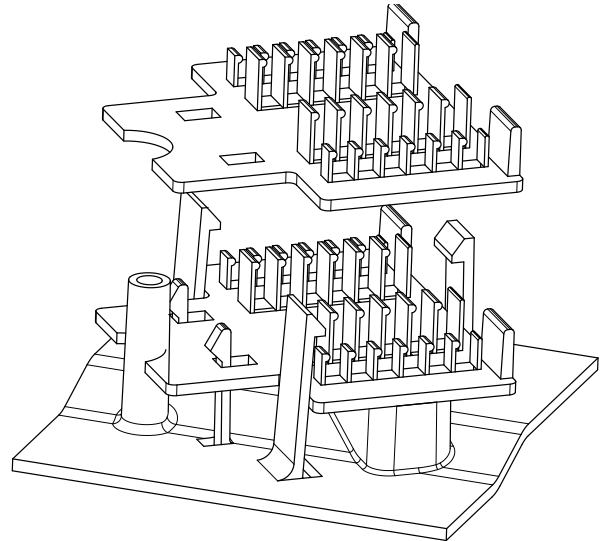


Fig.3

C) Installing Keyed/Modular Splice Cassette

The Keyed/Modular Splice Cassette is compatible with the following Molex Designed Optical Fiber Enclosure

1. The completed Keyed/Modular Splice Cassette utilizes corner retention push pins which when pulled upon open two corner fasteners.
2. Position the cassette in the appropriate position within the enclosure and push the corner fasteners gently back until they will go no further. (Fig.4, Fig.5, Fig.6)

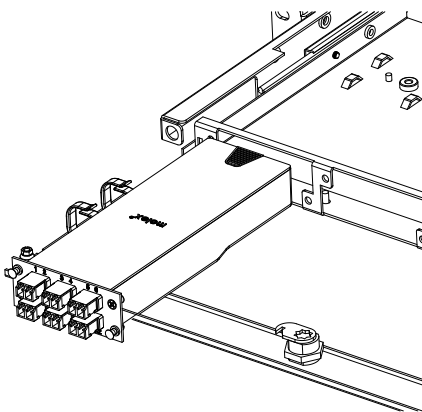


Fig.4

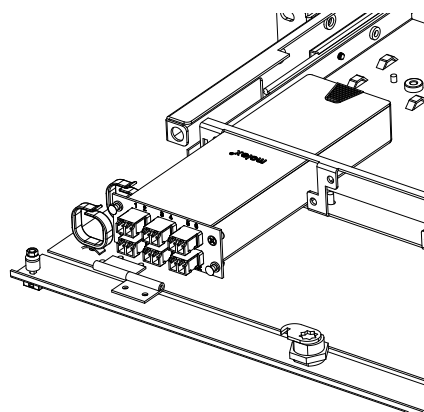


Fig.5

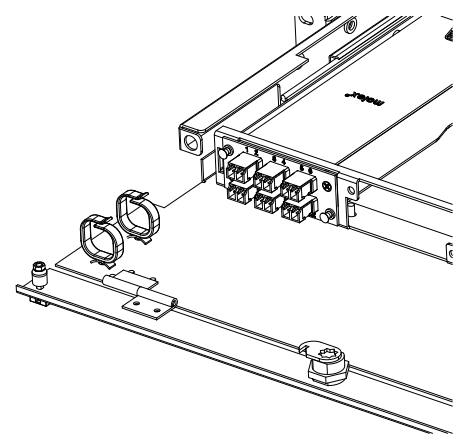


Fig.6