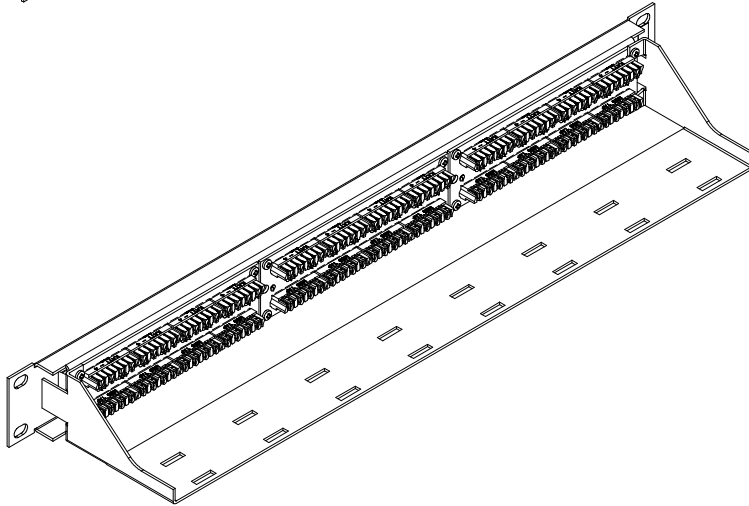
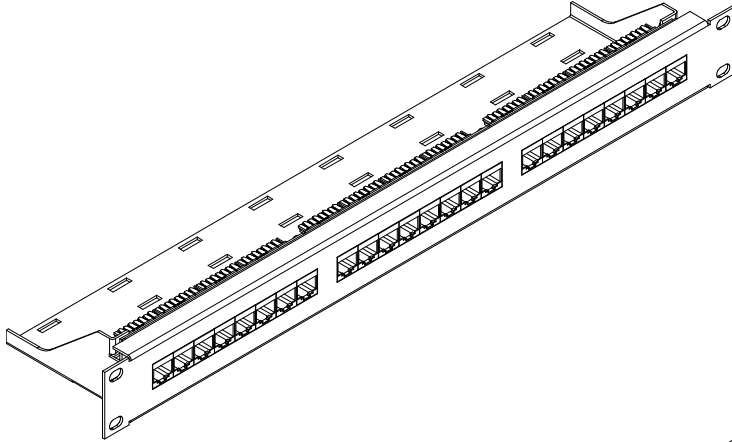


## 24P 1U IDC Category 5e Patch Panel



<b>Order No.</b>	<b>SAP No.</b>	<b>Description</b>
PID-00234-04	181520020	24P 1U IDC Category 5e Patch Panel

**Dimensions:**  
**L x W x H: 483 x 100 x 44 mm**  
**(19" x 4" x 1.7")**

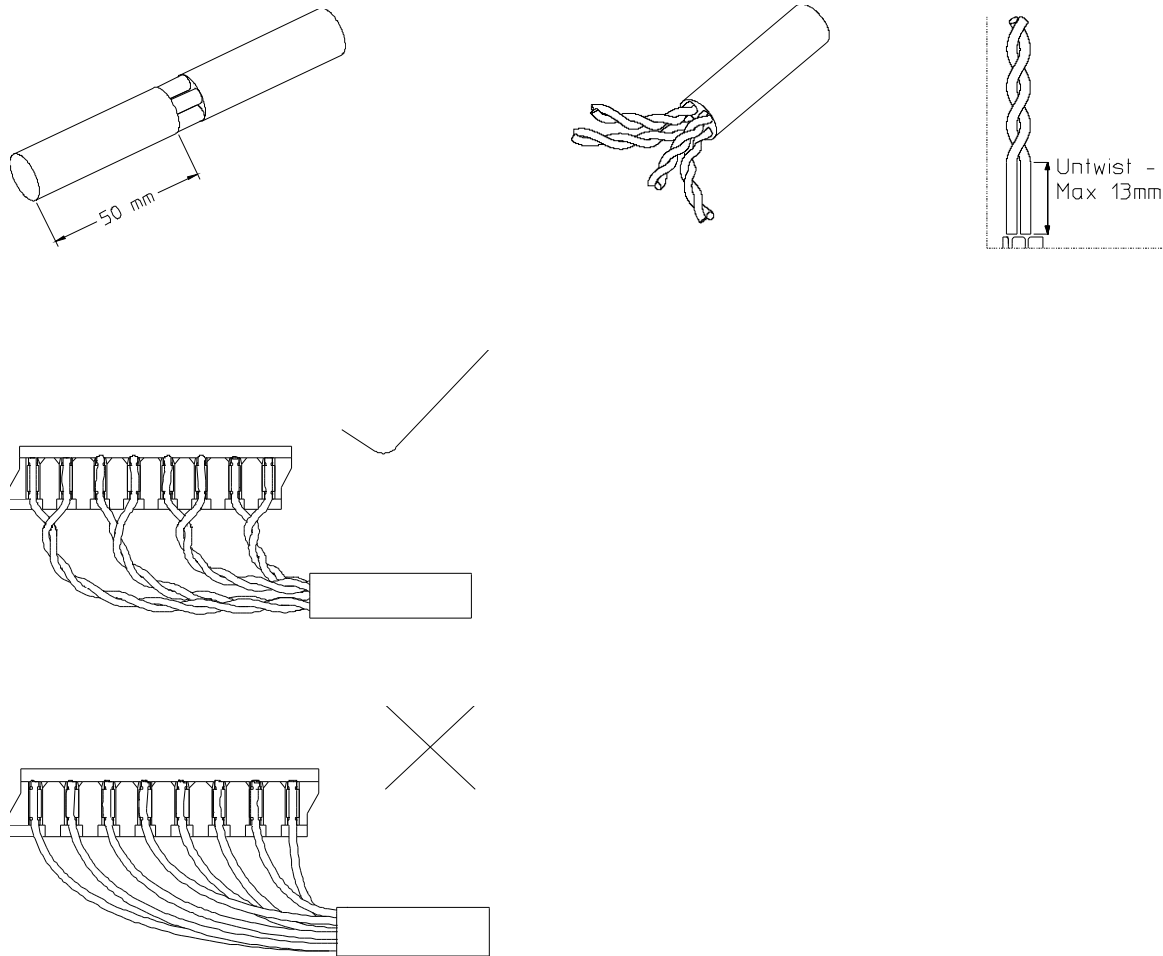
<b>MPN NO.</b>	<b>SAP NO.</b>
215-391	187000373

<b>REVISION:</b> <b>A1</b>	<b>ECR/ECN INFORMATION:</b> EC No: MTS2013-0071 DATE: 2013 / 07 / 16	<b>TITLE:</b> <b>24P 1U IDC Category 5e Patch Panel Installation Instructions</b>	<b>SHEET No.</b> <b>1 of 4</b>
<b>DOCUMENT NUMBER:</b> <b>AS-18700-060</b>	<b>CREATED / REVISED BY:</b> Snagaravenka	<b>CHECKED BY:</b> CG, Raghavan	<b>APPROVED BY:</b> Krzysztof Ojdana

### Included Items

- IDC patch panel
- Rear cable Management bar
- Screw / cage nut / washer kit
- Installation Instruction.

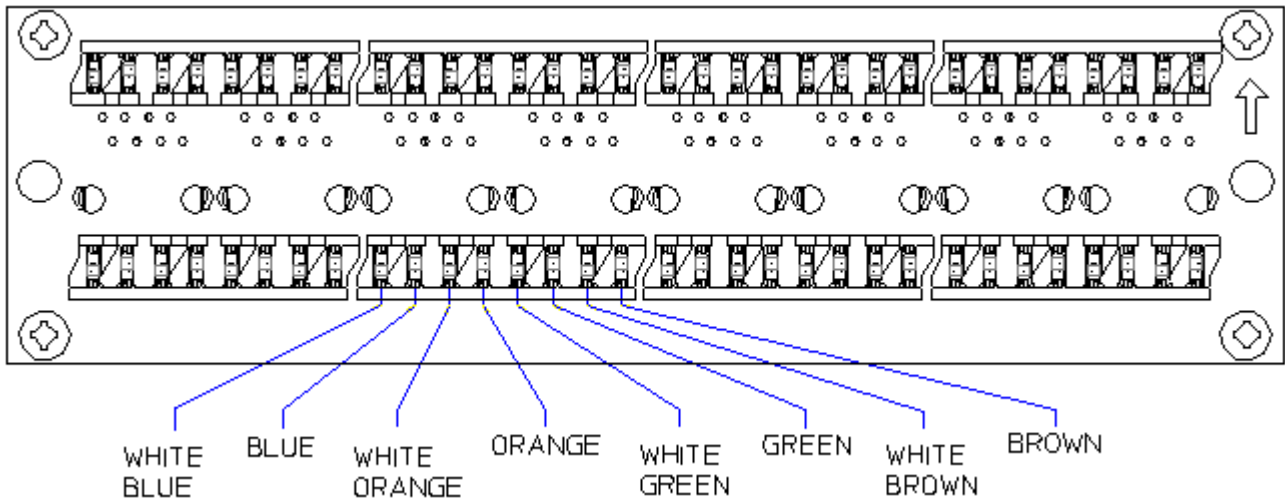
### 1. Cable preparation:



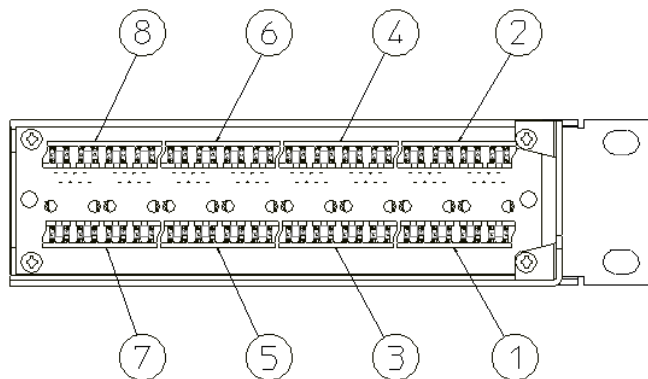
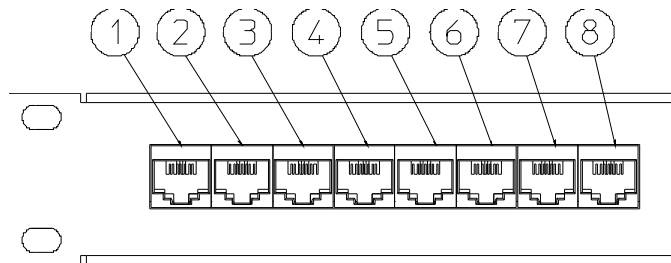
MPN NO.	SAP NO.
215-391	187000373

REVISION: <b>A1</b>	ECR/ECN INFORMATION: EC No: <b>MTS2013-0071</b> DATE: <b>2013 / 07 / 16</b>	TITLE: <b>24P 1U IDC Category 5e Patch Panel Installation Instructions</b>	SHEET No. <b>2 of 4</b>
DOCUMENT NUMBER: <b>AS-18700-060</b>	CREATED / REVISED BY: <b>Snagaravenka</b>	CHECKED BY: <b>CG, Raghavan</b>	APPROVED BY: <b>Krzysztof Ojdana</b>

## 2. Color coding:



## 3. Port numbering (explained on a first harmonica, for the remaining two repeat the numbering):

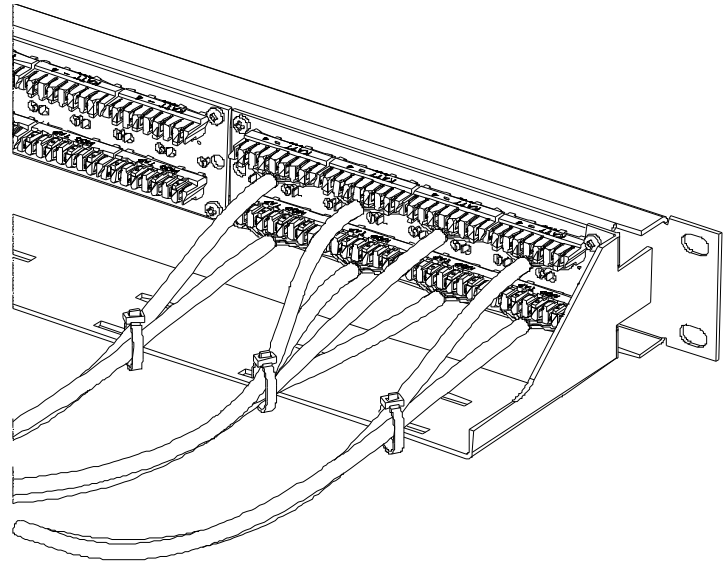
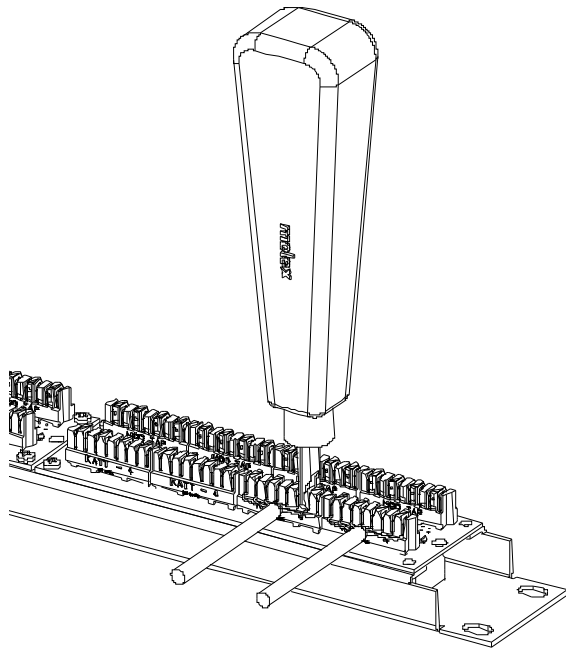


MPN NO.	SAP NO.
215-391	187000373

REVISION:	ECR/ECN INFORMATION:	TITLE:	SHEET No.
<b>A1</b>	EC No: <b>MTS2013-0071</b> DATE: <b>2013 / 07 / 16</b>	<b>24P 1U IDC Category 5e Patch Panel Installation Instructions</b>	<b>3 of 4</b>
DOCUMENT NUMBER:	CREATED / REVISED BY:	CHECKED BY:	APPROVED BY:
<b>AS-18700-060</b>	<b>Snagaravenka</b>	<b>CG, Raghavan</b>	<b>Krzysztof Ojdana</b>

#### 4. Cable termination / Dressing / Installation:

Terminate each UTP cable with regular 110 Punch down tool.



Dress cable on the rear cable management bar, secure with 4" / 10 cm cable ties.

MPN NO.	SAP NO.
215-391	187000373

REVISION: <b>A1</b>	ECR/ECN INFORMATION: EC No: <b>MTS2013-0071</b> DATE: <b>2013 / 07 / 16</b>	TITLE: <b>24P 1U IDC Category 5e Patch Panel Installation Instructions</b>	SHEET No. <b>4 of 4</b>
DOCUMENT NUMBER: <b>AS-18700-060</b>	CREATED / REVISED BY: <b>Snagaravenka</b>	CHECKED BY: <b>CG, Raghavan</b>	APPROVED BY: <b>Krzysztof Ojdana</b>