



**PowerCat 6A DataGate Side Entry
Jack Installation Instruction**

1.0 SCOPE

This document provides installation instructions for Molex PowerCat 6A side entry jack.

2.0 PROCEDURE

Tools required:

- 110 punch down tool, cable strippers, wire clippers, and screwdriver

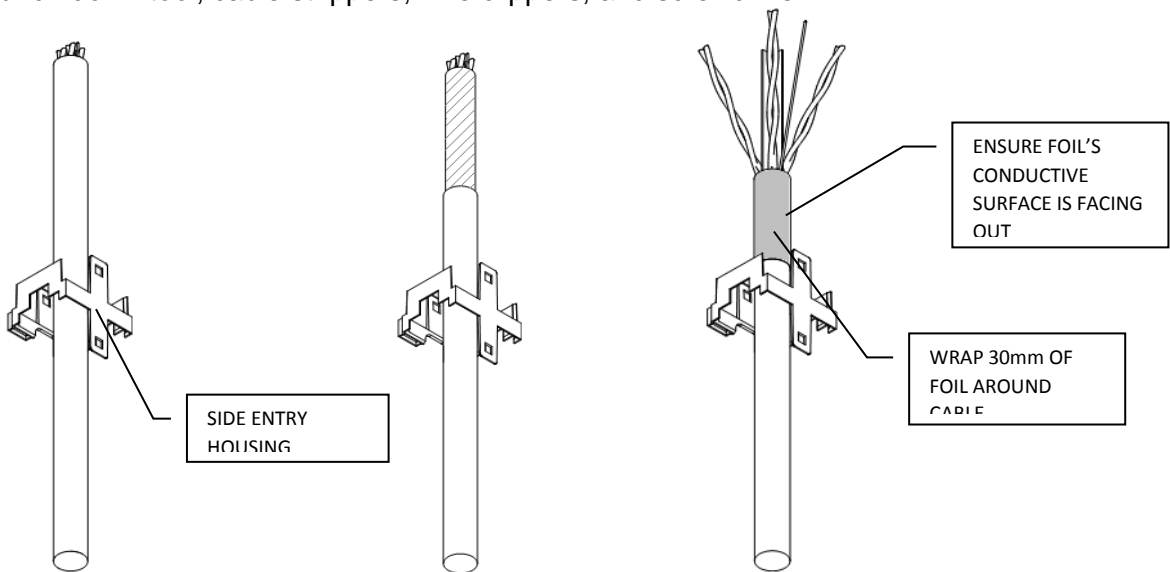


Fig. 1

Fig. 2

Fig. 3

U/FTP cable preparation:

1. Slide side entry housing on to cable (see Fig. 1)
2. Remove 75mm (3") of cable sheath with cable stripper (see Fig. 2)
3. Unwrap and remove 3 of the twisted pair's foils with wire clippers
4. Wrap approx 30mm (1.2") of 4th foil down length of cable sheath (see Fig. 3)
 - Ensure cable foil's conductive surface is facing out

F/UTP cable preparation:

1. Slide side housing on to cable (see Fig. 1)
2. Remove 75mm (3") of cable sheath with cable stripper (see Fig. 2)
3. Unwrap overall foil from cable
4. Remove cable cellophane wrap and center section with wire clippers
5. Wrap approx 30mm (1.2") of foil down length of cable sheath (see Fig. 3)
 - Ensure cable foil's conductive surface is facing out



Fig. 4

EC/ECM NO: 115310	SAP NO : 187000406	Doc No: AS-18700-100 Doc part: AS	REV- A2
SAP EC NO: 10832335	http://www.molexces.com/		DATE: 2017/MAY/11

Cable termination to jack:

1. Wiring map (see Fig. 4)
2. Untwist cable pairs and punch down wires to corresponding jack IDC contacts with 110 tool
 - Ensure 10mm maximum pair un-twist is maintained
3. Ensure wires are trimmed flush to IDC towers
4. Ensure cable sheath is maintained up to the jack

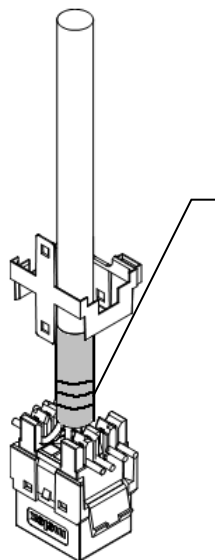


Fig. 5

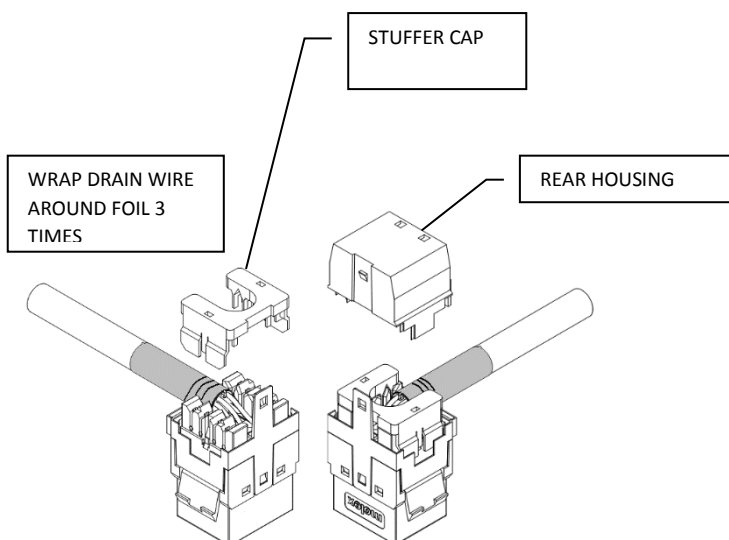


Fig. 6

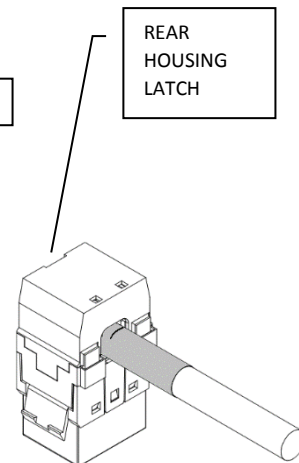


Fig. 7

To fit side entry housing to jack:

1. Wrap drain wire around cable foil 3 times (see Fig. 5)
2. Determine if cable must exit on right side or left side of jack
 - Snap side entry housing on left or right side of jack (see Fig. 6)
 - Bend cable 90° to left or right side of jack (see Fig. 6)
3. Fit cable strain relief stuffer cap to IDC towers (see Fig. 6)

To remove rear housing from jack:

1. Lift side entry snap latches with screwdriver (see Fig. 7)
2. Pull rear housing apart from jack