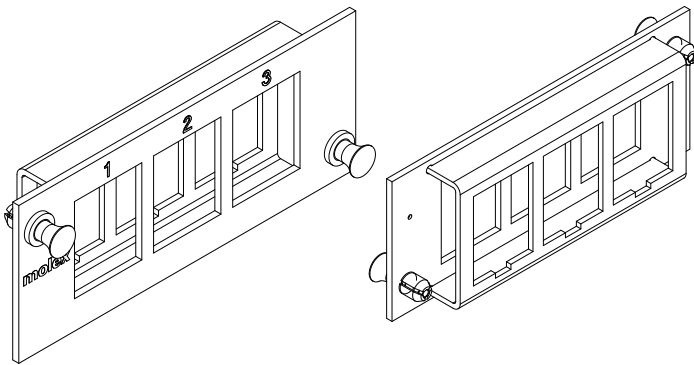
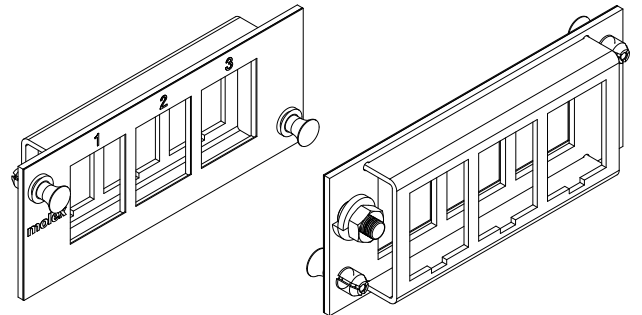


CONNECTOR PLATE 3XDG INSTALLATION INSTRUCTION**1.0 SCOPE**

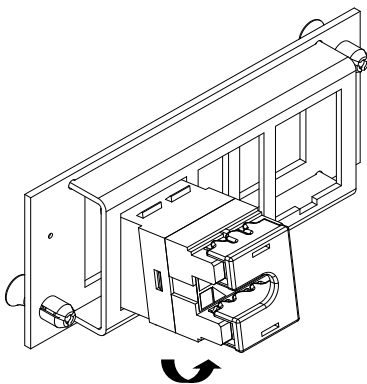
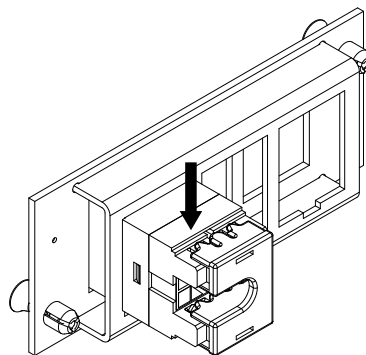
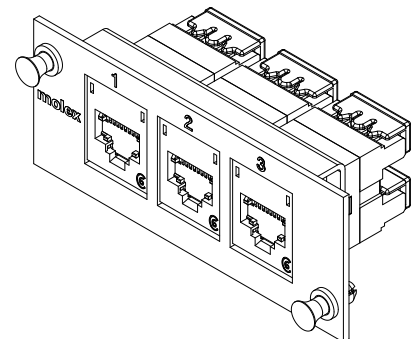
This document will provide installation instructions of Connector plate.

2.0 PRODUCT DESCRIPTION

6-Pack plate can accommodate 3 DG modules.

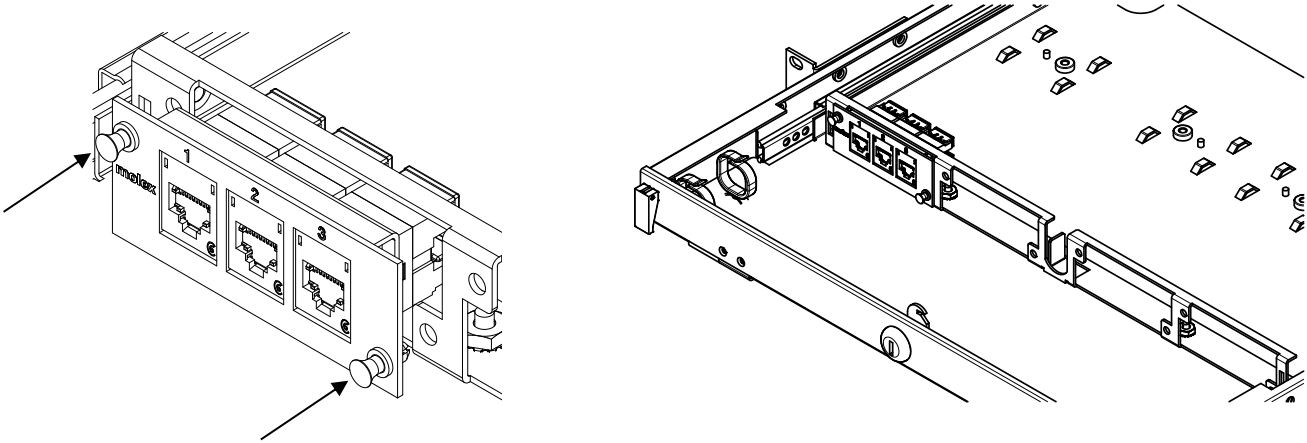
UTP Connector plate:**FTP Connector plate:****3.0 PROCEDURE****3.1 Installation of DG jacks in to the connector plate:**

- Orient jack to the connector plate as shown (Fig.1)
- Slide in jack into connector plate port opening at slight angle (Fig.1)
- Snap jack into connector plate by pushing down on top of jack (Fig.2)

**Fig. 1****Fig. 2**

3.2 Installation of connector plate in to the enclosure:

- Orient the connector plate loaded to the enclosure.
- Connector plate utilize corner retention push pins which when pulled upon open two corner fasteners.
- Position the plate in the appropriate location within the enclosure and push the two corner fasteners gently back until they will go no further.



3.3 To install the ground wire, perform the following procedure:

- Prepare an adequate length of 14AWG stranded grounding wire for the ground connection.
- Strip 0.25 in. of insulation from the ground wire and secure the wire to the earth screw and Clamp it with spring washer and nut.

