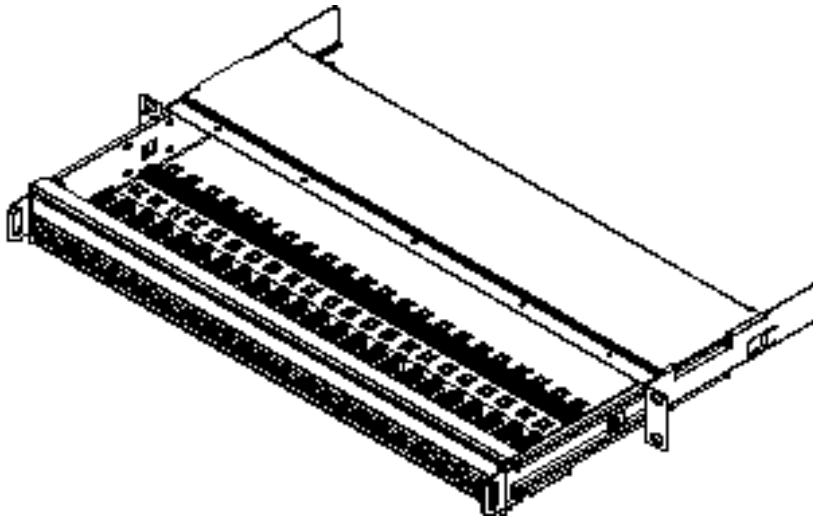


SHIELDED PATCH PANEL



1.0 SCOPE

This document provides installation instructions of Shielded Patch Panel.

2.0 PRODUCT DESCRIPTION

This is Shielded Patch Panel.

3.0 REFERENCE DOCUMENTS

4.0 PROCEDURE

4.1 GENERAL REQUIREMENTS

4.2 ASSEMBLY INSTRUCTIONS

4.3 REMOVAL INSTRUCTIONS

Tools required.

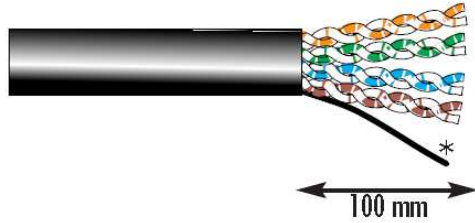
110 TERMINATION TOOL SET ON LOW IMPACT.



MPN NO.	SAP NO.
315-120	187000393

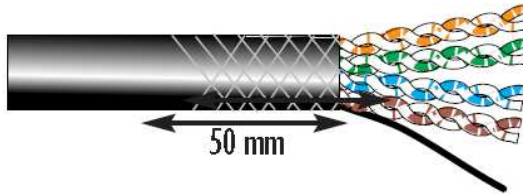
REVISION: A1	ECR/ECN INFORMATION: EC No: MTS2012-071 DATE: 2013 / 07 / 16	TITLE: INST SHEET SLDG SHL PANEL	SHEET No. 1 of 4
DOCUMENT NUMBER: AS-18700-086	CREATED / REVISED BY: SNAGARAVENKA	CHECKED BY: BJ MAHENDRA	APPROVED BY: DURAN, JIM

1.

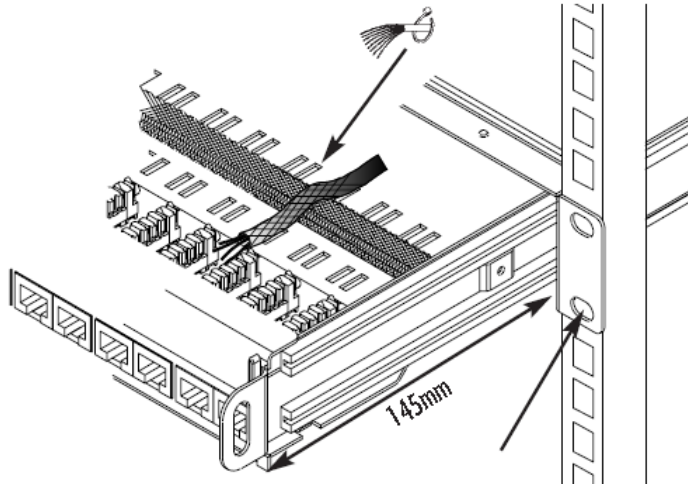


* Drain Wire

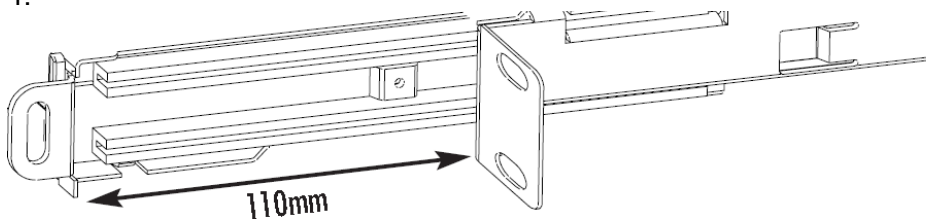
2.



3.



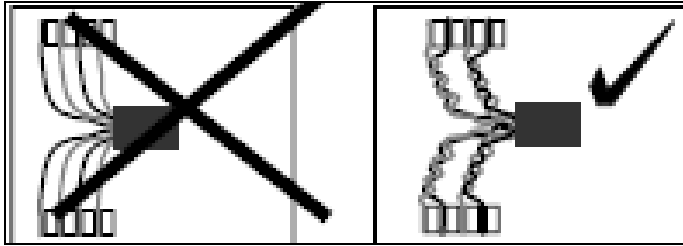
4.



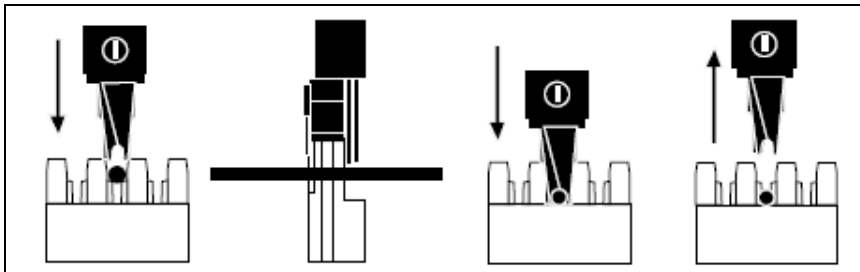
MPN NO.	SAP NO.
315-120	187000393

REVISION: A1	ECR/ECN INFORMATION: EC No: MTS2012-071 DATE: 2013 / 07 / 16	TITLE: INST SHEET SLDG SHL PANEL	SHEET No. 2 of 4
DOCUMENT NUMBER: AS-18700-086	CREATED / REVISED BY: SNAGARAVENKA	CHECKED BY: BJ MAHENDRA	APPROVED BY: DURAN, JIM

5.

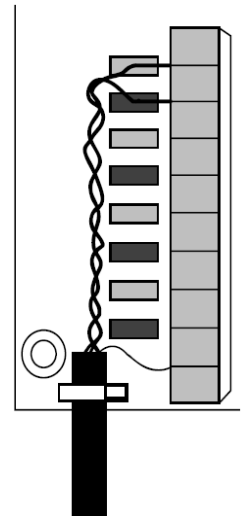


6.



568A

F	D	E	NL	GB	Jack Pin
blanc/bleu	weiß/blau	blanco/azul	wit/blauw	white/blue	5--
bleu	blau	azul	brau	blue	4--
blanc/vert	weiß/grün	blanco/verde	wit/groen	white/green	1--
vert	grün	verde	groen	green	2--
blanc/orange	orange/weiß	blanco/naranja	wit/oranje	white/orange	3--
orange	orange	naranja	oranje	orange	6--
blanc/marron	weiß/braun	blanco/marron	wit/bruin	white/brown	7--
marron	braun	marron	bruin	brown	8--
*	*	*	*	drain wire	Shield

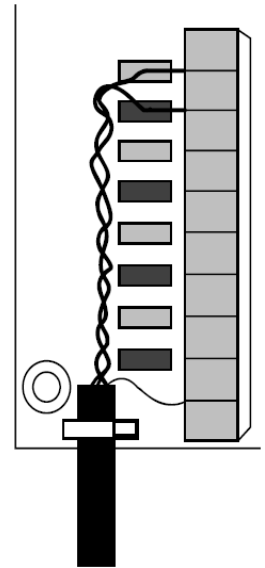


MPN NO.	SAP NO.
315-120	187000393

REVISION: A1	ECR/ECN INFORMATION: EC No: MTS2012-071 DATE: 2013 / 07 / 16	TITLE: INST SHEET SLDG SHL PANEL	SHEET No. 3 of 4
DOCUMENT NUMBER: AS-18700-086	CREATED / REVISED BY: SNAGARAVENKA	CHECKED BY: BJ MAHENDRA	APPROVED BY: DURAN, JIM

568B

F	D	E	NL	GB	Jack Pin
blanc/bleu	weiß/blau	blanco/azul	wit/blauw	white/blue	5--
bleu	blau	azul	brauw	blue	4--
blanc/orange	weiß/orange	blanco/naranje	wit/oranje	white/orange	1--
orange	orange	naranje	oranje	orange	2--
blanc/vert	weiß/grun	blanco/verde	wit/groen	white/green	3--
vert	grun	verde	groen	green	6--
blanc/marron	weiß/braun	blanco/marron	wit/bruin	white/brown	7--
marron	braun	marron	bruin	brown	8--
*	*	*	*	drain wire	Shield



MPN NO.	SAP NO.
315-161	187000390

REVISION: A1	ECR/ECN INFORMATION: EC No: MTS2012-071 DATE: 2013 / 07 / 16	TITLE: INST SHEET SLDG SHL PANEL	SHEET No. 4 of 4
DOCUMENT NUMBER: AS-18700-086	CREATED / REVISED BY: SNAGARAVENKA	CHECKED BY: BJ MAHENDRA	APPROVED BY: DURAN, JIM