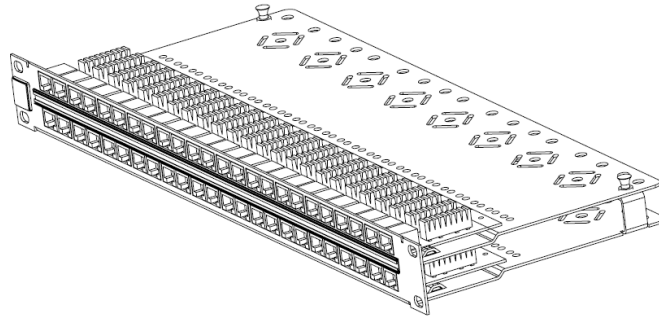




POWER CAT 48 PATCH PANEL



1.0 SCOPE

This document provides installation instructions of Power Cat 48 Port Patch Panel.

2.0 PRODUCT DESCRIPTION

- This is Power Cat 48 Port Patch Panel.

3.0 PROCEDURE

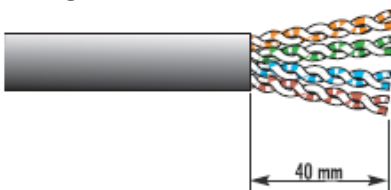
3.1 ASSEMBLY INSTRUCTIONS

- **Tools required.**

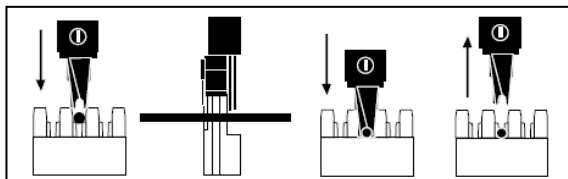
110 TERMINATION TOOL SET ON LOW IMPACT.



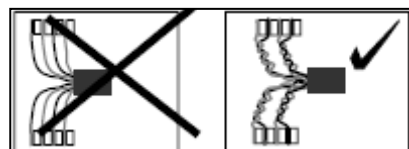
1. UTP

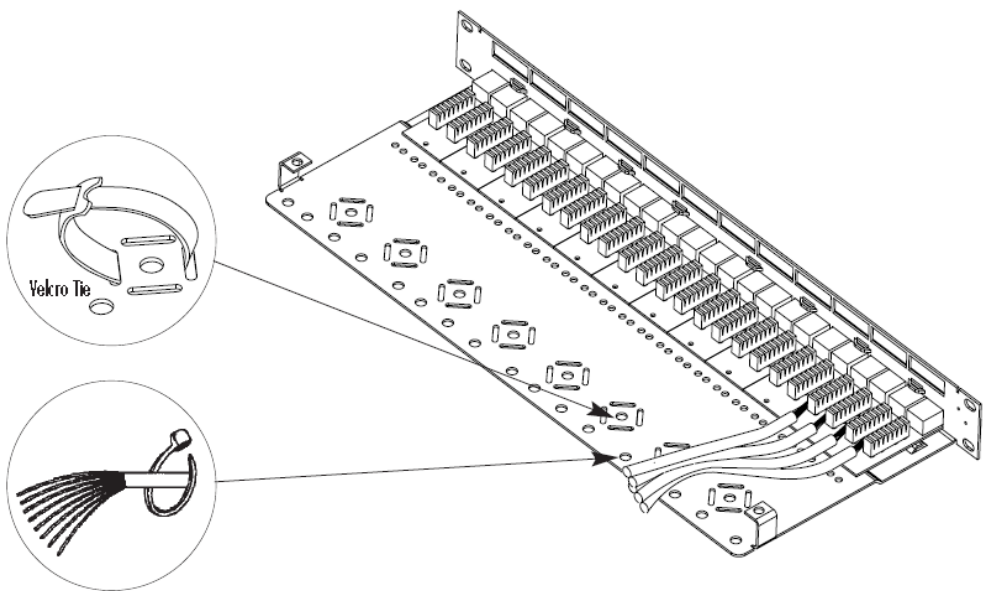


2.

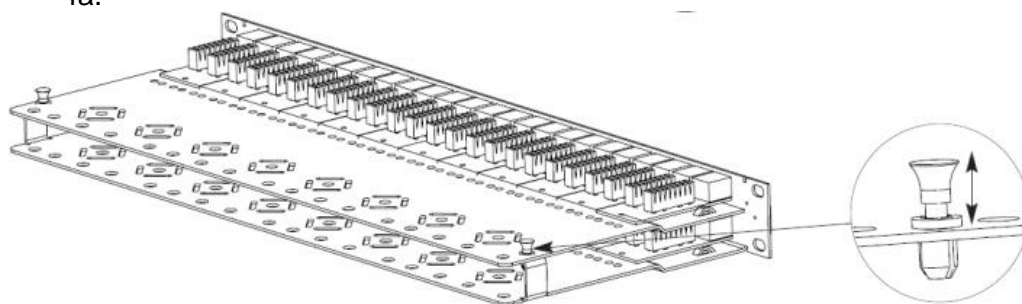


3.

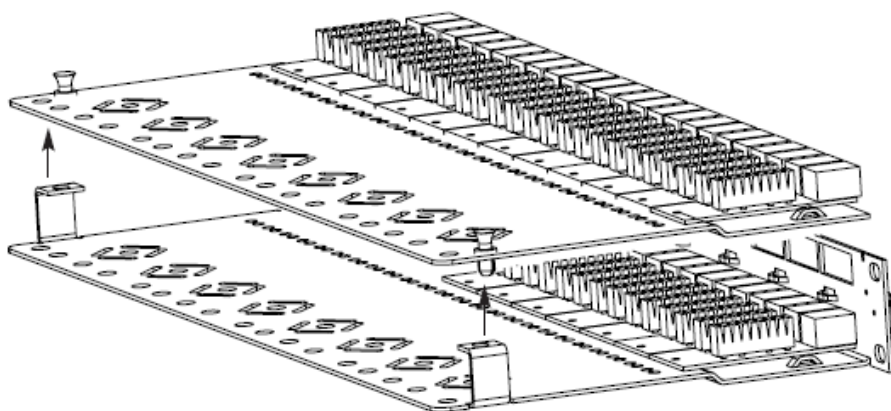




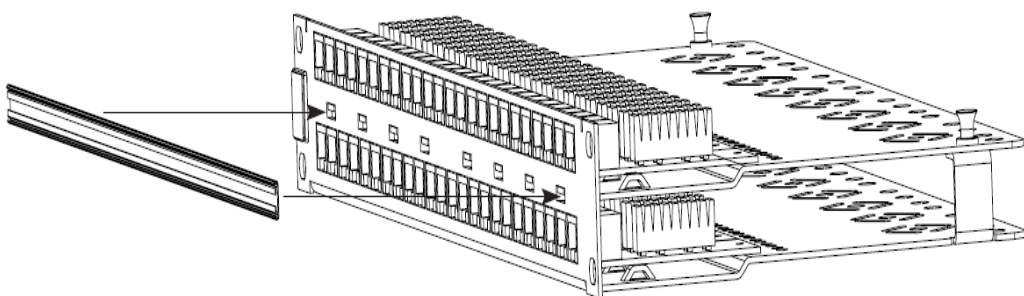
4a.



4b.

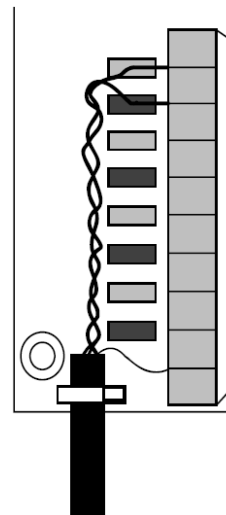


4c.



568A

F	D	E	NL	GB	Jack Pin
blanc/bleu	weiß/blau	blanco/azul	wit/blauw	white/blue	5--
bleu	blau	azul	brau	blue	4--
blanc/vert	weiß/grun	blanco/verde	wit/groen	white/green	1--
vert	grun	verde	groen	green	2--
blanc/orange	orange/weiß	blanco/naranje	wit/oranje	white/orange	3--
orange	orange	naranje	oranje	orange	6--
blanc/marron	weiß/braun	blanco/marron	wit/bruin	white/brown	7--
marron	braun	marron	bruin	brown	8--
*	*	*	*	drain wire	Shield



568B

F	D	E	NL	GB	Jack Pin
blanc/bleu	weiß/blau	blanco/azul	wit/blauw	white/blue	5--
bleu	blau	azul	brauw	blue	4--
blanc/orange	weiß/orange	blanco/naranje	wit/oranje	white/orange	1--
orange	orange	naranje	oranje	orange	2--
blanc/vert	weiß/grun	blanco/verde	wit/groen	white/green	3--
vert	grun	verde	groen	green	6--
blanc/marron	weiß/braun	blanco/marron	wit/bruin	white/brown	7--
marron	braun	marron	bruin	brown	8--
*	*	*	*	drain wire	Shield

