

### Features and Benefits

Recommended for voice and data systems, Molex's KATT PDS Wall Mount Frame system is comprised of a rugged steel frame that mounts easily to a wall providing a complete communications facility with ample space behind the unit for incoming cable. The frame is available in 300 and 900 pair versions that accommodate 100 pair bases and horizontal and vertical cable management rings, plus drip trays to keep excess cable length safely off the floor.

The Wall Mount Frame, Drip Trays, and Ring Run Panels are constructed of rugged, black powdercoated steel. The cable management rings on the panels are made of durable Lexan and the Vertical Rings are black powdercoated steel.

The KATT PDS Wall Mount Frame and Accessories can be purchased as individual components or in convenient kit form—unloaded, or loaded with Molex Premise Networks Category 5e compliant KATT connectors—to suit all application requirements. Kits are packaged according to system density as follows:

### Reference Information

Parts List

#### 300 Pair Kit

- (1) Wall Mt. Frame
- (1) Wall Mt. Frame Drip Tray
- (3) 100 Pair Bases with designation labels
- (3) Ring Runs (shallow or deep depending on kit)
- (20) KATT4 & (4) KATT5 Conn per 100 Pr Base (loaded kits only)
- Self-tapping screws for mounting components to the frame

#### 900 Pair Kit

- (1) Wall Mt. Frame
- (1) Wall Mt. Frame Drip Tray
- (9) 100 Pair Bases with designation labels
- (9) Ring Runs (shallow or deep depending on kit)
- (20) KATT4 & (4) KATT5 Conn per 100 Pr Base (loaded kits only)
- Self-tapping screws for mounting components to the frame

#### 300 Pair Vertical Ring Kit

- (3) KATT PDS Vertical Rings
- (1) Vertical Drip Tray
- Self-tapping screws for mounting components to the frame

#### 900 Pair Vertical Ring Kit

- (9) KATT PDS Vertical Rings
- (1) Vertical Drip Tray
- Self-tapping screws for mounting components to the frame

### Technical Information

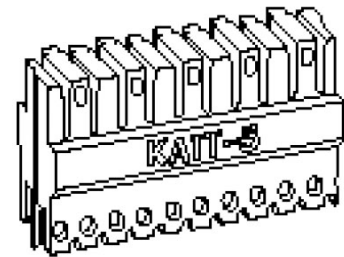
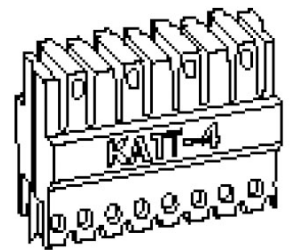
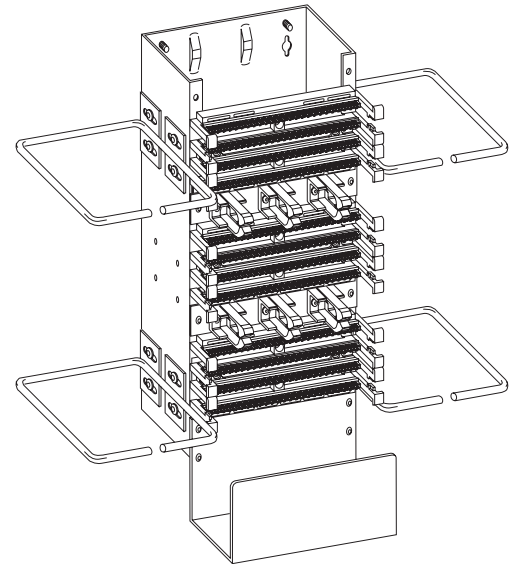
#### Mechanical Characteristics

##### KATT Connector

Operating Life: Minimum 200 Retermination  
 Contact Material: Phosphor Bronze  
 Contact Plating: Sn/Pb over Ni  
 Wire Size: 2 x 22-26 AWG  
 Housing Material: ULVO Rated Thermoplastic

#### Electrical/Optical Characteristics

DC Resistance: <21mOhm  
 DC Resistance Imbalance: <2.0mOhm  
 Insulation Resistance: >100mOhm  
 Attenuation(dB): @ 1MHz 0.0021  
                                   @ 16MHz 0.0088  
                                   @ 100MHz 0.014  
 Crosstalk (dB): @ 1MHz -82.67  
                                   @ 16MHz -60.78  
                                   @ 100MHz -47.00  
 Crosstalk PowerSum (dB):  
                                   @ 100MHz -45.00  
 Return Loss: @ 1MHz -39.64  
                                   @ 16MHz -34.07  
                                   @ 100MHz -18.87



## MOLEX PREMISE NETWORKS

**Americas**  
 Tel: 630 969 4550  
 www.molexpn.com

**EMEA**  
 Tel: 44 (0)2392 205800  
 www.molexpn.co.uk

**APAC**  
 Tel: 61 3 9971 7111  
 www.molexpn.com.au

**ORDERING INFORMATION****molex** **KATT Style:  
PDS Frame and  
Accessories Kits**

<b>Order No.</b>	<b>SAP No.</b>	<b>Description</b>
36.C0224	Consult Molex	PDS 300 Pair Wall Mount Frame Kit - Shallow (with KATT 4 and KATT 5 connectors)
36.C0234	Consult Molex	PDS 300 Pair Wall Mount Frame Kit - Deep (with KATT 4 and KATT 5 connectors)
36.C0264	Consult Molex	PDS 900 Pair Wall Mount Frame Kit - Shallow (with KATT 4 and KATT 5 connectors)
36.C0274	Consult Molex	PDS 900 Pair Wall Mount Frame Kit - Deep (with KATT 4 and KATT 5 connectors)
36.C0284	Consult Molex	PDS 300 Pair Wall Mount Frame Vertical Ring Run Kit
36.C0294	Consult Molex	PDS 900 Pair Wall Mount Frame Vertical Ring Run Kit

**MOLEX PREMISE NETWORKS**

**Americas**  
Tel: 630 969 4550  
www.molexpn.com

**EMEA**  
Tel: 44 (0)2392 205800  
www.molexpn.co.uk

**APAC**  
Tel: 61 3 9971 7111  
www.molexpn.com.au