

Features and Benefits

The MOD-SNAP ISDN module offers an improved labelling facility which is compatible with industry standard 6mm label tapes, resulting in a neat and professional finish. This ISDN module offers a versatile method of installing ISDN services in a structured cabling environment. Built-in resistors within the rear mounted KATT RJLP connector provide the correct termination of the ISDN Basic Rate S-Bus. Compatible with MOD-SNAP wallplates, the shallow depth of the KATT RJLP connector enables the product to be accepted by BS 4662 back boxes of only 16mm depth. For floorbox and trunking applications a minimum of 18mm rear clearance is required.

- Fitted with built-in resistors
- Blue shutter distinguishes ISDN from other modules
- Compatible with existing range of Euromod modules and accessories
- No special application tooling requirements
- Fully compliant with ISO 8877

Technical Information

Termination Tools:

Molex Premise Networks and other industry standard installation tools

IDC Terminations:

Suitable for 0.4mm - 0.6mm solid or stranded cable, maximum o.d. 1.5mm. Two wires may be terminated for daisy-chain applications.

Patents pending on connector and module designs.

Mechanical Characteristics

Jack Connector

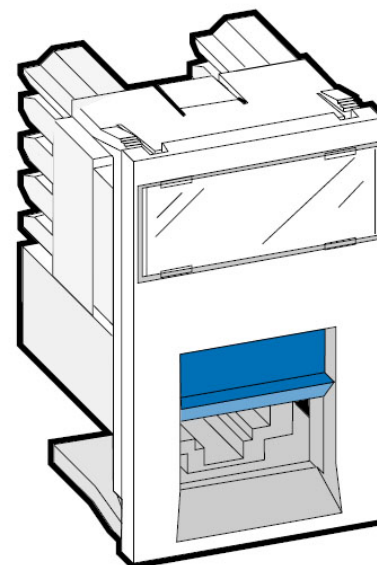
Operating Life: Minimum 500 insertion cycles
 Contact Material: Phosphor Bronze
 Contact Plating: 1.25µm Au/Ni
 Material: UL 94VO Thermoplastic

IDC Connector

Operating Life: Minimum 100 Reterminations
 Contact Material: Phosphor Bronze
 Contact Plating: Sn/Pb over Ni
 Wire Size: 2x 26-22 AWG solid or stranded

Electrical/Optical Characteristics

D.C. Resistance: <20mΩ
 D.C. Resistance Imbalance: <2.0mΩ
 Insulation Resistance: >100MΩ
 100 Resistors: Pins 4-5
 Pins 3-6



ORDERING INFORMATION

Order No.	SAP No.	Description
42.10.017.A001*	Consult Molex	MOD-SNAP ISDN Module Basic Rate

Molex Premise Networks standard fascia colour is white. Other colours may be subject to minimum order quantities.

MOLEX PREMISE NETWORKS

Americas
 Tel: 630 969 4550
 www.molexpn.com

EMEA
 Tel: 44 (0)2392 205800
 www.molexpn.co.uk

APAC
 Tel: 61 3 9971 7111
 www.molexpn.com.au