



Features and Benefits

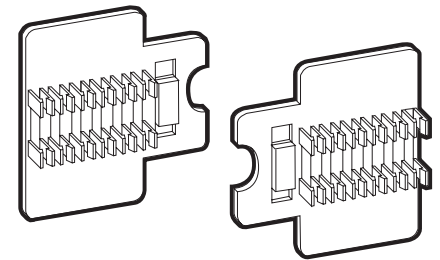
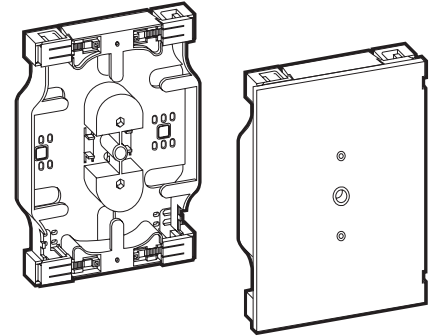
The Molex Universal Splice Tray is a unique configurable enclosure for both mechanical and fusion splices.

Each Tray can accept either two fusion splice holders or two mechanical splice holders. Loose tube cable is routed into and out of the tray through unique adjustable tube grips located at each corner. These grips eliminate the need for separate cable ties and being adjustable, are easily tightened and loosened preventing over-compression of the loose tube cable.

- Accepts mechanical and fusion splices
- Adjustable grips on each corner
- Prevents over-compression of the loose tube cable
- Accommodates up to 12 splices

Technical Information

Material molded ABS
 Shipping weight 3.5 oz. (99g)
 Dimension 95mm W x 143mm H x 13mm D
 (3.75" x 5.625" x 0.5")



Mechanical Splice Holders

Fusion Splice Holders

ORDERING INFORMATION

Order No.	Description
91-7800-00	Universal Splice Tray
91-7800-01	5 Fibre Mechanical Splice Holder
91-7800-02	6 Fibre Fusion Splice Holder
91-7800-03	Universal Splice Tray - Without Lid
91-7800-12	3 Mechanical Splice Holder (Accepts CoreLink®, Fibrelock® and Ultrasplice®)

This information is correct as at the time of publication, specifications are subject to change

Corporate Headquarters
 Tel: 630 969 4550
 www.molexpn.com

European Headquarters
 Tel: 44 (0) 1489 572111
 www.molexpn.co.uk

Pacific Rim Headquarters
 Tel: 61 3 9971 7111
 www.molexpn.com.au