

molex
CoreSync

**Advanced Sensor
Mounting
Application Note**

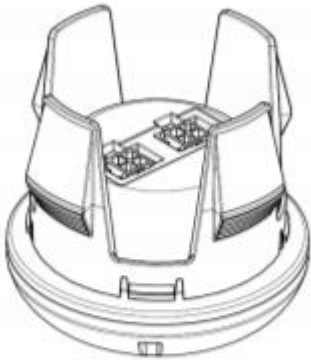


Table of Contents

Introduction	3
Procedure	4
Surface Mount.....	4
Bracket Mount	6
Ordering Information.....	7
Revision History	7

Introduction

This applications notes will cover how to properly mount an Advanced Sensor onto a desired ceiling type. There are 3 different types of advanced sensors (Beacon, Lighting, and AQ), however all follow the same mounting procedure. The user has two options for mounting style: Panel Mount and Bracket Mount as seen below.

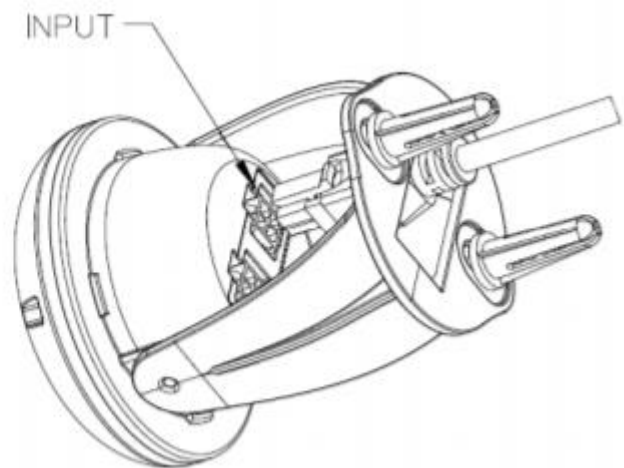
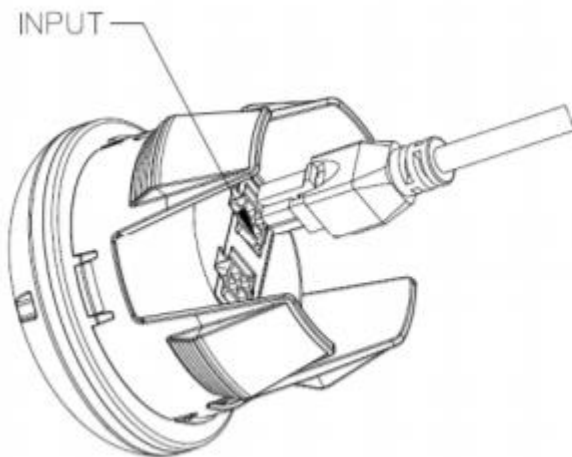


**Sensor with the flush
mount hardware**



**Sensor with the bracket
mount hardware**

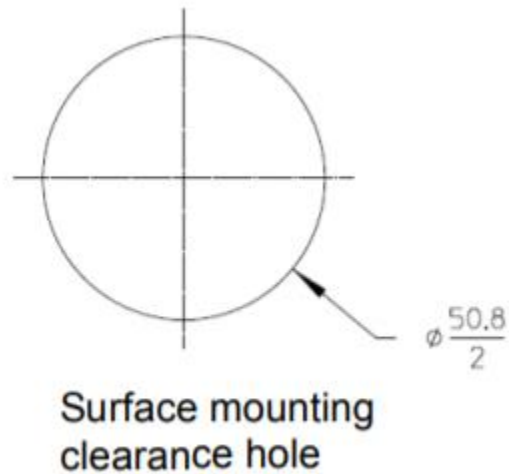
This document will go over the procedure for both mounting types.



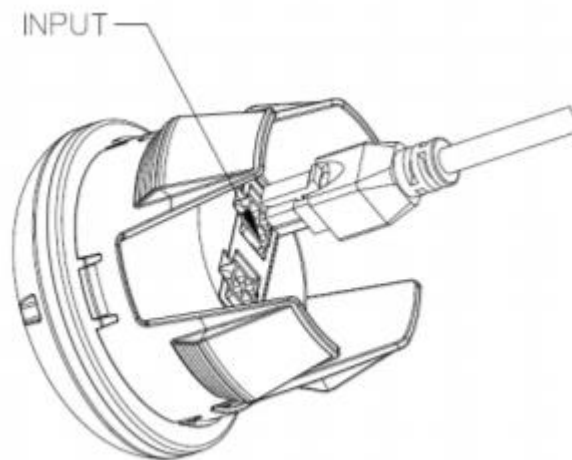
Procedure

Surface Mount

1. When using the surface mount option, connect the sensor to the mounting hardware before pushing to ceiling.
2. A 2" clearance hole must be drilled out of the desired ceiling.

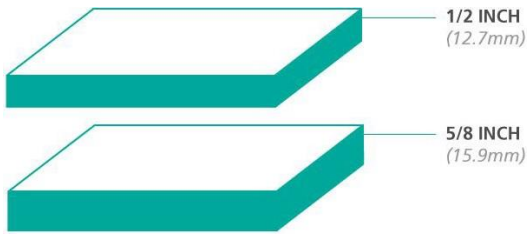


3. Once the hole has been created, snap in the wire harness 4ckt male connector into the 4ckt female connector as seen below. The connector from the Gateway side must plug into the INPUT connector:

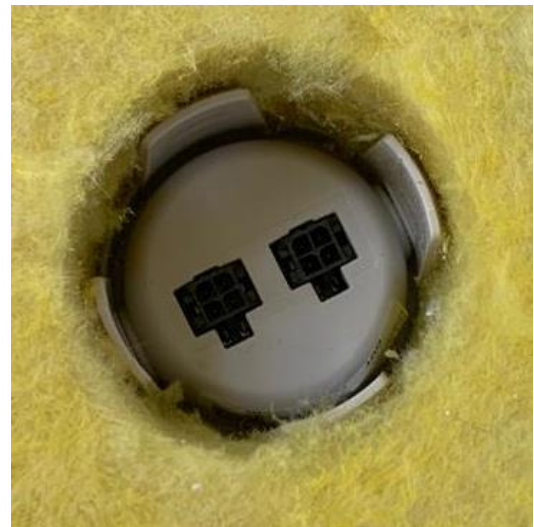
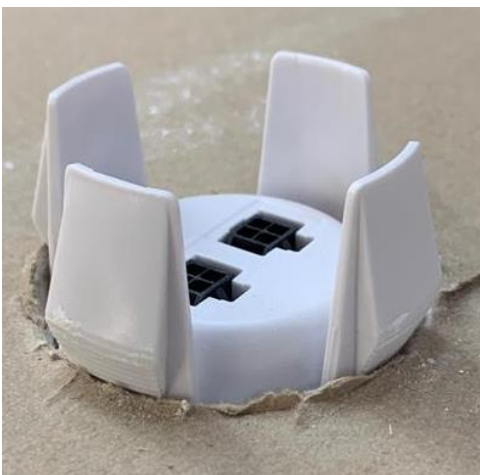


- The surface mount bracket has been designed to be universal and fit into any type of ceiling material. Ceiling tiles are typically made with mineral wool, fiberglass, gypsum, perlite, clay, cellulose, or starch. Ceiling made from fiber glass, or similar material, needs to have a minimum thickness of **5/8"**. Drywall thickness can vary between **1/2"** and **5/8"** to be compatible with bracket. If sheet metal is used, metal thickness cannot exceed **1.5mm**.

Drywall Thickness

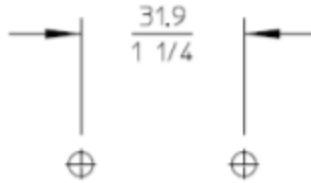


Fiber Glass Thickness



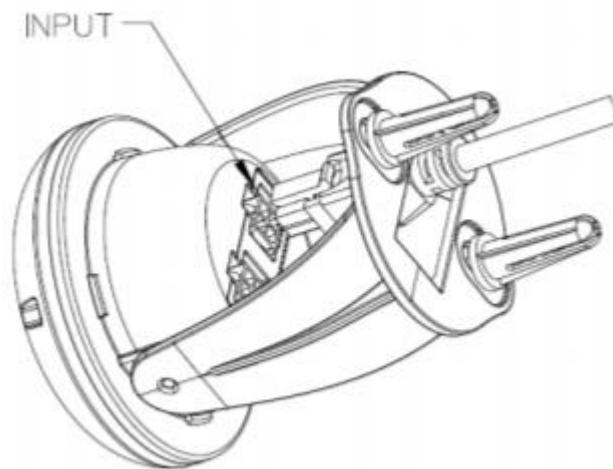
Bracket Mount

1. When using the bracket mount option, screw the bracket (screws and anchors) into the surface first before connecting the sensor to the mounting bracket.
2. If using the bracket mount version, two holes with a maximum diameter of **3/16"** must be drilled out of desired surface. These two holes must be **1 1/4"** away from each other.



**Bracket mount
hole pattern**

3. Once the holes have been created and bracket has been mounted, snap in the wire harness 4ckt male connector into the 4ckt female connector as seen below. The connector from the Gateway side must plug into the INPUT connector:



Ordering Information

Advance Sensor: **182089-x000**
CoreSync Bus Harness: **180777-04xx**

Revision History

- 8/20/2020 – Initial Release

