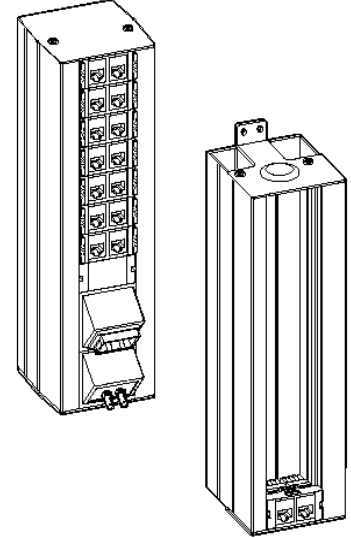


Multi User Telecommunications Outlet (MUTO) >

The Molex Multi User Telecommunications Outlet (MUTO) is the ideal solution for high-density fiber or copper requirements in the office environment. This sleek product holds up to twelve USO or Euromod modules and is easily mounted near file servers, hub products, and workstations. (Can accommodate up to six angled fiber modules – no straight through fiber.)



FEATURES AND ADVANTAGES

Main Body

Two metal end caps (angled)

Two plastic end caps (flat)

Four end cap screws

Two plastic end plugs (for metal end caps)

Two Snapz™ icon trees (alpha)

NFPA (NEC, Life Safety Code) IBC

SPECIFICATIONS

Mechanical Characteristics

Dimensions: 301mm x 89mm x 57mm

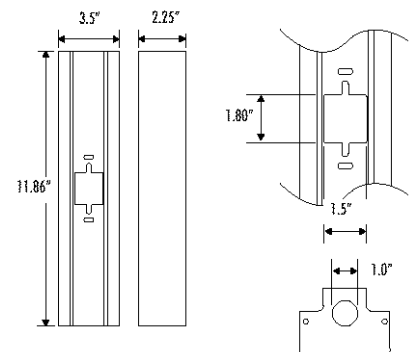
Shipping Weight: 595g

Material

Body: Extruded aluminum with champagne powdercoat

Metal End Caps: 18 Gauge black electrocoat

Plastic End Caps: Black ABS Sheet Stock .06" thickness



ORDERING INFORMATION

Order No.	SAP No.	Description
CPT-00004	Consult Molex	Multi User Telecommunications Outlet (MUTO)

www.molex.com/products/copper/outlets/

Molex is a registered trademark of Molex, LLC in the United States of America and may be registered in other countries; all other trademarks listed herein belong to their respective owners. This information is correct at the time of publication, specifications are subject to change.