

# CoreSync Gateway 60W

The CoreSync Gateway 60W is a low voltage power distribution and network connected module compliant with the IEEE 802.3at standard and Cisco's UPOE standard that utilizes 60W-per-port PoE technology.

This Gateway 60W receives a minimum guaranteed 51 watts of usable power from a PoE Network Switch, ensuring control and secure two-way communication with lights, sensors, and other CoreSync Daisy-Chain devices in a CoreSync-enabled building infrastructure.



## FEATURES AND ADVANTAGES

IEEE 802.3at and Cisco UPOE compliant device	Uses low voltage PoE infrastructure for power and communication with lights, sensors, and other devices
Input power up to 60W	Capable of powering a single or multiple CoreSync devices
CoAP network communication	Easy and secure convergence of IP infrastructure
CoreSync Enabled	Daisy-Chain capable with easy connection to all CoreSync devices
UL 2108 listed	Safe operation and industry standard compliance

## SPECIFICATIONS

### Electrical

Maximum Power Input:	60W at 42-57VDC
Maximum Power Output:	57.5W at 42-57VDC
Nominal Power Input:	51W at 42-57VDC (as per UPOE Standard)
Standby Power Consumption:	1.5W at No Load
Power Consumption at 51W:	2.0W (6.82 BTU/hr)
Power Consumption at 60W:	2.5W (8.53 BTU/hr)

### Commercial Standards

PoE, PoE+, UPOE  
Class 2 Electrical Device  
UL 2108 Listed  
CSA22.2 No. 250  
FCC Part 15 Subpart B  
Plenum Rated (Metal Enclosure)  
UKCA  
BIS

### Product Safety

Internal Over-Temperature Protection  
DO NOT hot swap

### Mechanical

Housing Material:	Extruded Aluminum (Metal Enclosure)
Length:	117.7 mm (4.63 in)
Width:	53.33 mm (2.10 in)
Height:	25.51 mm (1.00 in)
Weight:	119 g (4.19 oz)
Housing Material:	LEXAN 243R-111 (Plastic Enclosure)
Length:	97.4 mm (3.83 in)
Width:	53.33 mm (2.10 in)
Height:	24.2 mm (0.95 in)
Weight:	79 g (2.79oz)

### Environmental

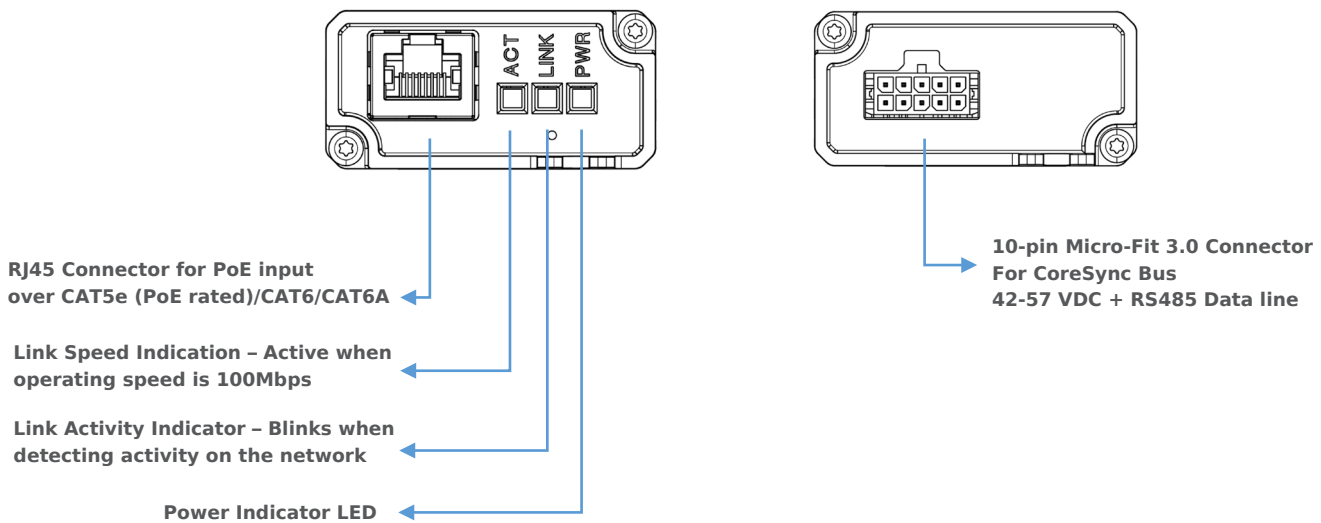
Ambient Temp Range:	0 to 40°C (32 to 104°F)
Storage Temperature:	-40 to 85°C (-40 to 185°F)
Max. case temperature:	90°C for Metal Enclosure; 75°C for Plastic Enclosure
Relative Humidity:	10-80% Non-Condensing
Environmental Rating:	Indoor

[www.molex.com/products/coresync/](http://www.molex.com/products/coresync/)

# CoreSync Gateway 60W ➤

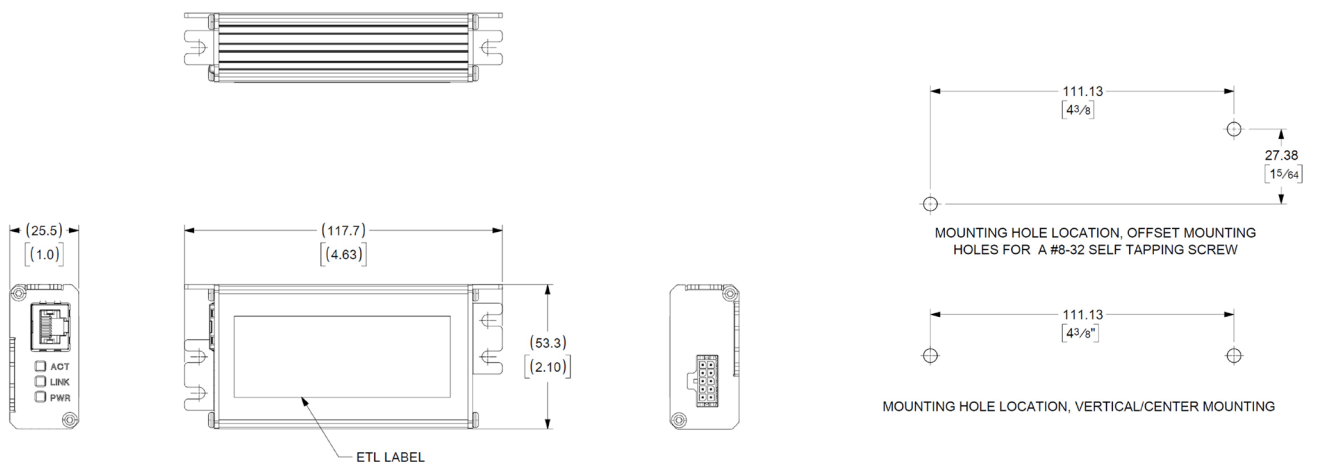
## CONNECTION INTERFACES

Connection	Connection Specification
PoE Input	RJ45, CAT 5e (PoE rated) cable or better (visit <a href="https://www.molexces.com/products/copper/">https://www.molexces.com/products/copper/</a> )
CoreSync Output	10-Pin Micro-Fit 3.0 Connector for CoreSync Harness (visit <a href="https://www.molexces.com/product/coresync-led-cable-harnesses-for-poe-gateways-and-drivers/">https://www.molexces.com/product/coresync-led-cable-harnesses-for-poe-gateways-and-drivers/</a> )



## Dimensions

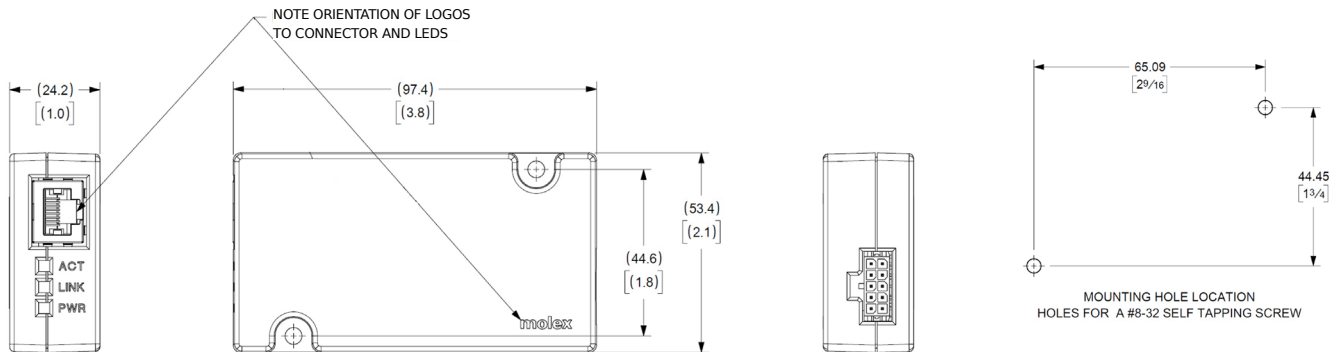
### Metal



[www.molexces.com/products/coresync/](http://www.molexces.com/products/coresync/)

# CoreSync Gateway 60W

## Plastic



## ORDERING INFORMATION

Order No.	Description
180990-0001	CoreSync Gateway 60W, White Plastic
180990-0101	CoreSync Gateway 60W, Black Plastic
180993-0001	CoreSync Gateway 60W UPOE, Silver Metal

## RELATED PRODUCTS

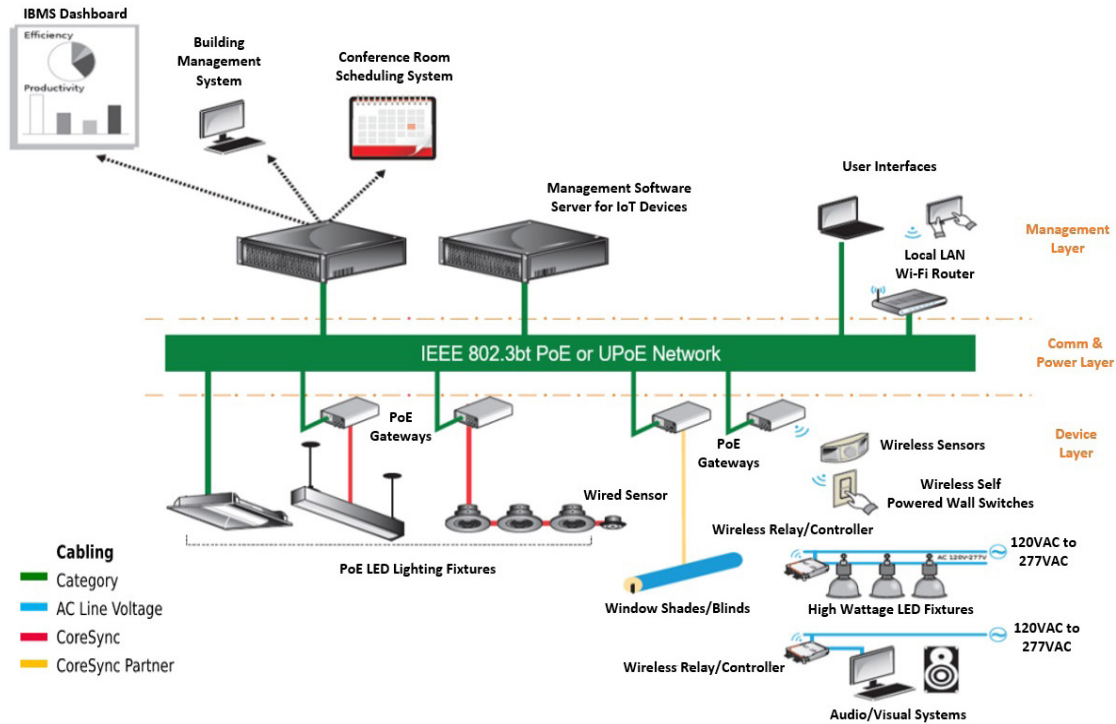
Molex Series	Description	Gauge / Conductor	Start	End	Plenum Rated Cable
180777,180778	CoreSync Daisy-Chain	20/4	4-pin Micro-Fit receptacle	4-pin Micro-Fit receptacle	No
180887, 180888	CoreSync Gateway 1.0 to Driver		10-pin Micro-Fit receptacle	4-pin Micro-Fit receptacle	No
182105-XXXX	CoreSync Gateway to Driver, Reverse Gender		10-pin Micro-Fit receptacle	4-pin Micro-Fit plug	No
182106-XXXX	CoreSync Extender, 2- Gender		4-pin Micro-Fit receptacle	4-pin Micro-Fit plug	No
182110-00XX	CoreSync Extender, 2-Gender Panel Mount		4-pin Micro-Fit receptacle	4-pin Micro-Fit Plug Panel Mount	No
182110-4XXX	CoreSync Long- Run Cable	18/4	4-pin Micro-Fit receptacle	4-pin Micro-Fit receptacle	Yes
182110-5XXX	CoreSync Poke-In Extender		4-pin Micro-Fit receptacle	4-way Poke in	Yes
182110-6XXX	CoreSync Extender, 2- Gender		4-pin Micro-Fit receptacle	4-pin Micro-Fit plug	Yes

[www.molex.com/products/coresync/](http://www.molex.com/products/coresync/)

Molex is a registered trademark of Molex, LLC in the United States of America and may be registered in other countries; all other trademarks listed herein belong to their respective owners. This information is correct at the time of publication, specifications are subject to change.

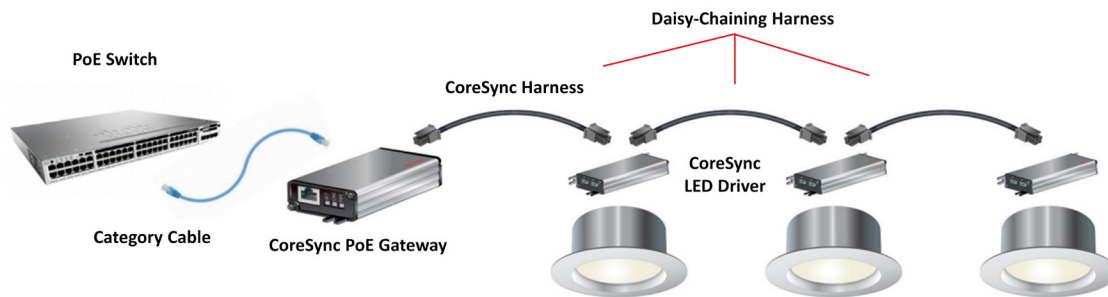
# CoreSync Gateway 60W

## TYPICAL APPLICATION



## DAISY-CHAINING

The CoreSync Gateway 60W receives power and data from a PoE Network Switch via Category cable. From the PoE Switch, the minimum guaranteed power at the input of the Gateway 60W is 51W. If the total power requirement on the Gateway is below 51W for the UPOE 60W standard, a single Gateway 60W can power and control multiple LED Drivers, sensors, and other CoreSync devices in a Daisy-Chain configuration, with the easy-to-use input and output connector scheme. Each CoreSync Daisy-Chain device can be powered and physically connected to a CoreSync Gateway 60W with a rugged and reliable Molex CoreSync Harness cable, using a Molex Micro-Fit 3.0 4-pin connection.



The total power budget on the Gateway must comply with the UPOE standard, and considers the load power, power drop on CoreSync devices in the Daisy-Chain—including the Gateway, and interconnect losses. The overall voltage drop and power drop can be calculated prior to the design. Please refer to CoreSync Harness Length Calculator to calculate the maximum run distance.

[www.molex.com/products/coresync/](http://www.molex.com/products/coresync/)