

EnOcean Ambient Light Sensor >

EnOcean Ambient Light Sensors are wireless and self-powered, providing a cost-effective way to control energy use in unoccupied rooms.

The Ambient Light Sensor measures and reports the level of available natural light, enabling energy-saving daylight harvesting capabilities when used within the CoreSync Network Connected Lighting system.



FEATURES AND ADVANTAGES

Interoperable	Fully compatible with other CoreSync and EnOcean - enabled wireless devices
Wireless	Communicates wirelessly with other CoreSync devices and CoreSync Network Connected Lighting System
Powered by solar energy	No wiring or battery scheme needed
Mounts on any ceiling material	Easy, fast installation

SPECIFICATIONS

Mechanical

Power Supply:	Solar energy harvesting
RF Communications:	902MHz, 868MHz
Transmission Range:	80 ft. (25m)
Measurement interval:	1 minute
Transmission interval:	Immediate if change >50lux vs. last transmission; heartbeat every 20 to 30 minutes, at random
EnOcean Equipment Profile (EEP):	A5-06-02
Minimum Operating Light:	50 lux (for auto-off only)
Agency Compliance:	FCC, IC, RoHS, CE, UKCA, BIS

Dimensions:

6.30" H x 2.36" W x 1.15" D
(160mm x 60mm x 37mm)

Mounting Height: (window)

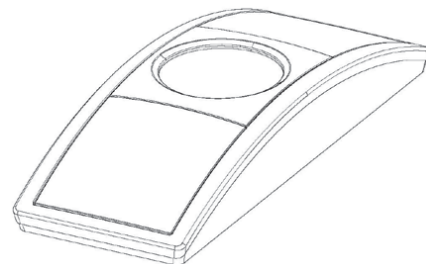
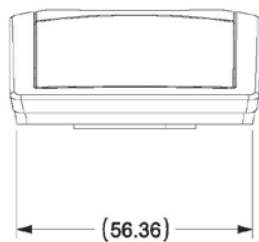
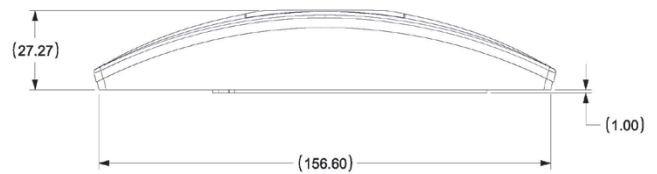
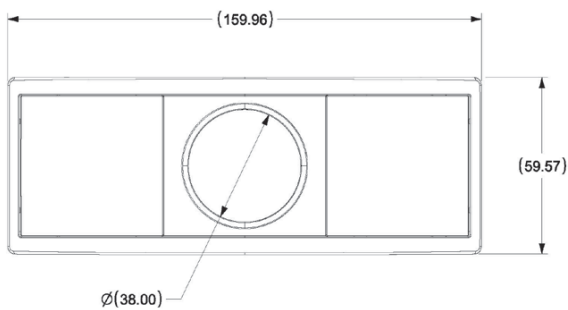
Ceiling, near ambient light source

www.molex.com/products/coresync/

EnOcean Ambient Light Sensor >

ORDERING INFORMATION

Order No.	Description
180997-0006	EnOcean Ambient Light Sensor, 902MHz NA
180997-0106	EnOcean Ambient Light Sensor, 868MHz EU



www.molex.com/products/coresync/

Molex is a registered trademark of Molex, LLC in the United States of America and may be registered in other countries; all other trademarks listed herein belong to their respective owners. This information is correct at the time of publication, specifications are subject to change.