

# CoreSync Advanced RGBW Indicator ➤

The CoreSync Advanced RGBW Indicator is a low voltage sensor platform leveraging network connected Molex CoreSync infrastructure for digital building applications.

The Advanced RGBW indicator is powered and connected by the Molex CoreSync low-voltage PoE network infrastructure and can be easily integrated with BMS and other 3rd-party systems such as lighting, access control, AV, scheduling, fire, mass notification, emergency etc., for augmented building control and automation. The RGBW LED supports software-driven use cases such as presence-based occupancy status and can be used to create pathways and event status notification to the end user.



## FEATURES AND ADVANTAGES

CoreSync enabled	Easy integration with Molex CoreSync system
Class 2 Device	Low voltage PoE infrastructure for power, control, and communication
Integrated Power Monitoring	Calculates valuable energy-use information
Individually addressable	Allows easy discovery, commissioning, and control of each sensor
Dual CoreSync IO Connectors	Daisy-Chain capable with easy connection to all CoreSync devices
Powerful RGBW indicator LED	1-100% PWM with 16 million different colors
Ceiling tile or surface bracket	Comes with two mounting styles for near universal mounting locations

## APPLICATIONS

- Access Control
- Room Availability
- Wayfinding
- Auxiliary Visual Notifications

## SPECIFICATIONS

### Electrical

**Input Power:** CoreSync Bus (42V-57VDC)

**Standby Power:** 0.5W

**Max Power Consumption:** 2W

### Commercial Standards

UL 916 Listed

UL 2043 Listed

CSA22.2 No

FCC Part 15 Subpart B

UKCA, CE, BIS

### Product Safety

Output over-current protection

Output over-voltage protection

Internal Over-Temperature Protection

DO NOT hot swap

### Mechanical

**Housing Material:** ABS Plastic

**Color:** White/Black

**Weight:** 48.76 g (1.72 oz)

*For installation, please refer to the installation manual.*

### Environmental

**Ambient Temp Range:** 0° to 55°C (32°F to 131°F)

**Storage Temperature:** -40° to 60°C (-40°F to 140°F)

**Max Case Temperature:** 60°C

**Relative Humidity:** 10-80% Non-Condensing

**Environmental Rating:** Indoor

### Performance/Detection

**RGBW:** 16 million different colors

**Dimming:** 1-100% PWM

[www.molex.com/products/coresync/](http://www.molex.com/products/coresync/)

# CoreSync Advanced RGBW Indicator >

## CONNECTION INTERFACES

Connection	Connection Specification
CoreSync Input	4-pin Micro-fit 3.0 Connector for CoreSync Harness
CoreSync Output	4-pin Micro-fit 3.0 Connector for CoreSync Harness

### CoreSync IO

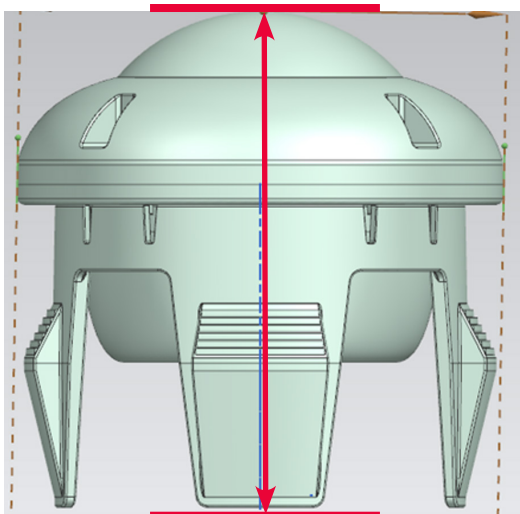


### Daisy-Chaining

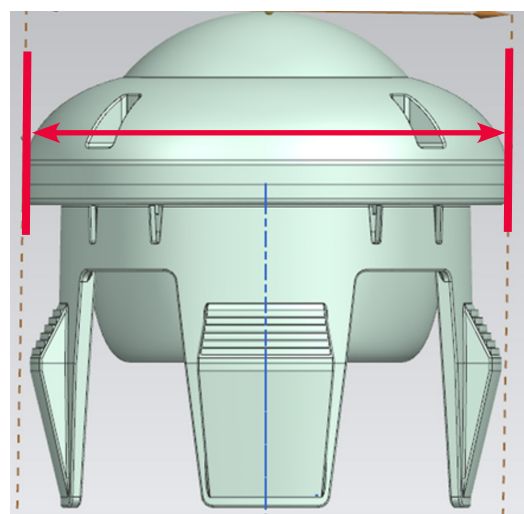


## Dimensions

Height: 62.4mm



Max Width: 58.8mm



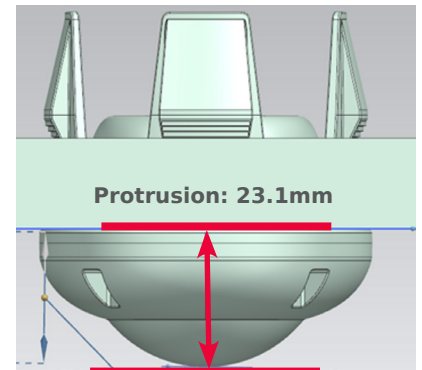
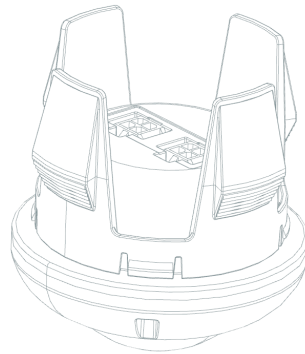
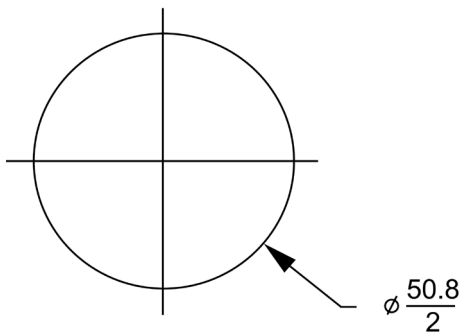
For more details, please see dedicated application note.

[www.molex.com/products/coresync/](http://www.molex.com/products/coresync/)

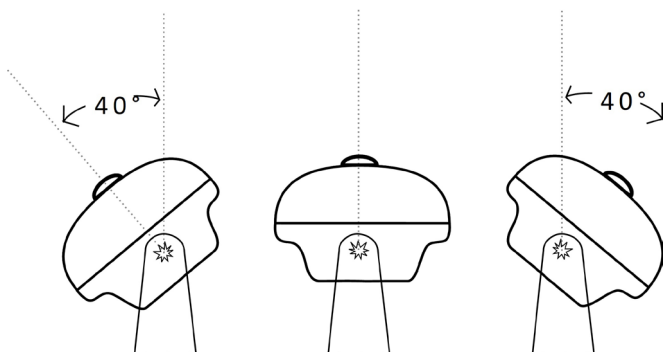
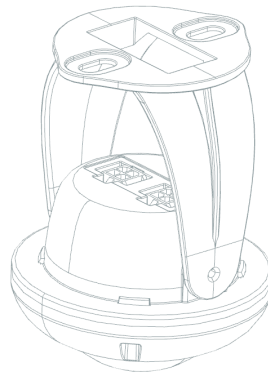
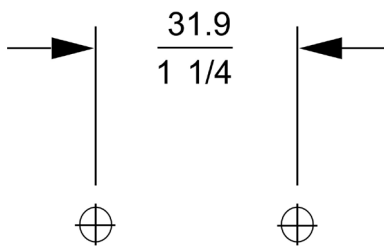
# CoreSync Advanced RGBW Indicator >

## MOUNTING DIMENSIONS

### Surface Mount Clearance



### Bracket Mount Clearance



When used with the bracket mount, the sensor can be placed 40° one way, 40° the other way, or direct center.

[www.molex.com/products/coresync/](http://www.molex.com/products/coresync/)

# CoreSync Advanced RGBW Indicator

## ORDERING INFORMATION

Order No.	Description
182089-1000	CoreSync Advanced RGBW Indicator, White
182089-1001	CoreSync Advanced RGBW Indicator, Black

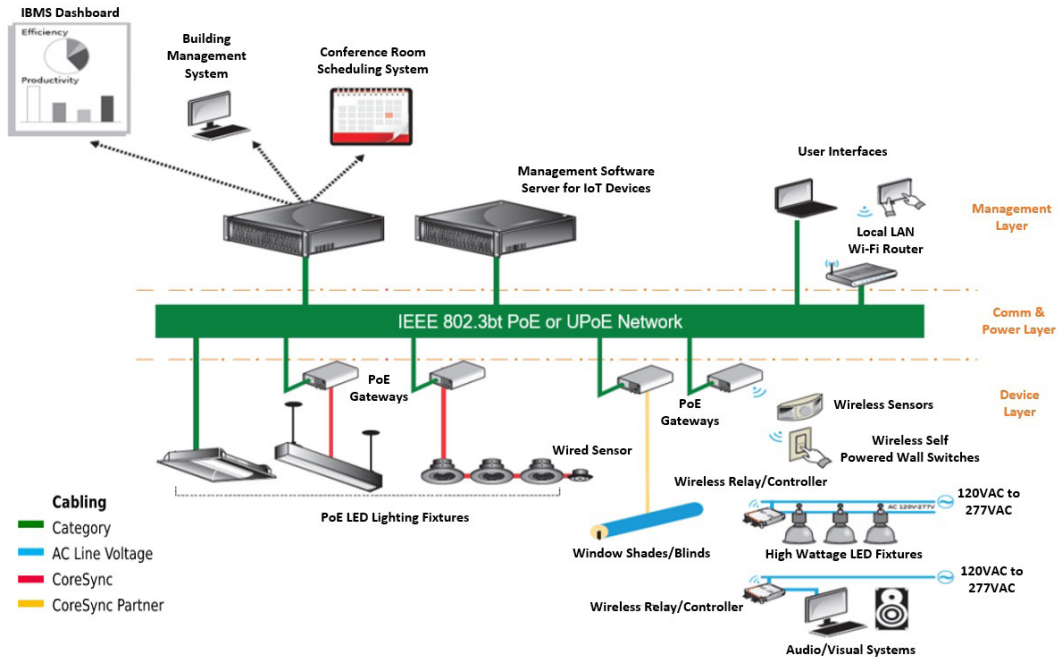
## RELATED PRODUCTS

Molex Series	Description	Gauge / conductor	Start	End	Plenum rated Cable
180777, 180778	CoreSync Daisy-Chain	18/4	4-pin Micro-Fit receptacle	4-pin Micro-Fit receptacle	No
180887, 180888	CoreSync Gateway 1.0 to Driver		10-pin Micro-Fit receptacle	4-pin Micro-Fit receptacle	No
182105-XXX	CoreSync Gateway to Driver, Reverse Gender		10-pin Micro-Fit receptacle	4-pin Micro-Fit plug	No
182106-XXX	CoreSync Extender, 2- Gender		4-pin Micro-Fit receptacle	4-pin Micro-Fit plug	No
182110-00XX	CoreSync Extender, 2-Gender Panel Mount	18/4	4-pin Micro-Fit receptacle	4-pin Micro-Fit Plug Panel Mount	No
182110-4XXX	CoreSync Long-Run Cable		4-pin Micro-Fit receptacle	4-pin Micro-Fit receptacle	Yes
182110-5XXX	CoreSync Poke-In Extender		4-pin Micro-Fit receptacle	4-way Poke in	Yes
182110-6XXX	CoreSync Extender, 2- Gender		4-pin Micro-Fit receptacle	4-pin Micro-Fit plug	Yes

[www.molex.com/products/coresync/](http://www.molex.com/products/coresync/)

# CoreSync Advanced RGBW Indicator >

## TYPICAL APPLICATION



## DAISY-CHAINING

Each CoreSync Daisy-Chain device is powered and physically connected by the Molex CoreSync Gateway 90W with a rugged and reliable Molex CoreSync harness cable using a Molex Micro-Fit 4-pin connection. If the power requirement at the input of the Gateway is below 51W for UPoE and below 71.3W for 802.3bt 90W standard, a single Molex CoreSync Gateway 90W can power and control multiple devices in a Daisy-Chain configuration, with the easy-to-use input and output connector scheme.



\* Minimum Guaranteed Power for Gateway 1.0 is 51W and Gateway 2.0 is 71.3W. The total power budget on the Gateway must comply with the requirement.

[www.molex.com/products/coresync/](http://www.molex.com/products/coresync/)