

CoreSync Fixture Sensor, Highbay, White >

The CoreSync Fixture Sensor, Highbay enables fully network-connected sensing in a powered PoE fixture or mounted in a ceiling aperture. The Sensor also features two-way communication with control software, providing useful data for lighting automation and building management.

Featuring digital PIR for accurate occupancy detection, plus ambient light sensing for daylight harvesting applications, CoreSync Sensor C also provides accurate reporting on temperature and humidity levels. The slim, compact unit is easy to mount in a fixture knock-out or through a suitable ceiling aperture. Sensor C is rated for ceilings up to 39', providing valuable data on key conditions and states within a building.



FEATURES AND ADVANTAGES

PoE-network enabled	Uses Molex CoreSync POE infrastructure for communication and control
Digital PIR equipped	Provides highly accurate occupancy sensing
Ambient light sensing	Enables daylight harvesting and interaction with other room systems
Temperature and humidity sensing	Optimizes HVAC efficiency and occupant comfort and productivity
In-fixture mounting	Increases accuracy of local sensing and reporting
Individualized sensing	Optimizes energy savings; granular occupancy status

SPECIFICATIONS

Motion Sensing:	Digital Passive IR
Detection Distance:	12 m (39.3696 ft)
Detection Range (Horizontal x Vertical):	102° x 92°
Detection Zone:	92 Zones
Ambient Light Sensing:	0-94.8 FC (0-1020 Lux) Photo IC
Operating Temperature:	60°C (140°F) max
Power Source:	PoE
Standby Power:	< 1W
Enclosure:	ABS Plastic

Performance/Detection

Temperature Range:	0 to 60°C (32 to 140°F)
Temp Accuracy:	±0.3°C (0.54°F)
Humidity:	0 to 100% RH ±3%
Motion Sensing:	Digital Passive IR

Detection Distance:	5m (16.404 ft)
Detection Range (Horizontal x Vertical):	94° x 82°
Detection Zone:	64 Zones
Ambient Light Sensing:	0-94.8 FC (0-1020 Lux) Photo IC Type

Certifications

IEC 62386-101:2014
IEC 62386-103:2014

Connection

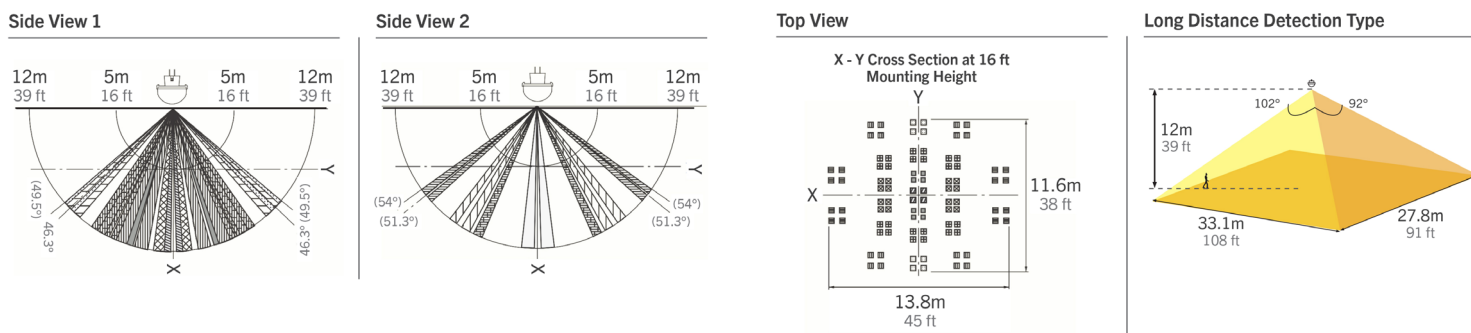
Molex CoreSync Bus Harness,
Micro-Fit type, 4-pin
(see ordering information)



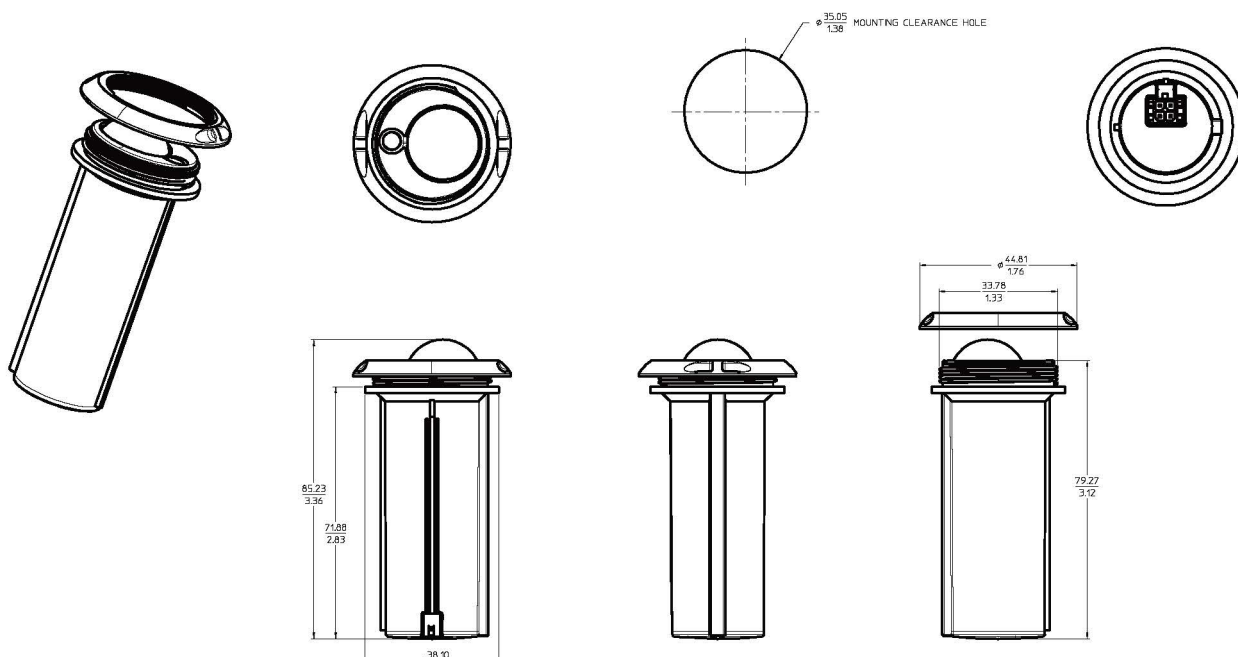
www.molexces.com/products/coresync/

CoreSync Fixture Sensor, Highbay, White >

DETECTION PERFORMANCE



DIMENSIONS



ORDERING INFORMATION

Description	Order No.
182090-1000	CoreSync Fixture Sensor, Highbay, White
180777-xxxx	Molex CoreSync Bus Harness, shrink tube wire cover
180778-xxxx	Molex CoreSync Bus Harness, overmolded wire/connector cover

www.molex.com/products/coresync/

Molex is a registered trademark of Molex, LLC in the United States of America and may be registered in other countries; all other trademarks listed herein belong to their respective owners. This information is correct at the time of publication, specifications are subject to change.

Order No. DS-1820901000

SK/2024.04

© 2024 Molex