

CoreSync Fixture Sensor, Standard >

The Molex CoreSync Fixture Sensor, Standard enables lighting manufacturers to deliver PoE fixtures that incorporate fully network-connected sensing.

Featuring digital PIR for accurate occupancy detection, plus ambient light, temperature and humidity sensing, the Fixture Sensor is easy to mount through a standard fixture knock-out. The compact, PoE-powered Sensor also offers two-way communication with Molex CoreSync control software, providing useful data for lighting automation and building management systems.



FEATURES AND ADVANTAGES

PoE-network enabled	Uses Molex PoE infrastructure for communication and control
Digital PIR equipped	Provides highly accurate occupancy sensing
Ambient light sensing	Enables daylight harvesting and interaction with other room systems
Temperature and humidity sensing	Optimizes HVAC efficiency and occupant comfort and productivity
In-fixture mounting	Increases accuracy of local sensing and reporting
Individualized sensing	Optimizes energy savings; granular occupancy status

SPECIFICATIONS

Motion Sensing	Digital Passive IR
Detection Distance	5m (16.404 ft)
Detection Range (Horizontal x Vertical)	94° x 82°
Detection Zone	64 Zones
Ambient Light Sensing	0-94.8 FC (0-1020 Lux) Photo IC Type
Operating Temperature	0° to +55°C
Power Source	PoE
Standby Power	< 1W
Enclosure	ABS Plastic

Detection Zone: 64 Zones
Ambient Light Sensing:
 0-94.8 FC (0-1020 Lux) Photo IC Type

Certifications

UL916
 CSA-C22.2 No. 205
 FCC
 CE, UKCA, BIS

Performance/Detection

Temperature Range: 0 to 60°C (32 to 140°F)
Temp Accuracy: ±0.3°C (0.54°F)
Humidity: 0 to 100% RH ±3%

Motion Sensing

Digital Passive IR Detection Distance 5m: (16.404 ft)
Detection Range (Horizontal x Vertical): 94° x 82°

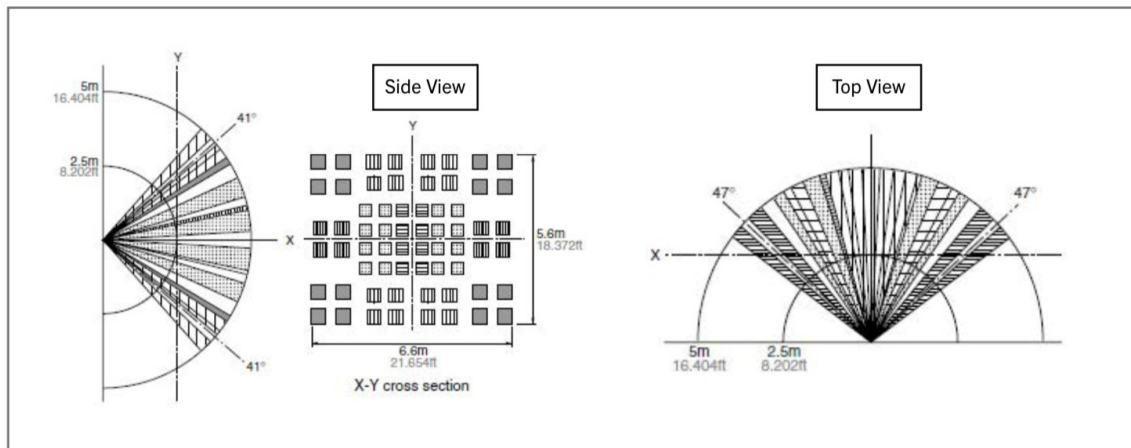
Connection

Molex CoreSync Bus Harness, Micro-Fit type, 4 pin
 (see ordering information)

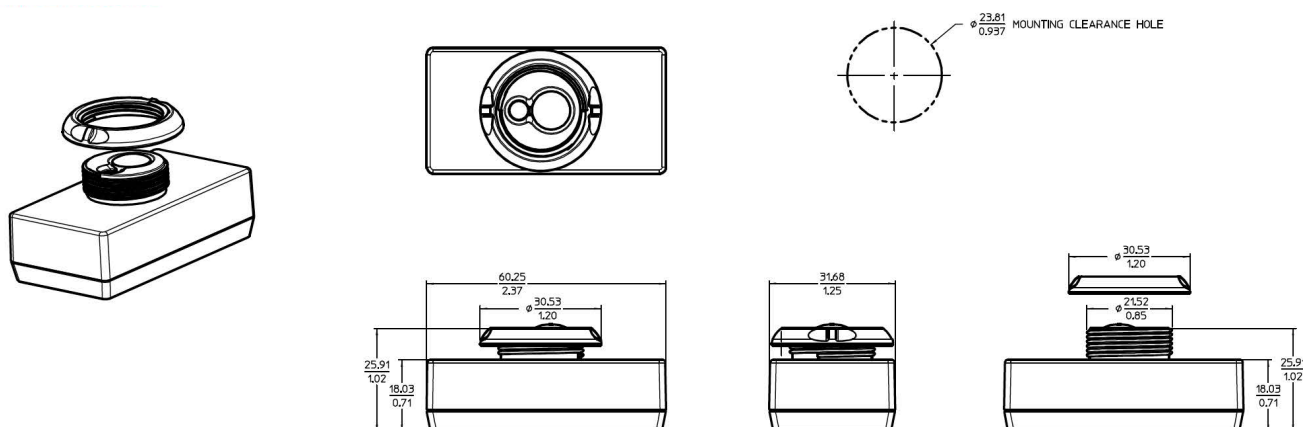
www.molex.com/products/coresync/

CoreSync Fixture Sensor, Standard >

DETECTION PERFORMANCE



DIMENSIONS



ORDERING INFORMATION

Description	Order No.
182091-1000	CoreSync Fixture Sensor, Standard

www.molex.com/products/coresync/

Molex is a registered trademark of Molex, LLC in the United States of America and may be registered in other countries; all other trademarks listed herein belong to their respective owners. This information is correct at the time of publication, specifications are subject to change.