

M12 SF/UTP D Code Category 5e Assembly >

Molex M12 D code assemblies are designed to withstand harsh-industrial and weather environments with superior quality that assures very reliable connections for control elements in automated equipment. These high-quality connectors allow fast and simple replacement of sensors, encoders, switches and other industry network input and output devices in industrial machinery.

The M12 assembly offers a sealed connection with superior EMI/RFI shielding in high-vibration environment.



FEATURES & ADVANTAGES

SF/UTP Cable with excellent EMC performance

Sealed connection to support harsh industrial environments

Prevents the coupler from loosening even under vibration

Compatible with Industry standard IEC 61076-2-101 interface

Category 5e performance up to 100MHz bandwidth

Male and female

D code with 4 poles to support industrial network

www.molex.com/products/copper/cat6a/

M12 SF/UTP D Code Category 5e Assembly

SPECIFICATIONS

Mechanical

Conductor: 7*0.20 mm stranded bare copper wire, 24AWG
Insulation: HDPE
OD: 1.10 ± 0.05 mm
Color: Pair 1: Orange, White/Orange
 Pair 2: Green, White/Green
Filler: Cotton rope
Overall screen: AL/Mylar tape
Tinned copper braiding coverage: ≥ 85 %
Out Sheath: PUR

Sheath Oil resistance:

IRM 902, 100°C x96h (UL 758)

Flame Rating: IEC 60332-1-2

Breaking Strength: 400 N/mm

Bend Radius (Installed): Min. 8 times outer cable dia.

Pulling Strength: Min 50 N

Voltage Rating: 250V

Out Sheath Color: Blue RAL5021

Thickness: approx 0.75 mm

OD: 6.40 ± 0.30 mm

Environmental

Work Temperature: -20°C to +80°C

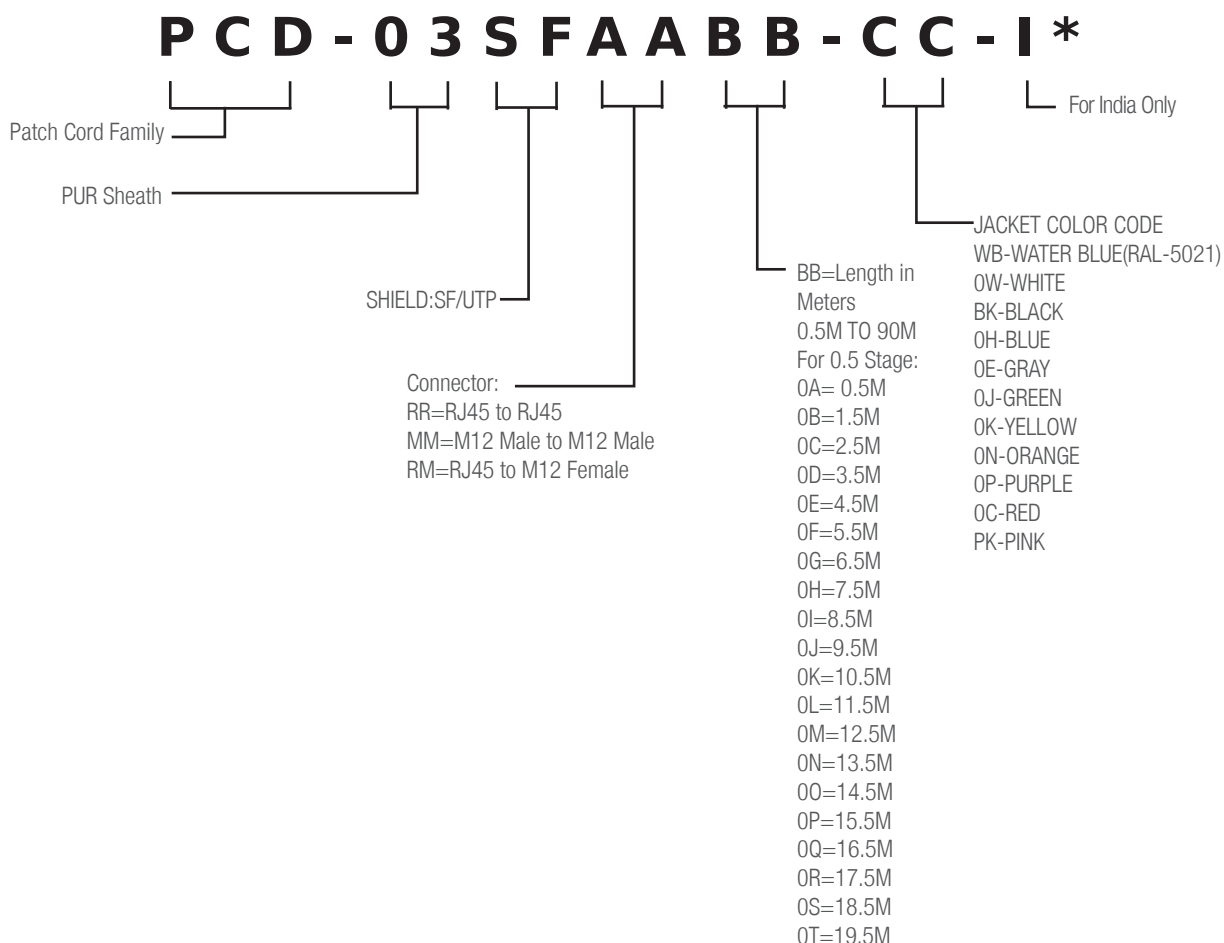
M12: IP65

RJ45: IP20

Commercial Standards

IEC 60332-1-2, IEC61076-2-101(M12), FCC 47 Part 68(RJ45), ISO/IEC 60603-7-3(RJ45) TIA-1005-A, ISO 11801 AMD1 EA

ORDERING INFORMATION



www.molex.com/products/copper/cat6a/