



Synergy Modular Furniture Outlets

Features and Benefits

Synergy is an industrially designed family of wallplates, surface blocks and modular furniture outlets with sleek rounded contours that offer an aesthetically pleasing style for even the most contemporary of high technology office atmospheres.

Synergy Modular Furniture Outlets provide adaptability to modular office furniture. The 3-Port configuration meets TIA 569A Cutout Size criteria whereas the 4-Port configuration meets NEMA Cutout Size criteria. The outlets come equipped with icons for port identification and a labeling area with clear cover for location designation.

- Utilize DataGate Plus Jacks and single-position fiber and copper modules
- Contemporary styling
- Rear loading modules to reduce tampering
- Snapz port icons
- Concise labeling
- Hinged screw caps prevent misplacement

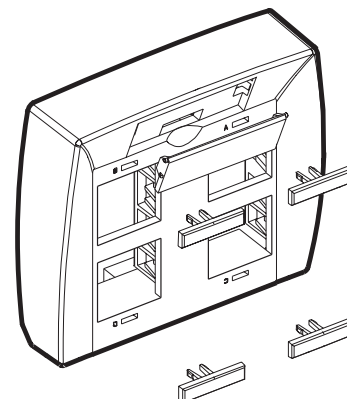
Approvals UL 1863

Material Thermoplastic UL94V-0

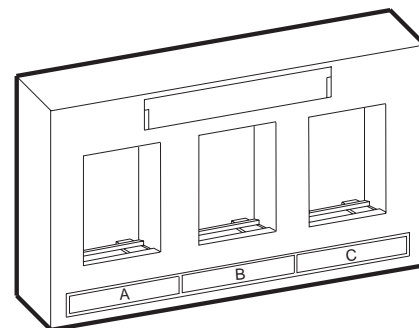
Reference Information

Parts List

- Modular Furniture Outlet
- Clear Label Holder
- Write-On Label Sheet
- 2 Mounting Screws
- Snapz Telcom Icon Tree
- Assembly Instructions



4 Port Modular Furniture Outlet / NEMA
 Dimensions: 66.7mm x 84mm x 15.75mm
 (2.62”H x 3.3”W x .62”D)
 Shipping Weight: XXg (XX oz.)



3 Port Modular Furniture Outlet
 Dimensions: 47mm x 78mm x 10.2mm
 (1.85”H x 3.13”W x .40”D)
 Shipping Weight: 21.28g (.76 oz.)

ORDERING INFORMATION

Order No.	Description
SSY-0001-**	4 Port Modular Furniture Outlet / NEMA Cutout Size minimum 2.812” x 1.750”
SSY-0005-**	3 Port Modular Furniture Outlet / TIA 569A Cutout Size 1.345–1.405” x 2.630–2.850”
Accessories	
CSP-0025-**	Snapz Telcom Icon Tree (Bag of 10)
CSP-0026-**	Snapz Alpha Icon Tree (Bag of 10)
CSP-0013	Clear Label Holder (Bag of 25)

Modular Furniture Outlet Color Options: Insert color code in place of ** in part number when ordering.
 01 = Almond, 02 = White, 04 = Black, 05 = Ivory

Accessories Color Options: Insert color code in place of ** in part number when ordering.
 01 = Almond, 02 = White

MOLEX PREMISE NETWORKS

Molex Premise Networks
 Corporate Headquarters
 New Hampshire, USA
 Tel: 1 603 324 0200
 www.molexpn.com

European Headquarters
 Hampshire, England
 Tel: 44 (0) 1489 527111
 www.molexpn.co.uk

Pac Rim Headquarters
 Victoria, Australia
 Tel: 61 3 9971 7111
 www.molexpn.com.au