

# Synergy Copper Surface Blocks



The Synergy product line is an industrially designed family of wallplates, surface blocks and modular furniture outlets with sleek rounded contours that offer an aesthetically pleasing style for even the most contemporary office atmospheres.

Synergy Copper Surface Blocks are ideal for use in a confined space. Surface Blocks provide the option of either side or base entry of cables with internal cable management and are mounted using screws. Location designation is clearly visible from the top of these surface blocks with label and clear cover. The 6 port Synergy Block comes with rigid metal plate which allows for use as consolidation point enclosure.

## Features and Advantages

Utilize DataGate C5e UTP, Cat 6 UTP, Cat 6A shielded copper jacks and single-position copper modules

Contemporary styling

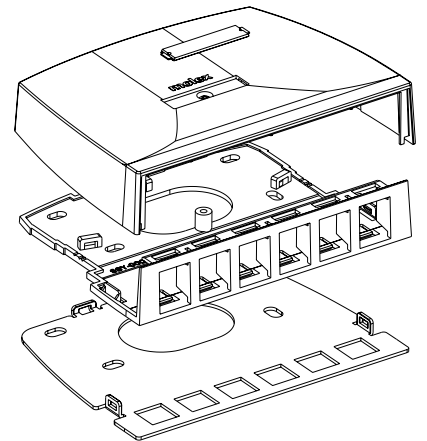
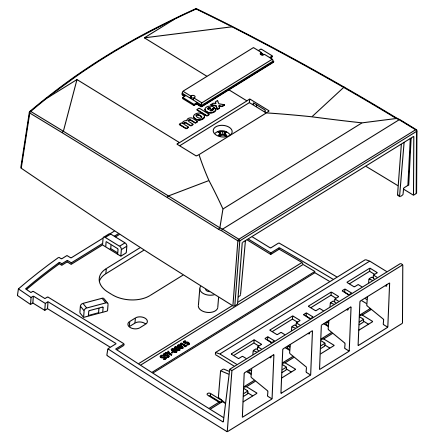
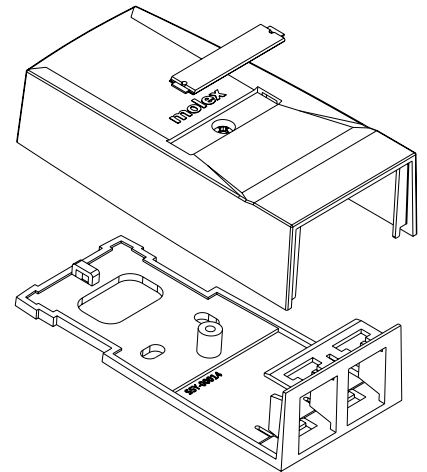
Rear loading modules to reduce tampering

Slotted screw holes for easy alignment and removal

Concise labeling

Clear label covers to prevent misplacement

MIIM terminator cap compatible



## Specifications

### MECHANICAL

Material:  
Surface Block: Thermoplastic UL94V-0  
6 Port CP Plate: Zinc plated cold rolled steel

### PHYSICAL

Dimensions:  
2 Port: 29.5mm x 56.7mm x 114.3mm  
4 Port: 29.5mm x 100.6mm x 114.3mm  
6 Port: 29.5mm x 148.6mm x 114.3mm

### COMMERCIAL STANDARDS

Pending Approvals  
UL 1863

### PARTS LIST

- Surface Block
- Clear label holder
- Write-on label sheet
- Mounting screws
- Assembly instructions

## Ordering Information

Order No.	SAP No.	Description
SSY-00014-**	Contact Molex	Synergy Copper Surface Block, 2 Port
SSY-00015-**	Contact Molex	Synergy Copper Surface Block, 4 Port
SSY-00016-**	Contact Molex	Synergy Copper Surface Block, 6 Port

Insert color code in place of \*\*in part number when ordering. 01 = Almond, 02 = White, 05 = Ivory

[www.molexces.com](http://www.molexces.com)

Molex is a registered trademark of Molex, LLC in the United States of America and may be registered in other countries; all other trademarks listed herein belong to their respective owners. This information is correct at the time of publication, specifications are subject to change.