



USO II Uni-Fit Modular Furniture Outlet

Features and Benefits

The USO II multimedia outlet system is a comprehensive group of modular products which can be easily configured and reconfigured from the front. For maximum versatility, USO II outlets have a three-part design: bezel, fascia and jacks.

USO II modules make it easy to customize outlets for any UTP or fiber application. Modules can be purchased either preconfigured or can be built by purchasing either 1U 1 Port or 1U 2 Port fascia and inserting Single Position Modules, including DataGate Plus Jacks.

The USO II Uni-Fit modular furniture outlet features adjustable latches that accommodate most standard and non-standard modular furniture openings—providing flexibility for hard-to-fit openings. Simply attach the base plate onto the furniture and adjust latches to the opening, slip on the cover, and snap in a USO II module. Each Uni-Fit accommodates up to four voice or data channels (two modules).

- Utilizes USO II modules
- Customize outlets for any situation
- Easily configured / reconfigured from the front
- Utilize Snapz Port Icons
- Concise labeling
- Accommodates DataGate Plus Jacks

Approvals UL 1863

Material Thermoplastic UL94V-0

Reference Information

Parts List

- Uni-Fit Cover and Base
- Adjustable Latches
- Snapz Alpha Icon Tree
- Molex Screw Cap Cover
- Adhesive Write-On Label
- Mounting Screws
- Assembly Instructions

Uni-Fit works with openings measuring:

- A minimum of:
33.274mm x 62.738mm (1.31"H x 2.47"W)
- A maximum of:
59.69mm x 86.614mm (2.35"H x 3.41"W)
- Panel thickness of:
0.635mm–3.048mm (.025" – .120")

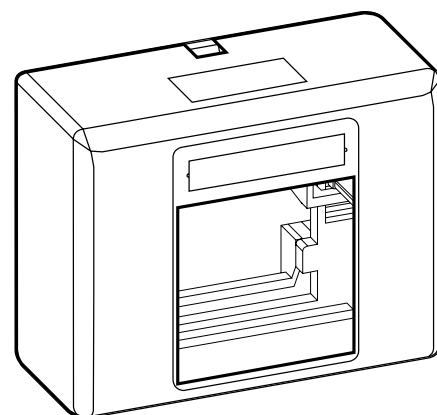
Uni-Fit

Composed of either two part numbers:

- 1 Uni-Fit
- 1 USO II 2U Module (purchased separately)

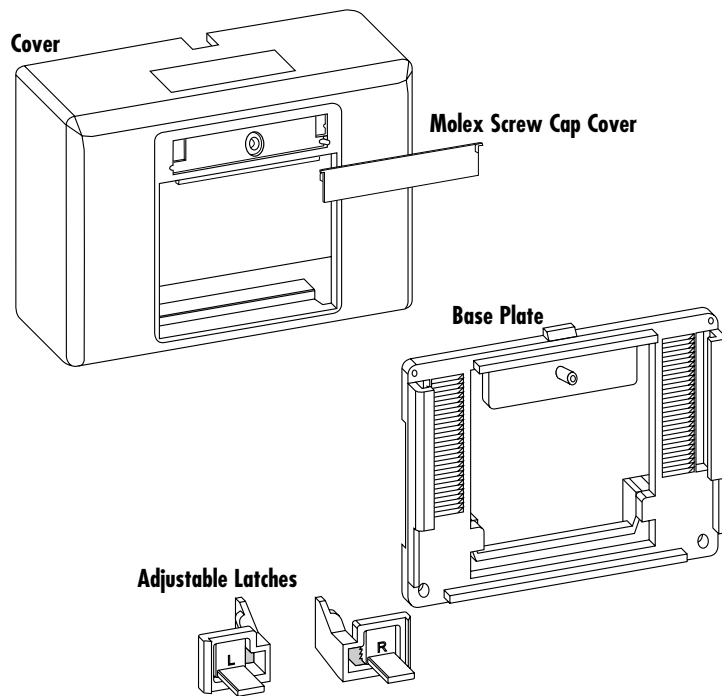
OR three part numbers:

- 1 Uni-Fit
- 2 USO II 1U Modules (purchased separately)



USO II Uni-Fit
Dimensions: 79mm x 103mm x 13mm
(3.125"H x 4.06"W x 1.06"D)
Shipping Weight: 71g (2.5 oz.)

Display of USO II Uni-Fit Components



ORDERING INFORMATION

| Order No. | Description |
|--------------|----------------|
| SUS-00001-** | USO II Uni-Fit |

USO II Color Options: Insert color code in place of ** in part number when ordering.
01 = Almond, 02 = White, 04 = Black

MOLEX PREMISE NETWORKS

Molex Premise Networks
Corporate Headquarters
New Hampshire, USA
Tel: 1 603 324 0200
www.molexpn.com

European Headquarters
Hampshire, England
Tel: 44 (0) 1489 527111
www.molexpn.co.uk

Pac Rim Headquarters
Victoria, Australia
Tel: 61 3 9971 7111
www.molexpn.com.au