



**Features and Benefits**

The USO II multimedia outlet system is a comprehensive group of modular products which can be easily configured and reconfigured from the front. For maximum versatility, USO II outlets have a three-part design: bezel, fascia and jacks.

USO II modules make it easy to customize outlets for any UTP or fiber application. Modules can be purchased either preconfigured or can be built by purchasing either 1U 1 Port or 1U 2 Port fascia and inserting Single Position Modules, including DataGate Plus Jacks.

Surface Blocks are ideal for use where a surface mount is needed in a confined space. Surface Blocks provide the option of either side or base entry of cables and may be mounted using screws or a magnet kit (sold separately). Snapz icons clearly identify ports alongside the modules.

- Utilize USO II modules
- Customize outlets for any situation
- Easily configured / reconfigured from the front
- Utilize Snapz Port Icons
- Concise labeling
- Accommodate DataGate Jacks

**Approvals** UL 1863

**Material** Thermoplastic UL94V-0

**Reference Information**

Parts List

- USO II Surface Block
- Snapz Alpha Icon Tree
- Mounting Screws
- Assembly Instructions

**1U Surface Block**

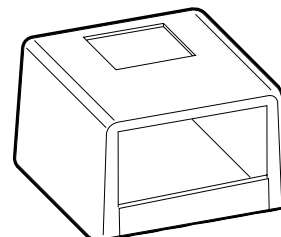
Composed of two part numbers:

- 1 USO II 1U Surface Block
- 1 USO II 1U Module (purchased separately)

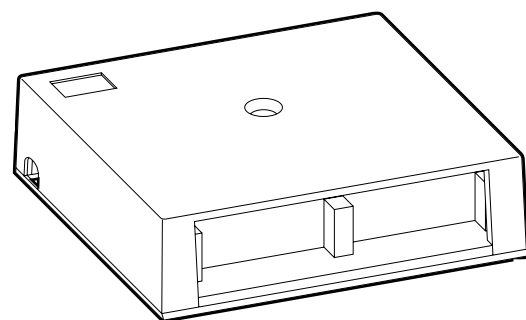
**2 1U Surface Block**

Composed of three part numbers:

- 1 USO II 2 1U Block
- 2 USO II 1U Modules (purchased separately)



**USO II 1U Surface Block**  
 Dimensions: 35mm x 64mm x 50mm  
 (1.375"H x 2.5"W x 2.0"D)  
 Shipping Weight: 56.7g (2.0 oz.)



**USO II 2 1U Surface Block**  
 Dimensions: 124mm x 32mm x 71mm  
 (4.9"W x 1.27"H x 2.8"D)  
 Shipping Weight: 84g (3.0 oz.)

**ORDERING INFORMATION**

Order No.	Description
SUS-00002-**	USO II 1U Surface Block
SUS-00003-**	USO II 2 1U Surface Block
35-701	Magnet Kit for SUS-00003-**

Surface Block Color Options: Insert color code in place of \*\* in part number when ordering.  
 01 = Almond, 02 = White

**MOLEX PREMISE NETWORKS**

Molex Premise Networks  
 Corporate Headquarters  
 New Hampshire, USA  
 Tel: 1 603 324 0200  
 www.molexpn.com

European Headquarters  
 Hampshire, England  
 Tel: 44 (0) 1489 527111  
 www.molexpn.co.uk

Pac Rim Headquarters  
 Victoria, Australia  
 Tel: 61 3 9971 7111  
 www.molexpn.com.au