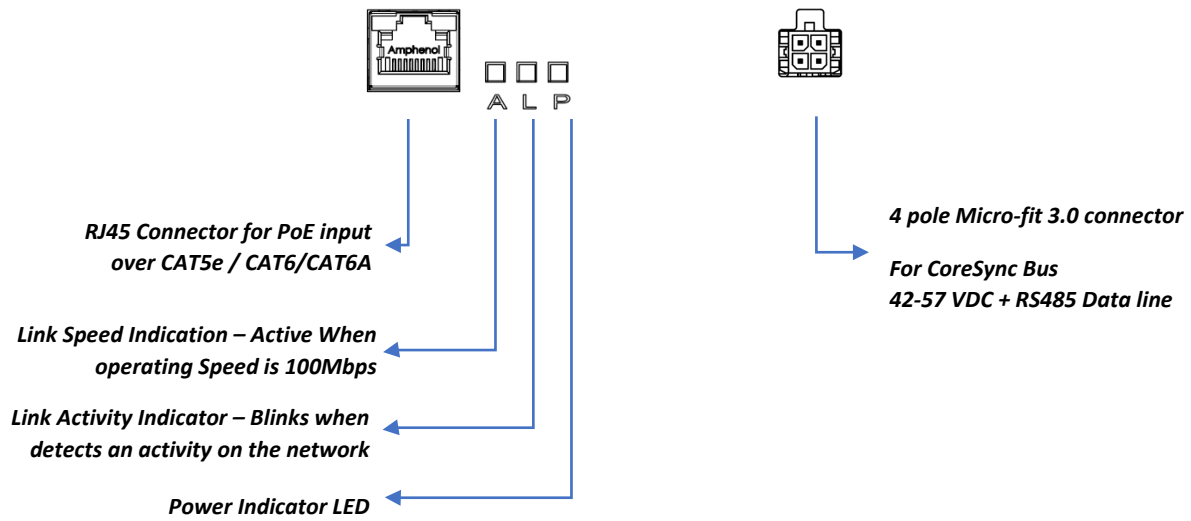
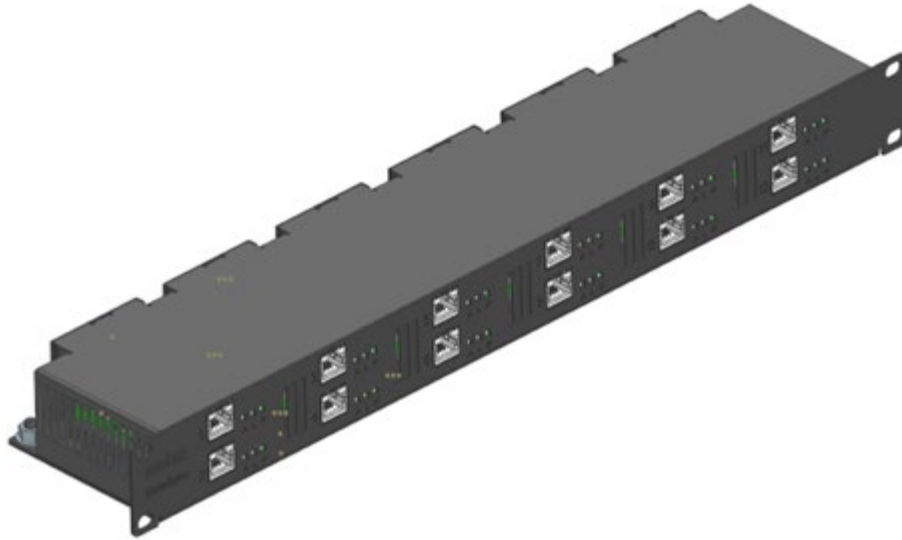


INSTALLATION INSTRUCTIONS



Order No.	Description
1808282000	CoreSync Multigate, 90W

IMPORTANT SAFETY INSTRUCTIONS. SAVE THESE INSTRUCTIONS

1. CAUTION AND WARNING

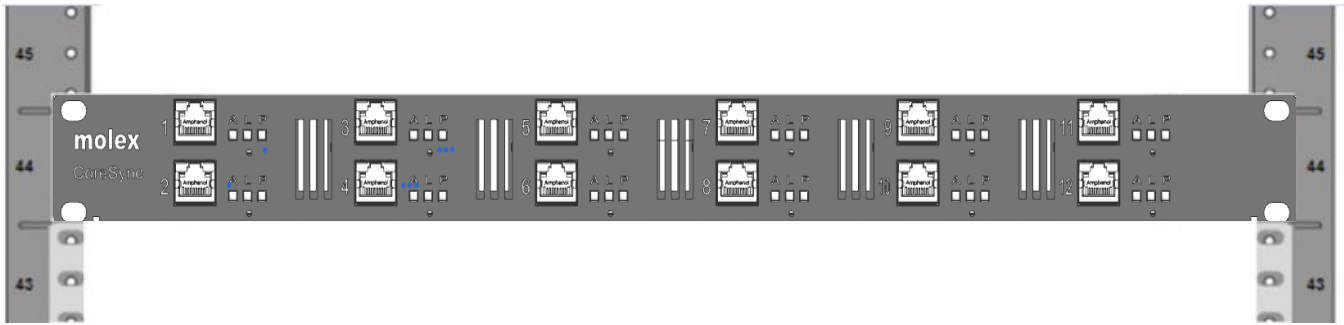
- **CAUTION** – Observe precautions for handling electrostatic sensitive devices.
- **WARRANTY** – Voided if device has been modified from its original configuration or in the event of hot plug/hot swap.
- **WARNING** – Risk of Electric Shock. Do not handle energized module with wet hands or when standing on wet or damp surfaces.
- Input: PoE voltage range of 42-57V.
- Use only with Class 2 Power Unit – 60VDC Max.
- Do not use outdoors.
- Suitable for damp locations.
- Conforms to UL2108 & CSA22.2 No. 250. For CSA, device is intended to be installed in a restricted access area.
- This device complies with part 15 of the FCC Rules. Operation is subject to the following two conditions: (1) This device may not cause harmful interference, and (2) this device must accept any interference received, including interference that may cause undesired operation.
- Maximum temperature is 25°C ambient.
- Must be installed in a climate-controlled room and rack must have active ventilation.
- DO NOT block air vents on Multigate.
- DO NOT hot swap.

**MULTIGATE MUST BE INSTALLED BY A CORESYNC CERTIFIED TECHNICIAN OR QUALIFIED ELECTRICIAN
(CHECK WITH LOCAL AND NATIONAL CODES FOR PROPER INSTALLATION)**

INSTALLATION INSTRUCTIONS

2. Procedures

Step 1. Only to be installed with the standard 1U rack.



Step 2. Required Hardware: 4 x Individual cage nuts and screws (not included)



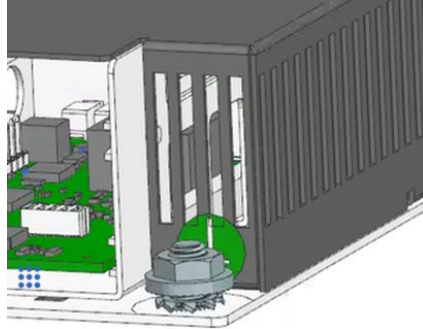
Step 3. Use appropriate cage nuts and screws suitable for the network/server rack

Step 4. Mount the Unit into the rack with the help of screws

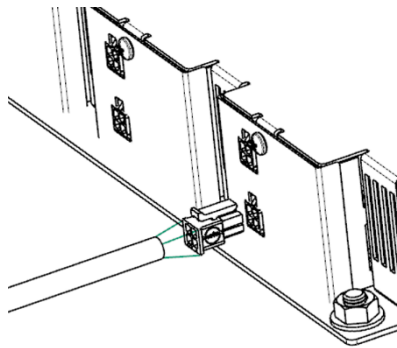


INSTALLATION INSTRUCTIONS

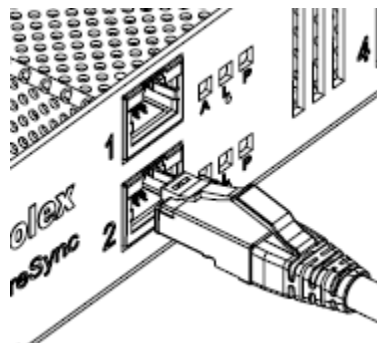
Step 5. Ground the MultiGate by connecting a wire between the grounding screw and chassis of the rack.



Step 6. Snap in the wire harness male connector from CoreSync 4R-4R harness into the panel mount 4-pin plug connector as shown



Step 7. On the front side of the unit, connect PoE CAT cable until you hear a “CLICK”. Use a UTP (Unshielded Twisted Pair) CAT5E or CAT6 Cable.



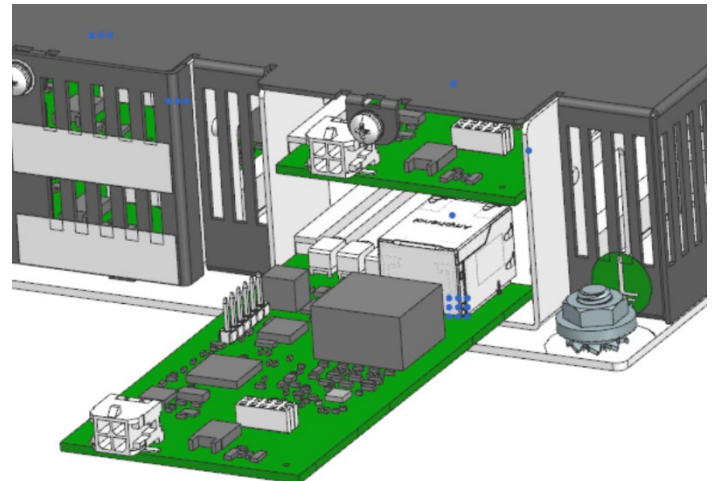
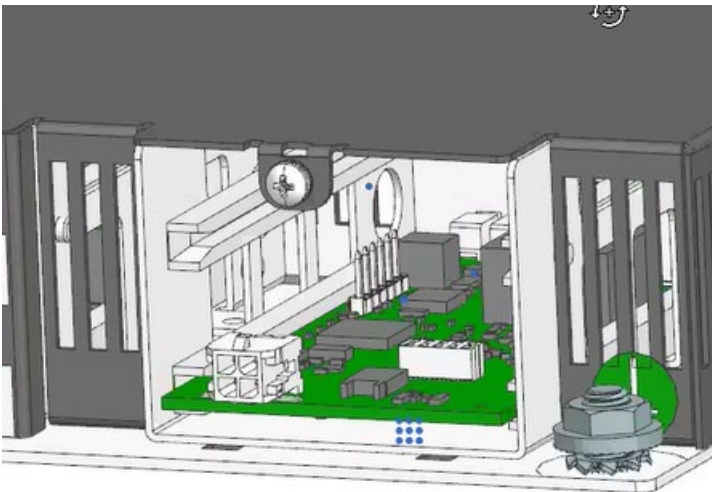
INSTALLATION INSTRUCTIONS

Step 7. Please Note that the Power LED indicator will turn on once you have the power. The Link and Active indicator will blink on and off rapidly once you have the network connection.



3. REPLACING INDIVIDUAL GATEWAYS:

The If an individual Gateway has been identified as damaged and must be replaced, easily remove the PCB cover on the back of the Multigate. Gateways are mounted on a track and can be slid out to remove. Replace with a new functional Gateway and reinstall the PCB cover.



4. CALCULATING MAX CONNECTED DEVICES PER PORT:

The IEEE 802.3bt standard guarantees at least 71.3W at the input of the Gateway. Using this number and the max power consumption of 3.5W for this gateway, provides 67.8W of connected devices. Please use individual data sheets of the connected devices in tandem with the CoreSync Harness Length Calculator to determine the maximum power consumption. For further details please refer to the CoreSync Academy Module “Device Layout & Design Overview”.

- LEGAL DISCLAIMER -

The author has made every attempt to ensure the accuracy and reliability of the information provided in this document. However, the information is provided "as is" without warranty of any kind. Molex does not accept any responsibility or liability for the accuracy, content, completeness, legality, or reliability of the information contained in this document.

This document is provided to you solely for your own personal use and may not be used for resale, distribution, public display or performance or other similar uses by you. The materials in this document as well as its photographs, images, layout, organization and design are copyrighted and are protected by worldwide copyright laws and treaty provisions. Trademarks, logos and service marks displayed on this site are registered and unregistered trademarks of Molex, its licensors or content providers, or other third parties. All of these materials, trademarks, logos and service marks are the property of their respective owners.

Molex Connected Enterprise Solutions 



Molex is a registered trademark of Molex, LLC in the United States of America and may be registered in other countries; all other trademarks listed herein belong to their respective owners