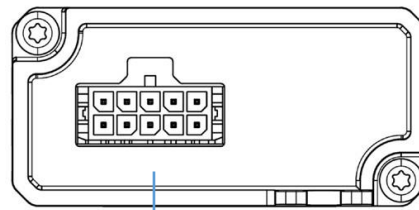
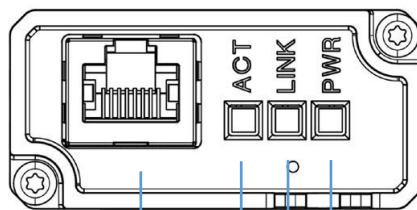


INSTALLATION INSTRUCTIONS



10-pin Micro-Fit 3.0 Connector
for CoreSync Bus
42-57 VDC + RS485 Data line

RJ45 Connector for PoE input over
CAT5e (PoE rated)/CAT6/CAT6A

Link Speed Indication – Active when
operating speed is 100Mbps

Link Activity Indicator – Blinks when
detecting activity on the network

Power Indicator LED

Order No.	Description
1809930001	CoreSync Gateway 60W UPOE, Silver Metal
1809930101	CoreSync Gateway 60W UPOE, Black Metal
1809900001	CoreSync Gateway 60W UPOE, White Plastic
1809900101	CoreSync Gateway 60W UPOE, Black Plastic

Molex is a registered trademark of Molex, LLC in the United States of America and may be registered in other countries; all other trademarks listed herein belong to their respective owners

INSTALLATION INSTRUCTIONS

1. CAUTION AND WARNING:

- Read and follow all safety instructions.
- Observe precautions for handling electrostatic sensitive Gateways.
- Risk of electric shock. Do not handle an energized Gateway with wet hands or when standing on wet or damp surfaces.
- Warranty voided if Gateway has been modified from its original configuration.
- Do not use outdoors.
- Use only with Class 2 Power Unit – 60VDC maximum.
- Suitable for damp locations.
- Gateway has internal over-temperature protection, but do **NOT** hot swap. Always de-energize the Gateway before plugging or unplugging the 10-pin Micro-Fit 3.0 connector from the Gateway's output.
- Maximum ambient temperature of 40°C.
- Installation location is recommended to be accessible for future troubleshooting.
- This product should only be serviced by a CoreSync Certified Technician.
- UL 2108 listed, Certified to CAN/CSA standard C22.2 No. 250.13, Plenum rated (metal enclosure only).

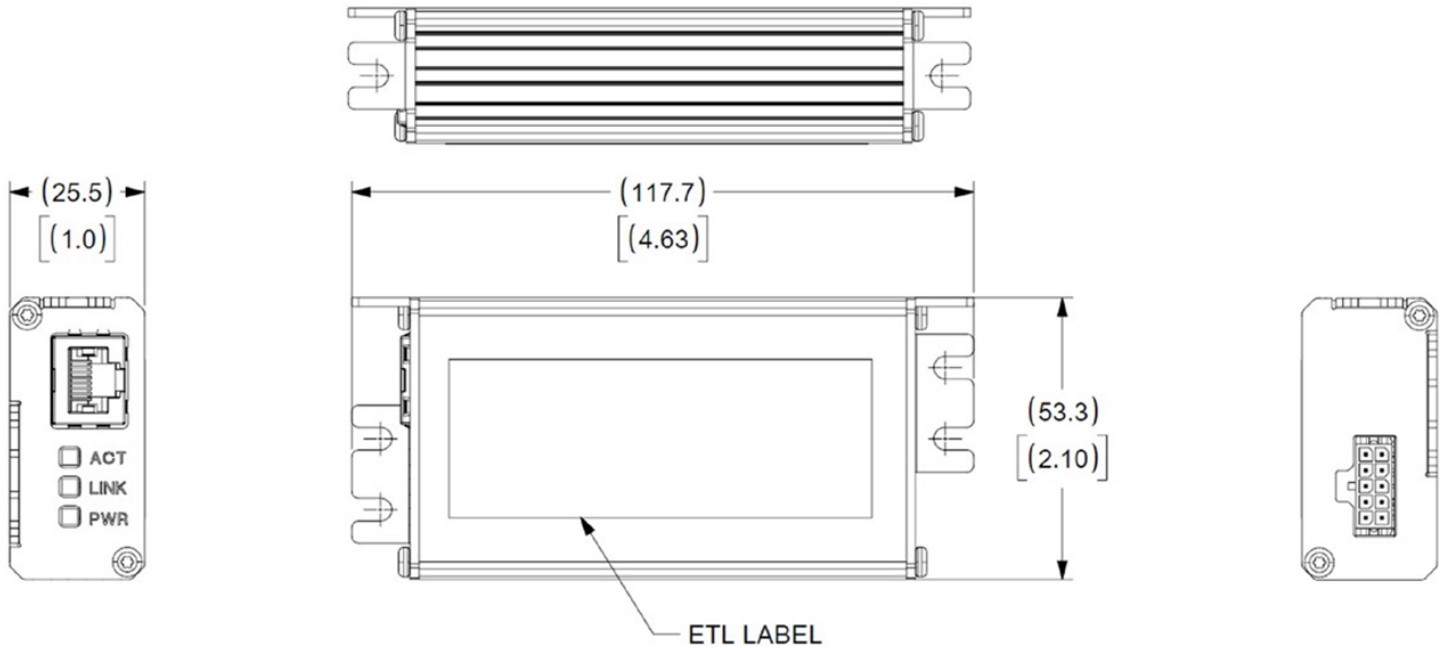
**GATEWAY MUST BE INSTALLED BY A CORESYNC CERTIFIED TECHNICIAN AND QUALIFIED ELECTRICIAN
(CHECK WITH LOCAL AND NATIONAL CODES FOR PROPER INSTALLATION)**

INSTALLATION INSTRUCTIONS

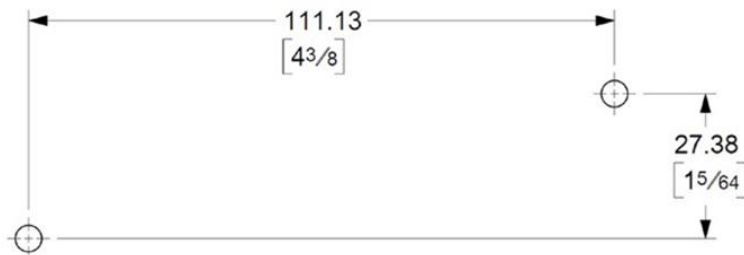
2. PROCEDURES:

Step 1: Refer to the dimensions and mounting patterns below to mount the metal 60W UPOE Gateway.

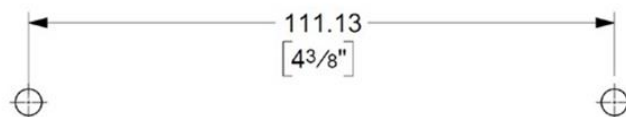
Dimensions for CoreSync 60W UPOE Metal Gateways:



Mounting pattern for CoreSync 60W UPOE Metal Gateways:



MOUNTING HOLE LOCATION, OFFSET MOUNTING HOLES FOR A #8-32 SELF TAPPING SCREW



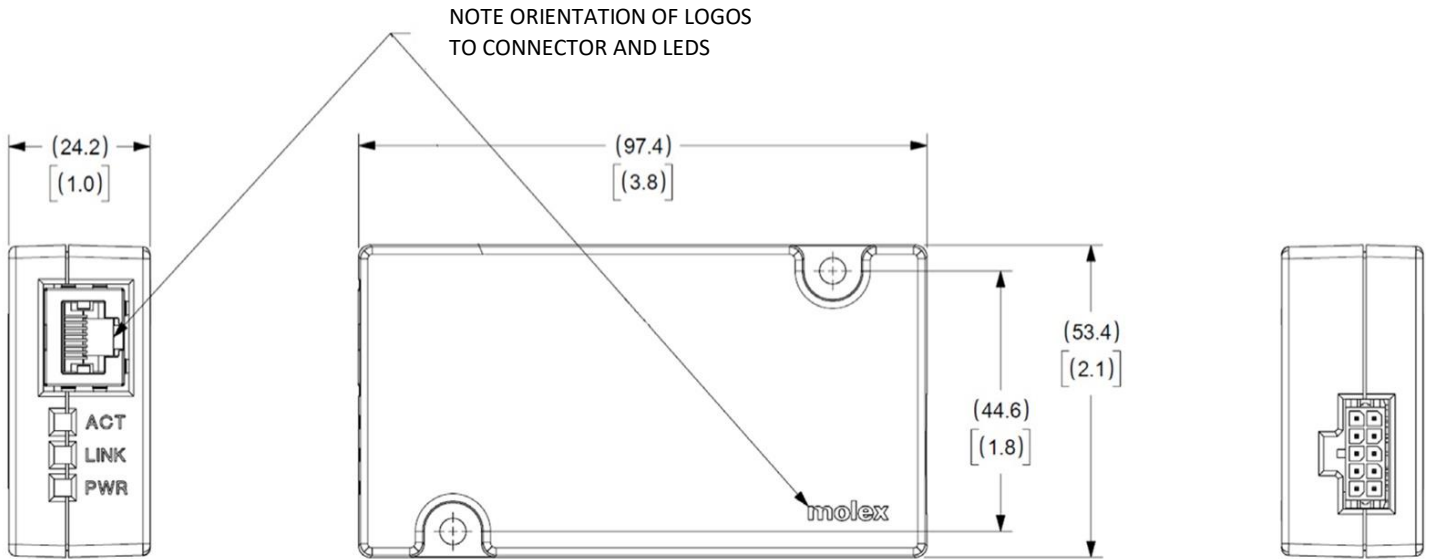
MOUNTING HOLE LOCATION, VERTICAL/CENTER MOUNTING

Molex is a registered trademark of Molex, LLC in the United States of America and may be registered in other countries; all other trademarks listed herein belong to their respective owners

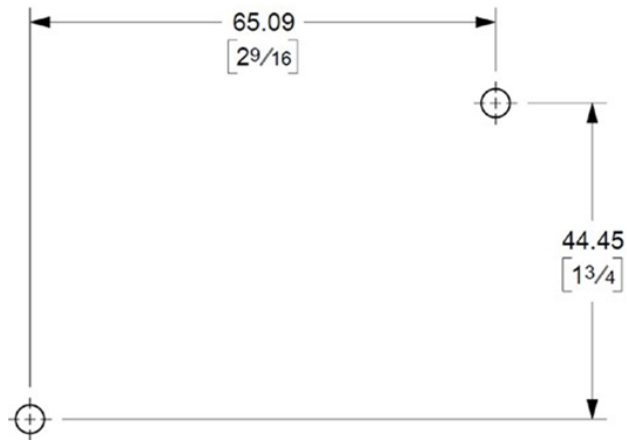
INSTALLATION INSTRUCTIONS

Step 2. Refer to the dimensions and mounting patterns below to mount the plastic 60W UPOE Gateway.

Dimensions for CoreSync 60W UPOE Plastic Gateways:



Mounting pattern for CoreSync 60W UPOE Plastic Gateways:

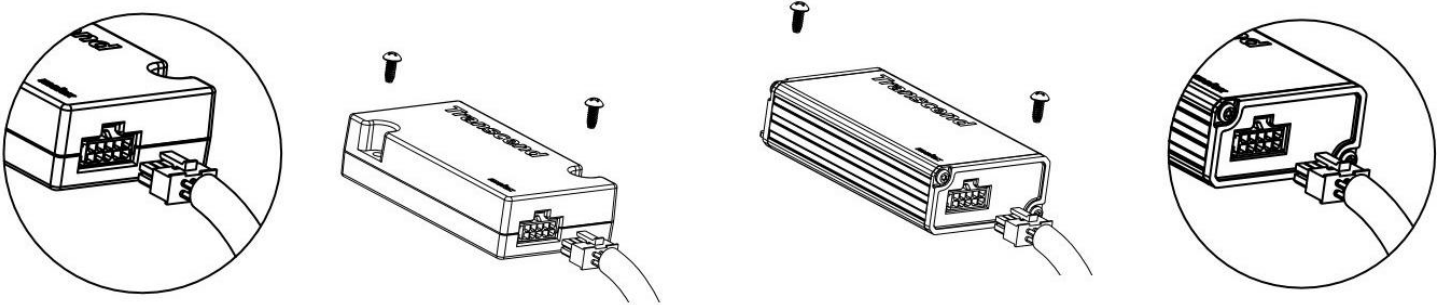


MOUNTING HOLE LOCATION
HOLES FOR A #8-32 SELF TAPPING SCREW

Molex is a registered trademark of Molex, LLC in the United States of America and may be registered in other countries; all other trademarks listed herein belong to their respective owners

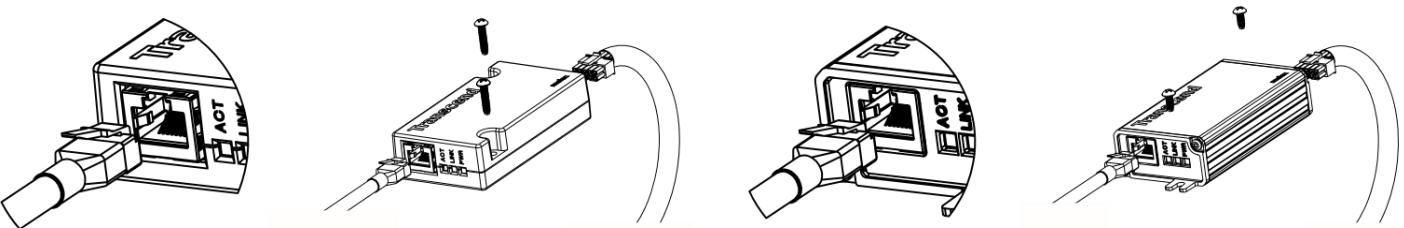
INSTALLATION INSTRUCTIONS

Step 3. Snap in the wire harness male connector into the female connector as shown below:



Step 4. Use two #8 self-tapping screws to mount the PoE Gateway as shown (*screws not provided*).

Step 5. On the front top side of the PoE Gateway connect the PoE CAT cable until you hear a “CLICK”. Use a UTP (unshielded twisted pair) CAT5E (PoE rated), CAT6, or CAT6A cable*. The maximum length of cable should not exceed 100 meters. 90 meters or less is recommended. Refer to the CoreSync Harness Length Calculator if necessary.



**Please note the Power LED indicator will turn on once you have power. The LINK and ACTIVE indicators will blink on and off rapidly once you have network connection.*

3. Calculating Max Connected Devices

The Cisco UPOE standard delivers up to 60W at the input of the Gateway. Using this number and the max power consumption of 2.5W for this Gateway, provides 57.5W of connected devices. Please use individual data sheets of the connected devices in tandem with the CoreSync Harness Length Calculator to determine the maximum power consumption. Typical design calls for 51W at the input of the Gateway to account for cable losses, providing 48.5W of connected devices. For further details please refer to the CoreSync Academy Module “Device Layout & Design Overview”.

- LEGAL DISCLAIMER -

The author has made every attempt to ensure the accuracy and reliability of the information provided in this document. However, the information is provided "as is" without warranty of any kind. Molex does not accept any responsibility or liability for the accuracy, content, completeness, legality, or reliability of the information contained in this document.

This document is provided to you solely for your own personal use and may not be used for resale, distribution, public display or performance or other similar uses by you. The materials in this document as well as its photographs, images, layout, organization and design are copyrighted and are protected by worldwide copyright laws and treaty provisions. Trademarks, logos and service marks displayed on this site are registered and unregistered trademarks of Molex, its licensors or content providers, or other third parties. All of these materials, trademarks, logos and service marks are the property of their respective owners.

Molex Connected Enterprise Solutions 



Molex is a registered trademark of Molex, LLC in the United States of America and may be registered in other countries; all other trademarks listed herein belong to their respective owners