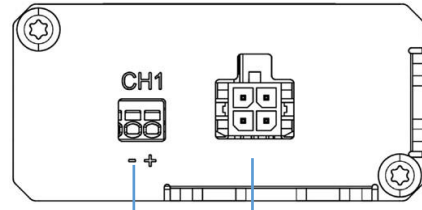
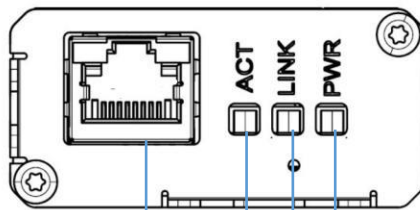
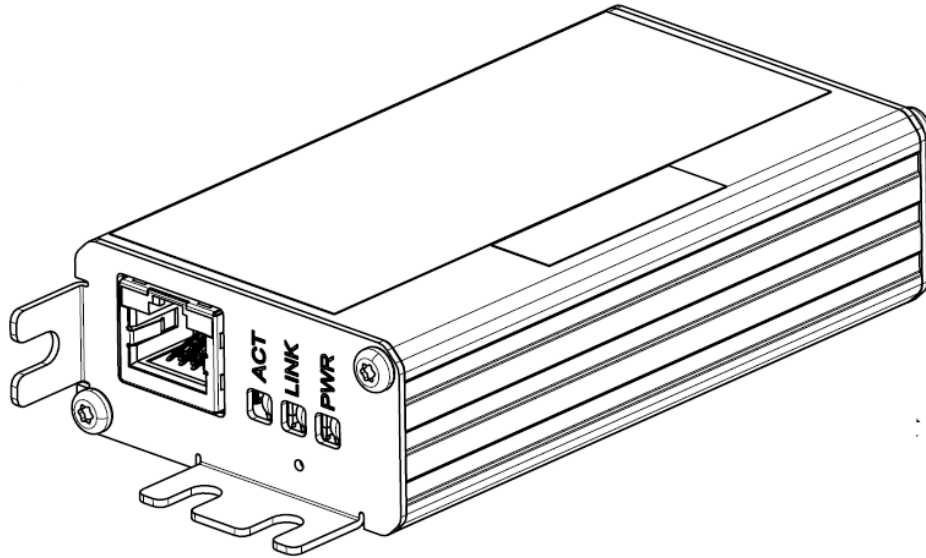


INSTALLATION INSTRUCTION FOR CORESYNC GATEWAY 60W UPOE, 1XCV, 24V



RJ45 Connector for PoE input over CAT5e (PoE rated)/CAT6/CAT6A

Link Speed Indication – Active when operating speed is 100Mbps

Link Activity Indicator – Blinks when detecting activity on the network

Power Indicator LED

4-pin Micro-Fit 3.0 Connector for CoreSync Bus
42-57 VDC + RS485 Data line

Poke-In connection for constant voltage LED fixtures
24V up to 1.8A (43.2W)

Order No.	Description
1809932012	CORESYNC GATEWAY 60W UPOE, 1XCV, 24V

ENGINEERING RECORD NO : 717909	SAP NO : 187000577	Doc No: 187000577	Doc part: AS	REV- A
http://www.molex.com				

1. CAUTION AND WARNING:

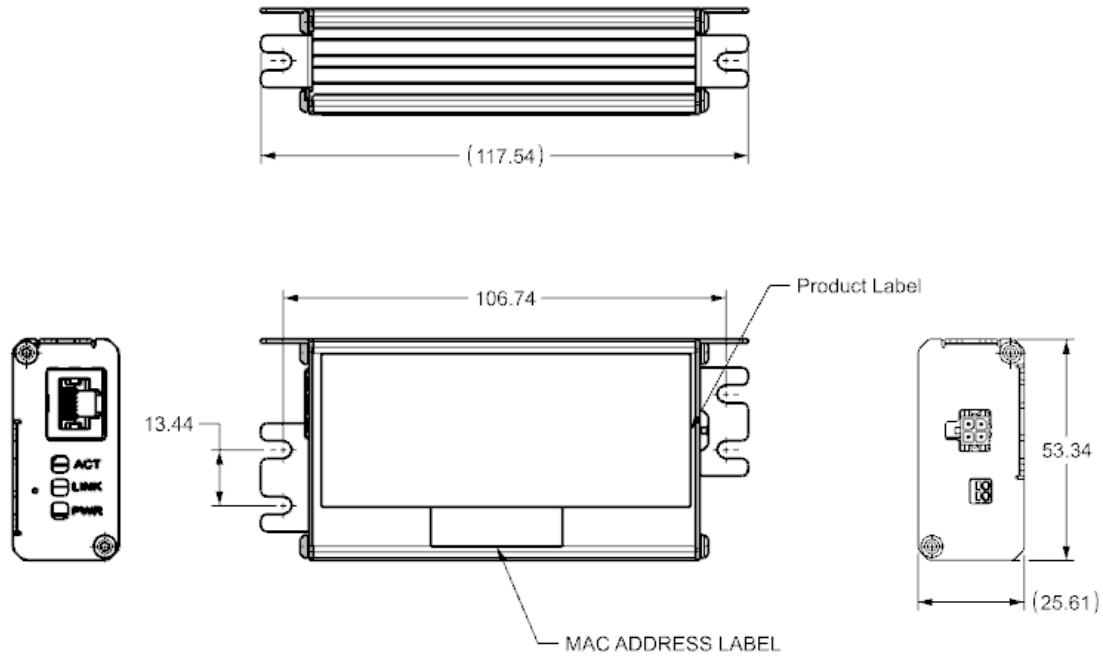
- Read and follow all safety instructions.
- Observe precautions for handling electrostatic sensitive Gateways.
- Risk of electric shock, injury, and fire. Do not handle an energized Gateway with wet hands or when standing on wet or damp surfaces.
- Warranty voided if Gateway has been modified from its original configuration or in the event of a hot plug.
- Do not use outdoors.
- Use only with Class 2 Power Unit – 60VDC maximum.
- Suitable for damp locations.
- Gateway has internal over-temperature protection, but do NOT hot swap. Always de-energize the Gateway before plugging or unplugging the 4-pin Micro-Fit 3.0 connector from the Gateway's output.
- Maximum ambient temperature of 40°C.
- Installation location is recommended to be accessible for future troubleshooting.
- This product should only be serviced by a CoreSync Certified Technician.
- UL 1310 listed, Certified to CSA standard C22.2 No. 223. For CSA, device is intended to be installed in a restricted access area. Plenum rated.

**GATEWAY MUST BE INSTALLED BY A CORESYNC CERTIFIED TECHNICIAN OR QUALIFIED ELECTRICIAN
(CHECK WITH LOCAL AND NATIONAL CODES FOR PROPER INSTALLATION)**

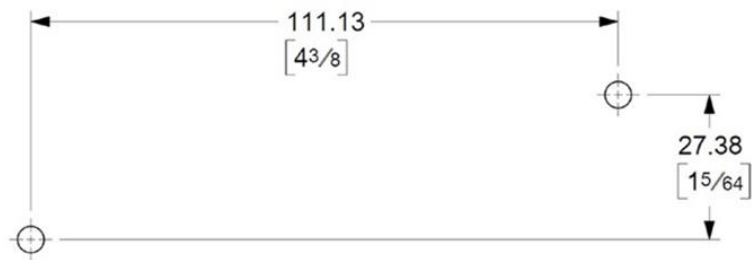
2. PROCEDURES:

Step 1: Refer to the dimensions and mounting patterns below.

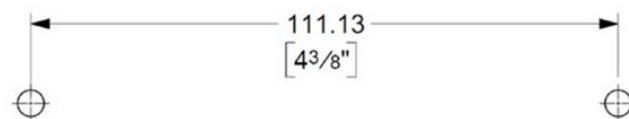
Dimensions for CoreSync CORESYNC GATEWAY 60W UPOE, 1XCV, 24V



Mounting pattern for CoreSync 60W UPOE Metal Gateways:

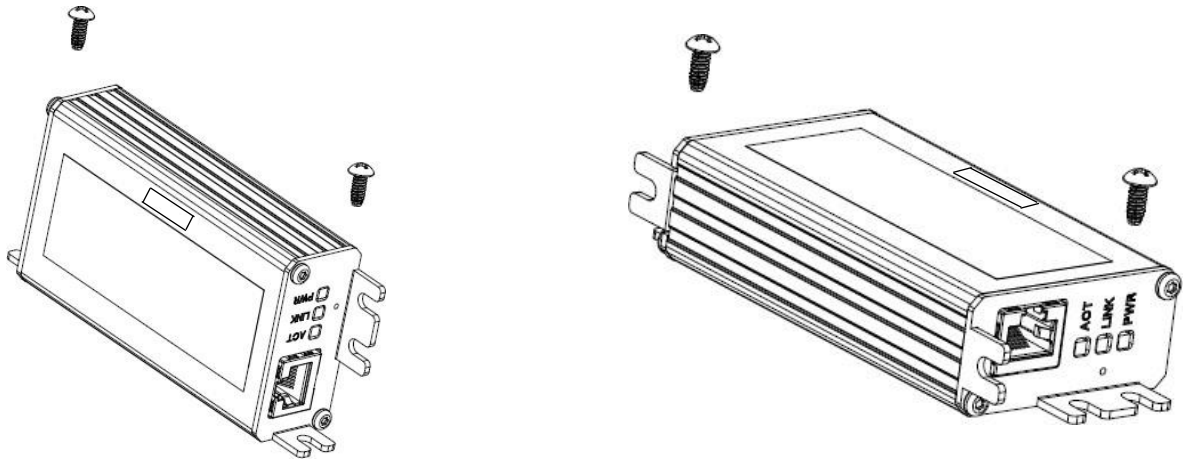


MOUNTING HOLE LOCATION, OFFSET MOUNTING HOLES FOR A #8-32 SELF TAPPING SCREW



MOUNTING HOLE LOCATION, VERTICAL/CENTER MOUNTING

Step 2. Use two #8 self-tapping screws to mount the PoE Gateway as shown (screws not provided):



Step 3. Snap in the RJ45 connector into the Gateway as shown (fig. 1). Snap the 4ckt Micro-Fit 3.0 Harness Connector into the female connector as shown below (fig. 2) Poke tinned wire “LED +” and “LED -” into poke-in connector in “CH1 +/-”.

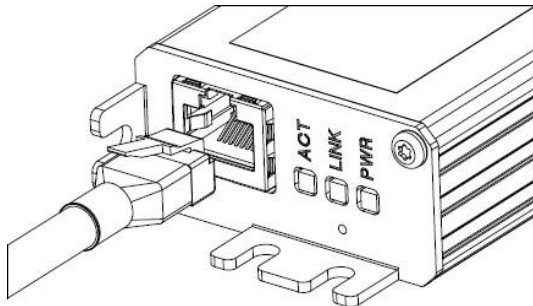


fig. 1

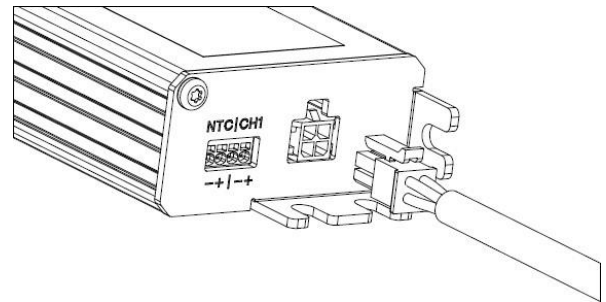


fig. 2

**Please note the Power LED indicator will turn on once you have power. The LINK and ACTIVE indicators will blink on and off rapidly once you have network connection.*

3. Calculating Max Connected Devices

The Cisco UPOE standard delivers up to 60W at the input of the Gateway. Using this number and the max power consumption of 5.7W for this Gateway, provides 54.3W of connected devices. Please use individual data sheets of the connected devices in tandem with the CoreSync Harness Length Calculator to determine the maximum power consumption. Typical design calls for 51W at the input of the Gateway with 5.3W of power consumption to account for cable losses, providing 45.7W of connected devices. Maximum LED power output is 43.2W at 24V. For further details please refer to the CoreSync Academy Module “Device Layout & Design Overview”.